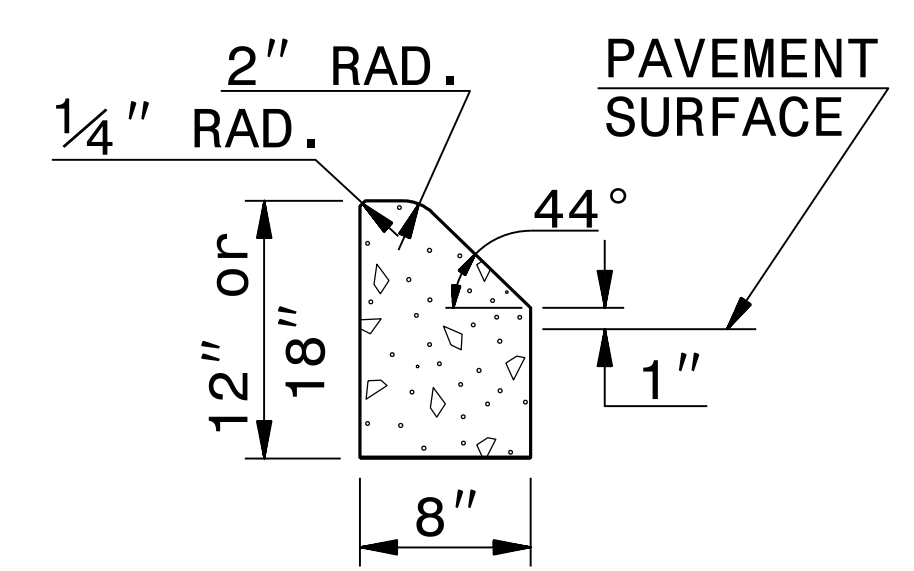
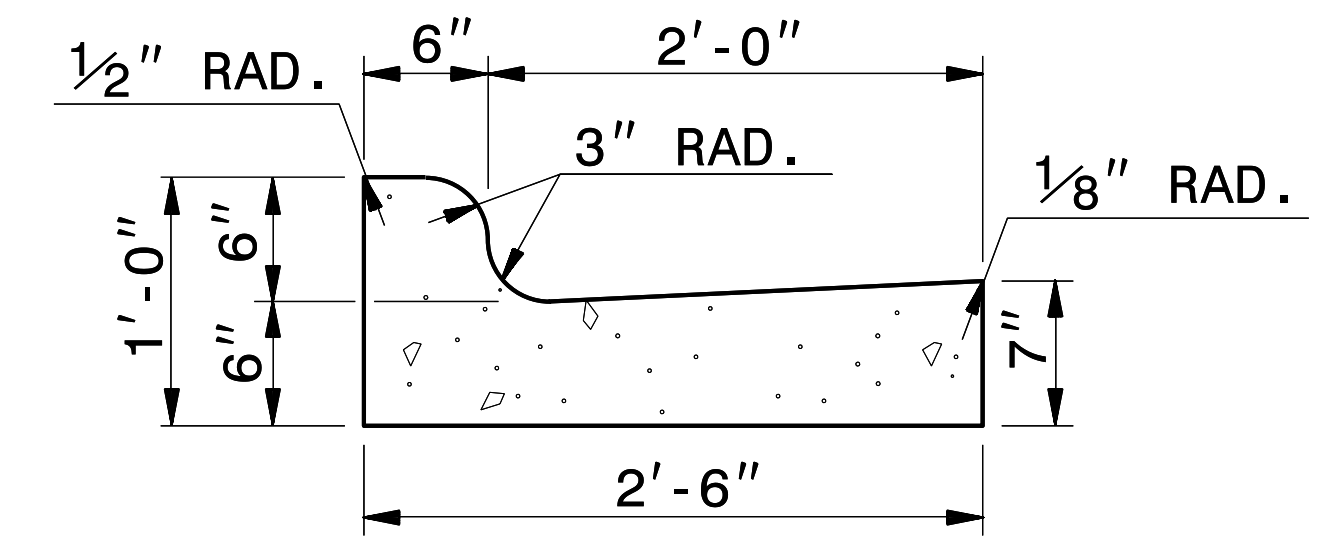


5/14/99

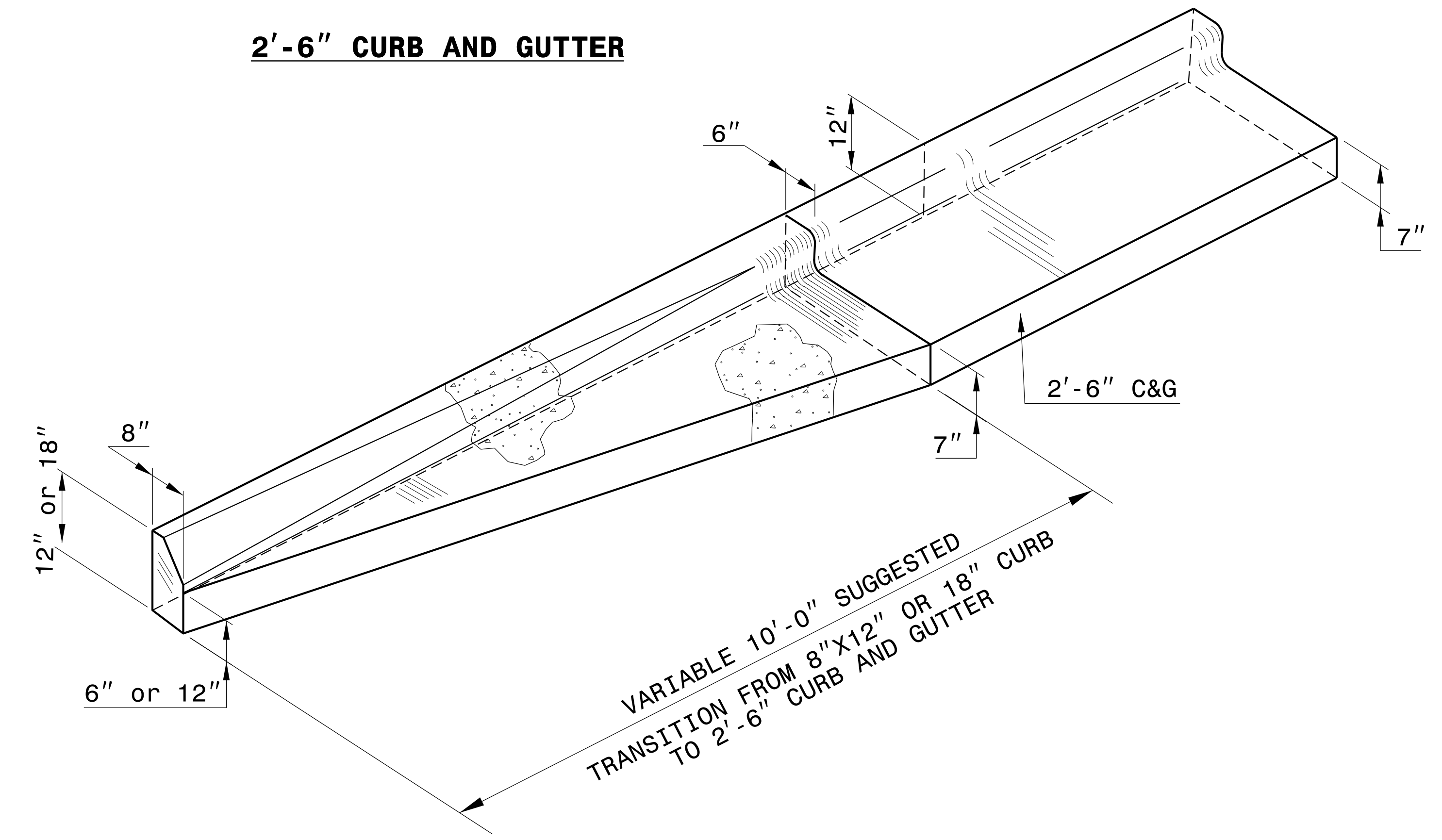
*NOTE: SEE STD. DWG. 846.01
FOR GENERAL NOTES



8" X 12" or 18" CONCRETE CURB



2'-6" CURB AND GUTTER



ISOMETRIC VIEW OF TRANSITION



DOCUMENT NOT CONSIDERED FINAL
UNLESS ALL SIGNATURES COMPLETED

CONTRACT STANDARDS AND DEVELOPMENT UNIT	
Office 919-707-6950	FAX 919-250-4119
DETAIL OF 8" X 12" or 18" CURB TO 2'-6" CURB & GUTTER TRANSITION SECTION	
ORIGINAL BY: _____	DATE: _____
MODIFIED BY: K. KEMPF	DATE: 4-05-18
CHECKED BY: _____	DATE: _____
FILE SPEC.: details/ericward/usr/details/stand/cgtransit.dgn	

I:\3-MAR-2019_09450
 S:\Contracts\Contractors\Special Details\ericward\usr\details\stand\c&g transition sections.dgn
 .jhoverton AT USD-292595