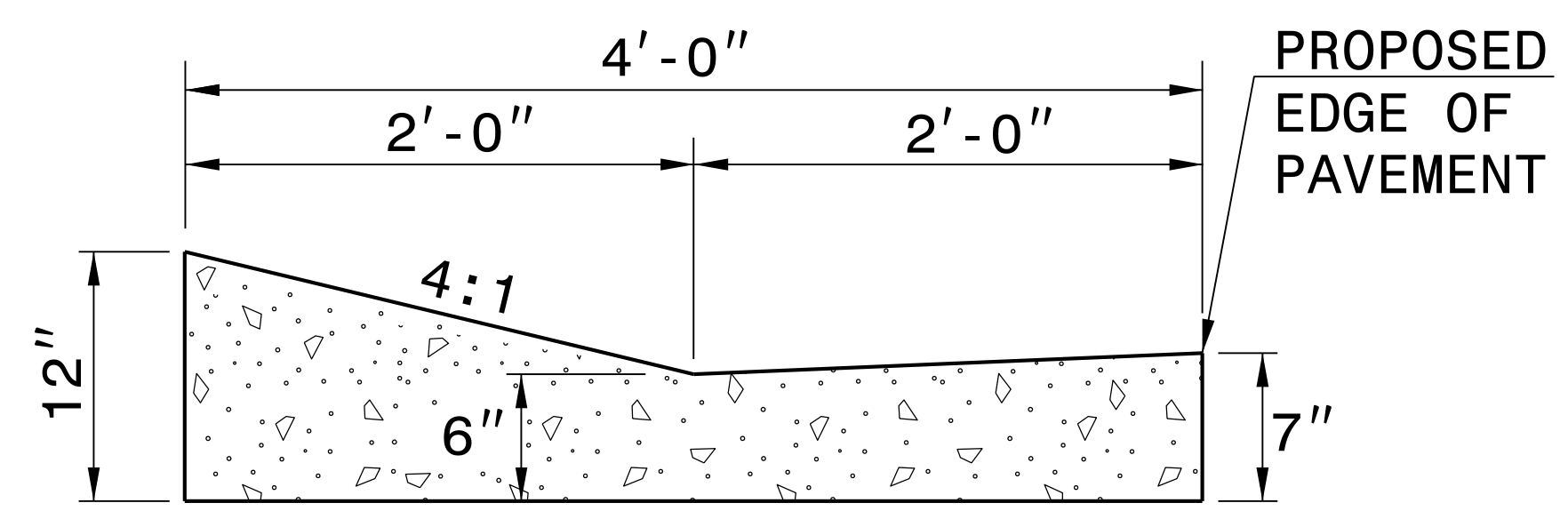
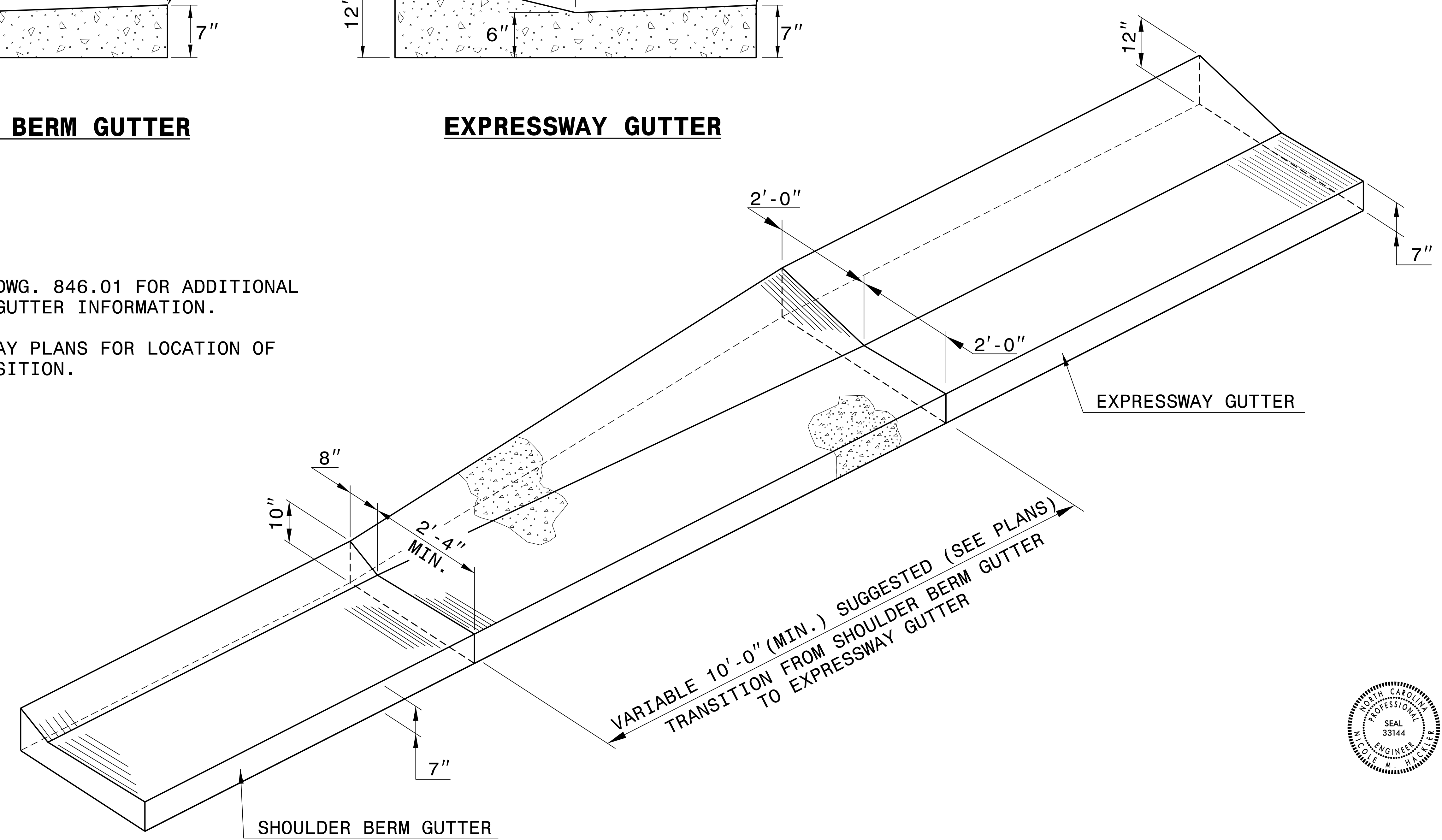


SHOULDER BERM GUTTER

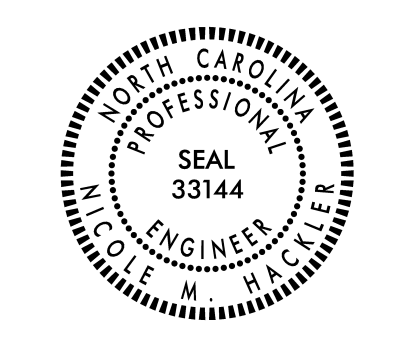


EXPRESSWAY GUTTER

NOTE: SEE STD. DWG. 846.01 FOR ADDITIONAL CURB AND GUTTER INFORMATION.
SEE ROADWAY PLANS FOR LOCATION OF CURB TRANSITION.



ISOMETRIC VIEW OF TRANSITION



DOCUMENT NOT CONSIDERED FINAL
UNLESS ALL SIGNATURES COMPLETED

CONTRACT STANDARDS AND DEVELOPMENT UNIT
Office 919-707-6950 FAX 919-250-4119
DETAIL OF SHOULDER BERM GUTTER TO EXPRESSWAY GUTTER TRANSITION SECTION

ORIGINAL BY: T.S. Spell DATE: 8-13-02
MODIFIED BY: DATE:
CHECKED BY: DATE:
FILE SPEC.: w:usr/details/stand/cgtransit.dgn

5/14/99
04-JUN-2019 10:25
S:\Contracts\Contractors\Special Details\Vericard\usr\details\stand\c&g transition sections.dgn
Jhewerton AT USD-292595