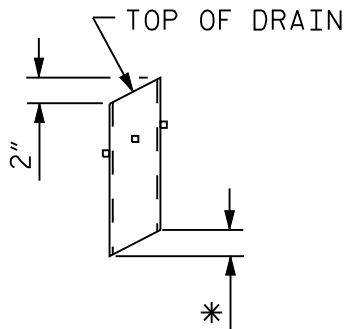
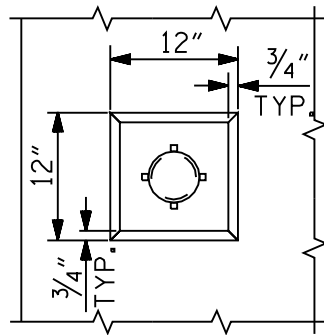


ELEVATION



* TO BE SET TO MATCH SLOPE OF BOTTOM OF OVERHANG (DRAINS REQUIRED)

PIPE DETAIL



PLAN OF RECESS

NOTES ON PLANS:

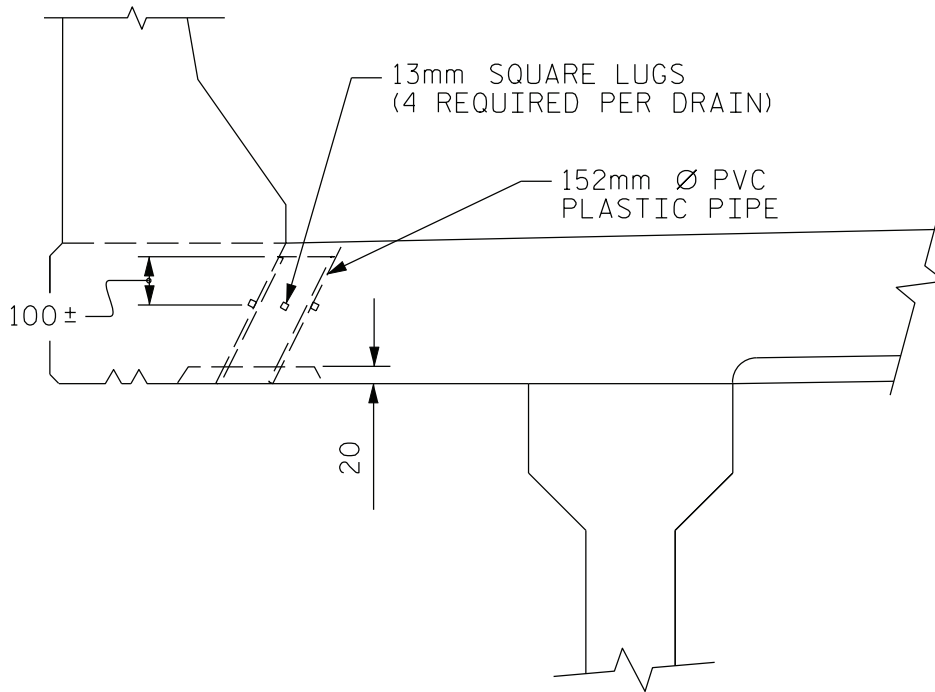
TOP OF FLOOR DRAIN TO BE SET $\frac{3}{8}$ " BELOW SURFACE OF SLAB.

4 - $\frac{1}{2}$ " SQUARE LUGS TO BE GLUED TO THE PVC PLASTIC PIPE AT EQUAL SPACES AROUND THE PIPE DRAIN APPROXIMATELY 4" FROM THE TOP OF THE PIPE.

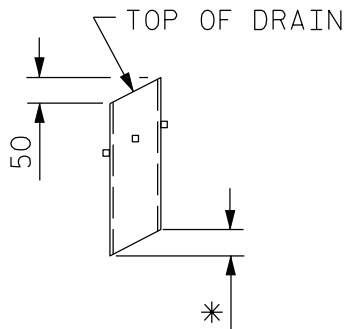
THE 6" Ø PVC PLASTIC PIPE AND FITTINGS SHALL BE SCHEDULE 40 AND CONFORM TO ASTM D1785.

DRAIN DETAILS

FIGURE 6 - 12

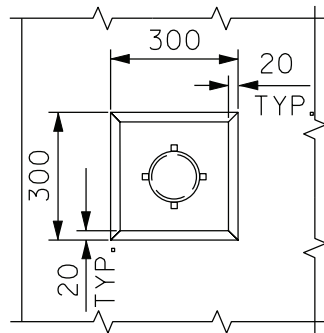


ELEVATION



* TO BE SET TO MATCH SLOPE
OF BOTTOM OF OVERHANG
(DRAINS REQUIRED)

PIPE DETAIL



PLAN OF RECESS

NOTES ON PLANS:

TOP OF FLOOR DRAIN TO BE SET 10mm BELOW SURFACE OF SLAB.

4 - 13mm SQUARE LUGS TO BE GLUED TO THE PVC PLASTIC PIPE AT EQUAL SPACES AROUND THE PIPE DRAIN APPROXIMATELY 100mm FROM THE TOP OF THE PIPE.

THE 152mm Ø PVC PLASTIC PIPE AND FITTINGS SHALL BE SCHEDULE 40 AND CONFORM TO ASTM D1785.

DRAIN DETAILS

FIGURE 6 - 12 M