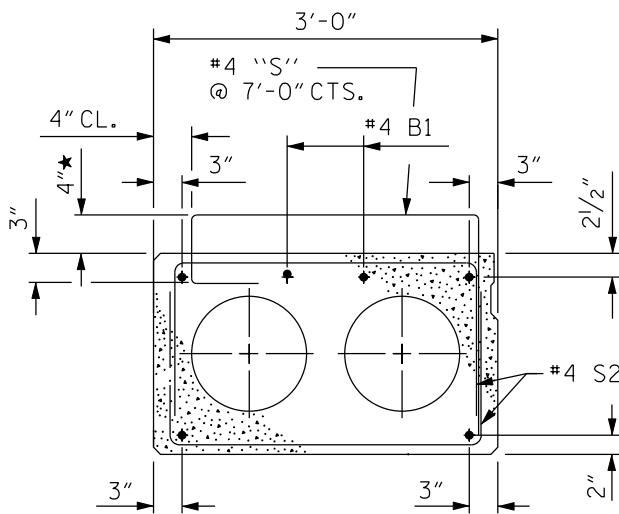
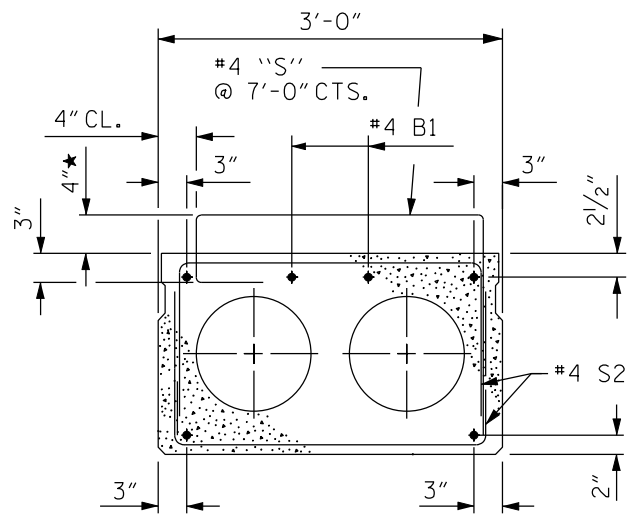


SECTION THROUGH SIDEWALK



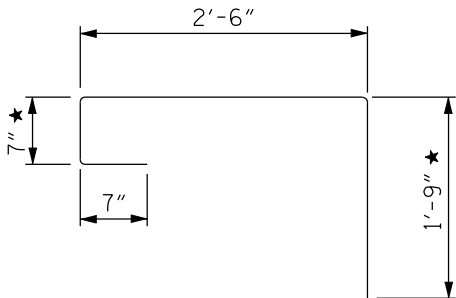
EXTERIOR SLAB
SIDEWALK SECTION

STRAND LAYOUT NOT SHOWN
(EXTERIOR SLAB SECTION)



INTERIOR SLAB
SIDEWALK SECTION

STRAND LAYOUT NOT SHOWN
(INTERIOR SLAB SECTION ADJACENT
TO EXTERIOR SLAB SECTION)



S-S BAR DETAIL

NOTE TO DESIGNER:
WHEN DETAILING FOR A FUTURE
SIDEWALK, THE EMBEDDED S-S BARS
ARE NOT REQUIRED.

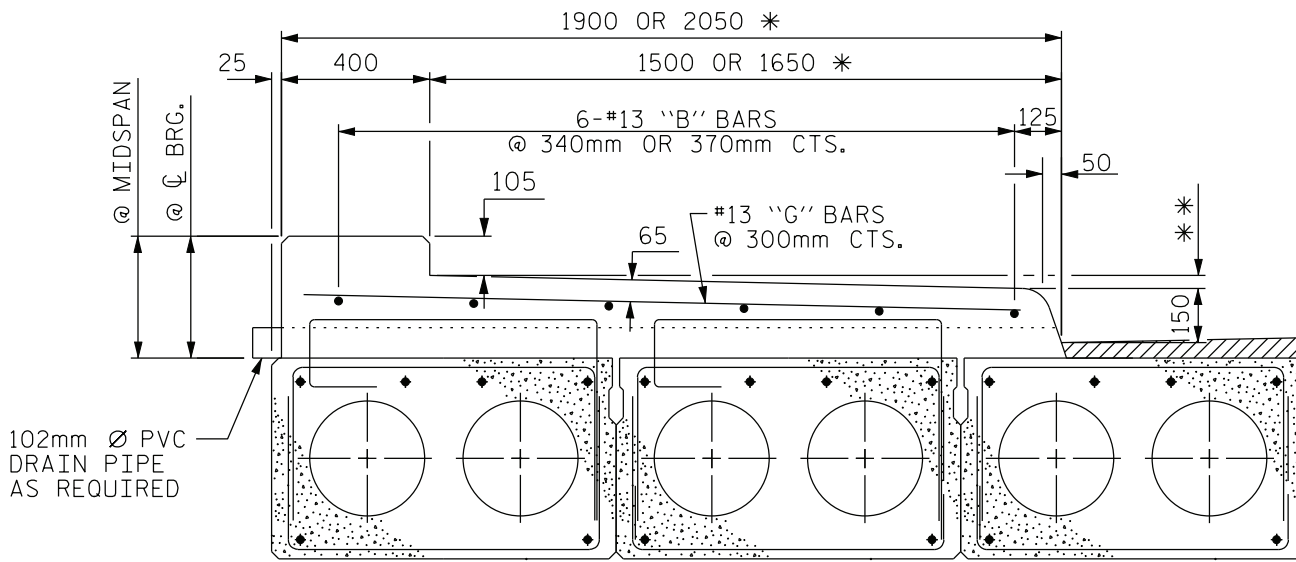
- ** 1/4" FOR 5'-0" SIDEWALK OR 3/8" FOR 5'-6" SIDEWALK.
- * SIDEWALK WIDTH MAY BE INCREASED AS NECESSARY TO PROVIDE AN OVERALL STRUCTURE WIDTH THAT IS AN EVEN 3 FOOT INCREMENT.
- ★ DIMENSION IS BASED ON 2" WEARING SURFACE. ADJUST DIMENSION AS NEEDED.

NOTE ON PLANS:

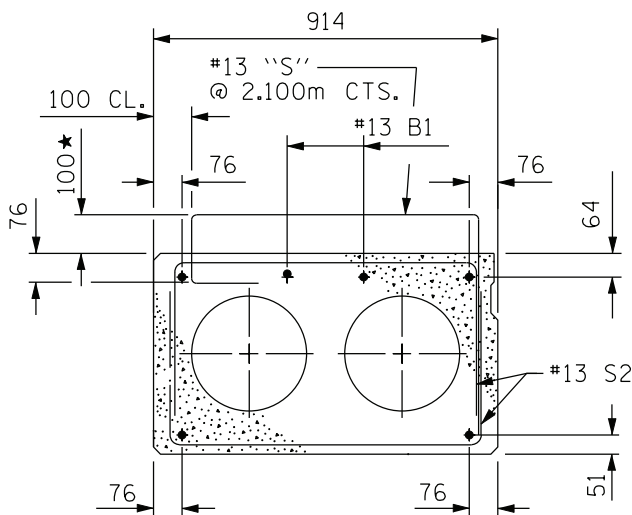
GROOVED CONTRACTION JOINTS 1/2" IN DEPTH, SHALL BE TOOLED IN ALL EXPOSED FACES OF SIDEWALK IN ACCORDANCE WITH ARTICLE 825-10(B) OF THE STANDARD SPECIFICATIONS. THE CONTRACTION JOINTS SHALL BE LOCATED AT A SPACING OF 8 FEET TO 10 FEET BETWEEN EXPANSION JOINTS. NO CONTRACTION JOINTS WILL BE REQUIRED FOR SEGMENTS LESS THAN 10 FEET IN LENGTH.

SIDEWALK ON CORED SLABS

FIGURE 6 - 17

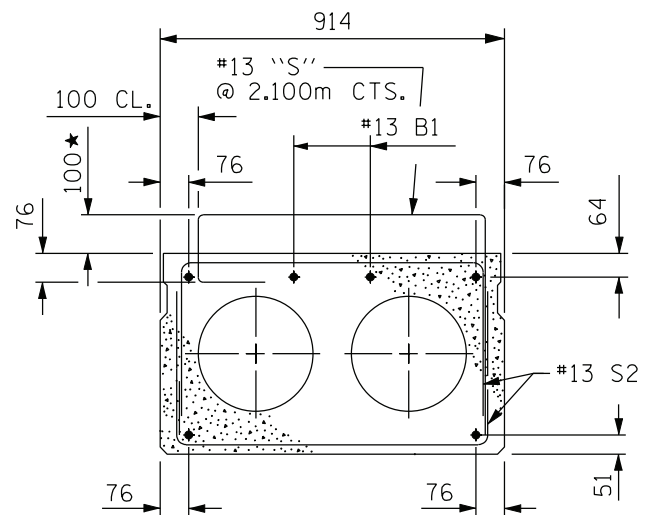


SECTION THROUGH SIDEWALK



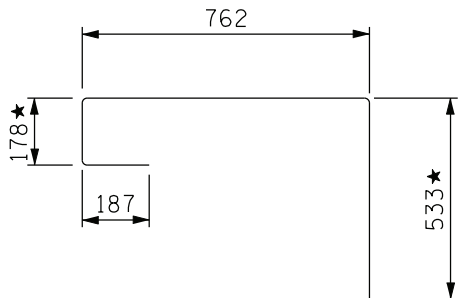
EXTERIOR SLAB
SIDEWALK SECTION

STRAND LAYOUT NOT SHOWN
(EXTERIOR SLAB SECTION)



INTERIOR SLAB
SIDEWALK SECTION

STRAND LAYOUT NOT SHOWN
(INTERIOR SLAB SECTION ADJACENT
TO EXTERIOR SLAB SECTION)



"S" BAR DETAIL

NOTE TO DESIGNER:
WHEN DETAILING FOR A FUTURE
SIDEWALK, THE EMBEDDED "S" BARS
ARE NOT REQUIRED.

** 30mm FOR 1500mm SIDEWALK OR 35mm FOR
1650mm SIDEWALK.

* SIDEWALK WIDTH MAY BE INCREASED AS NECESSARY TO
PROVIDE AN OVERALL STRUCTURE WIDTH THAT IS AN EVEN
914mm INCREMENT.

★ DIMENSION IS BASED ON 50mm WEARING SURFACE.
ADJUST DIMENSION AS NEEDED.

NOTE ON PLANS:

GROOVED CONTRACTION JOINTS 12mm IN DEPTH, SHALL BE
TOOLED IN ALL EXPOSED FACES OF SIDEWALK IN ACCORDANCE
WITH ARTICLE 825-10(B) OF THE STANDARD SPECIFICATIONS.
THE CONTRACTION JOINTS SHALL BE LOCATED AT A SPACING
OF 2.4 METERS TO 3.5 METERS BETWEEN EXPANSION JOINTS.
NO CONTRACTION JOINTS WILL BE REQUIRED FOR SEGMENTS
LESS THAN 3.5 METERS IN LENGTH.

SIDEWALK ON CORED SLABS

FIGURE 6 - 17 M