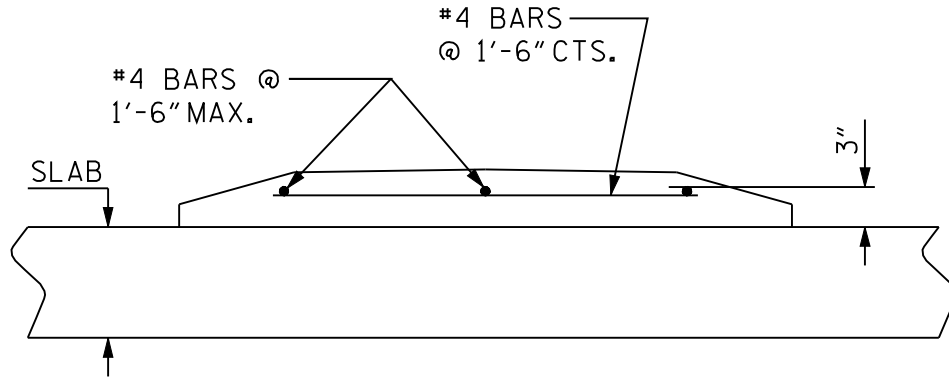
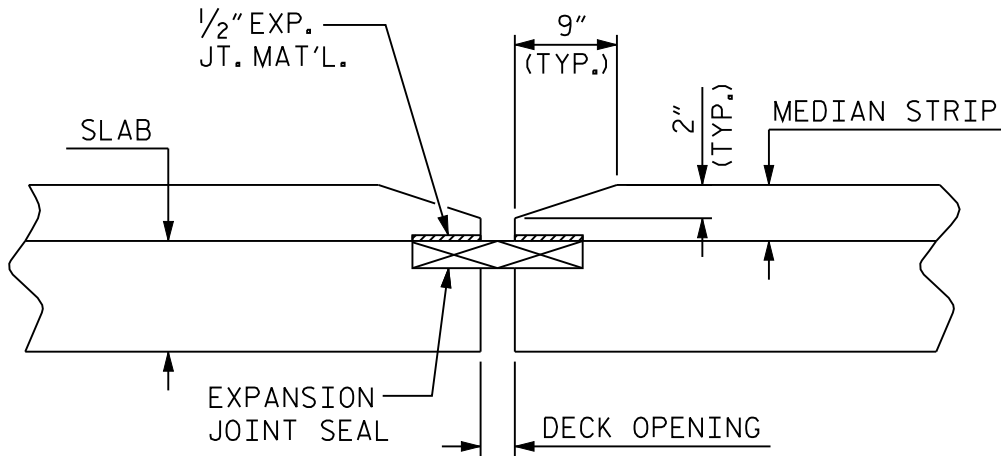


NOTE ON THE PLANS:

ALL REINFORCING STEEL IN CONCRETE MEDIANS SHALL BE EPOXY COATED.



REINFORCING STEEL DETAILS



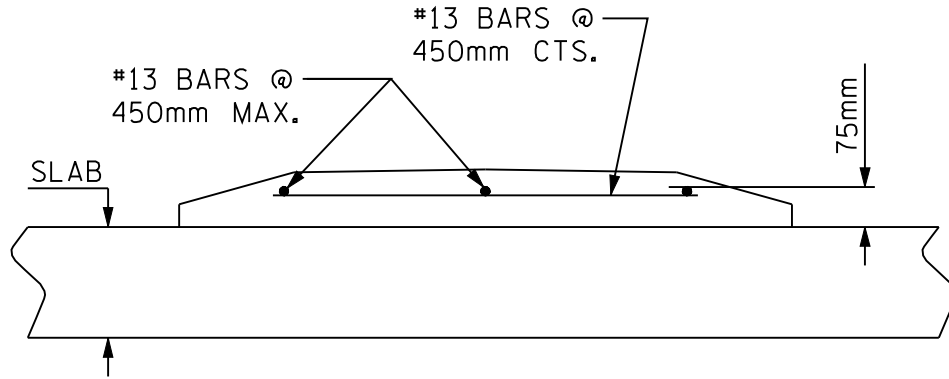
DETAILS AT EXPANSION JOINT

PERMANENT CONCRETE MEDIAN
STRIP ON BRIDGE

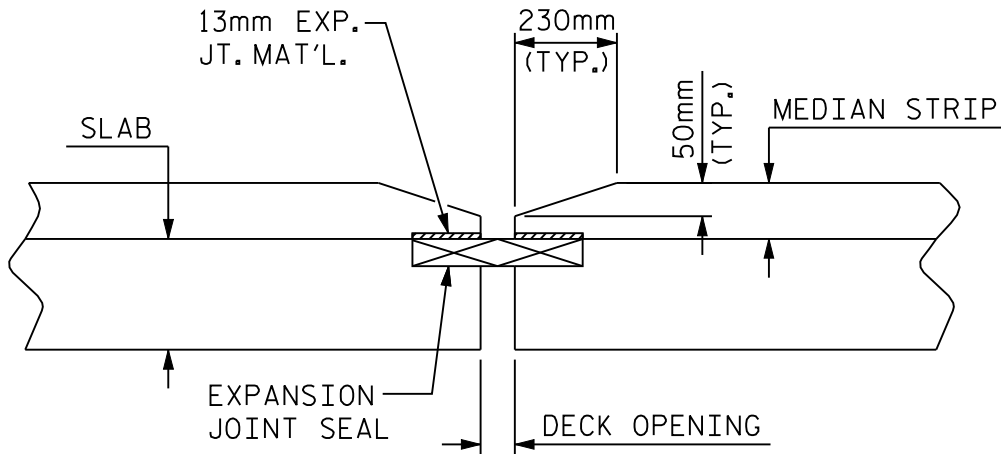
FIGURE 6 - 19

NOTE ON THE PLANS:

ALL REINFORCING STEEL IN CONCRETE MEDIANS SHALL BE EPOXY COATED.



REINFORCING STEEL DETAILS



DETAILS AT EXPANSION JOINT

PERMANENT CONCRETE MEDIAN STRIP ON BRIDGE

FIGURE 6 - 19 M