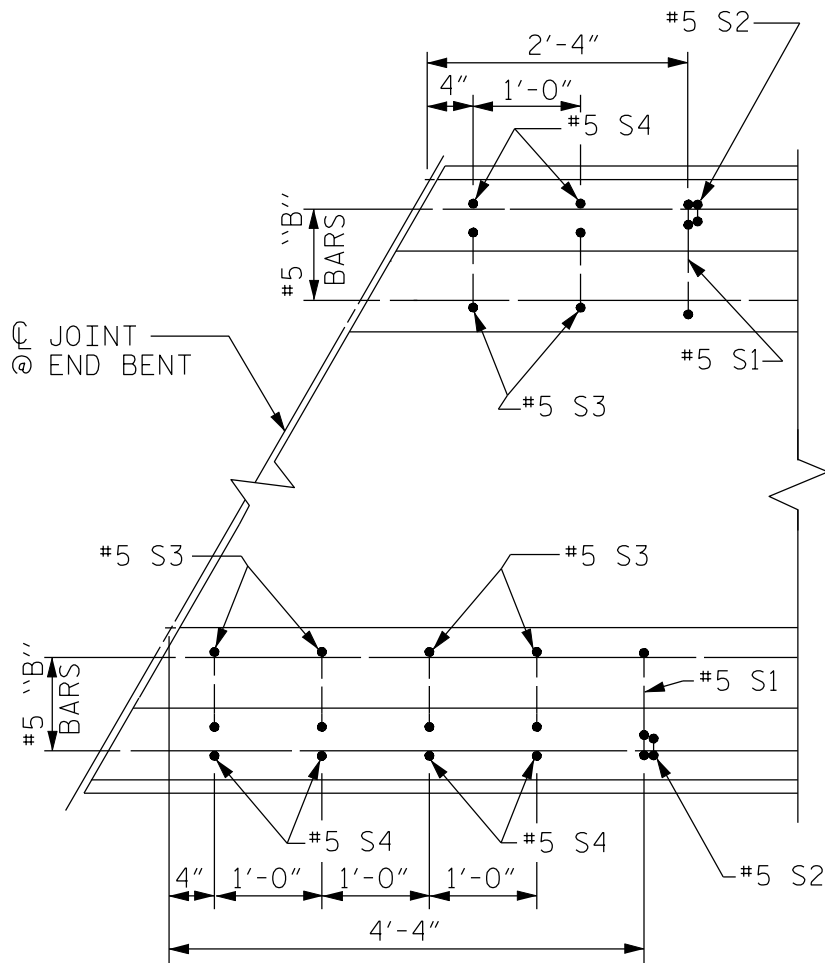
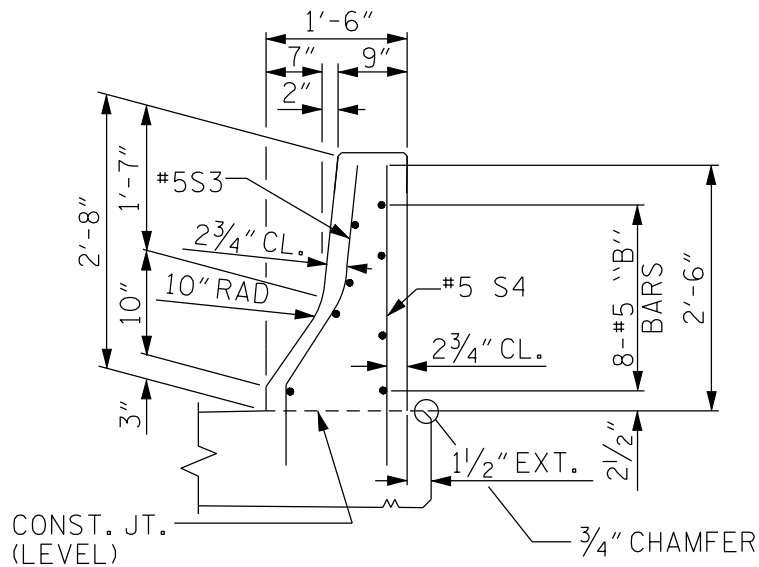


NOTE TO DETAILER:

SEE FIGURE 6-24 FOR S1 BAR DETAILS.



PLAN



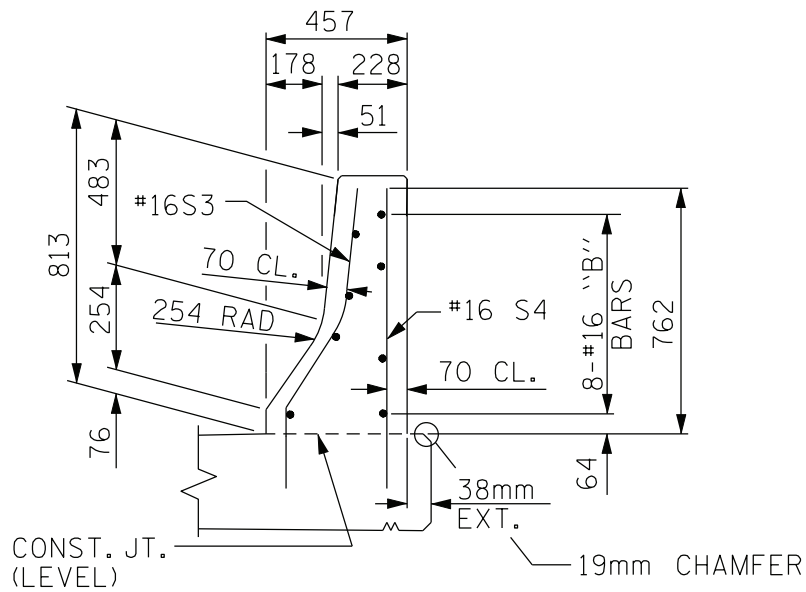
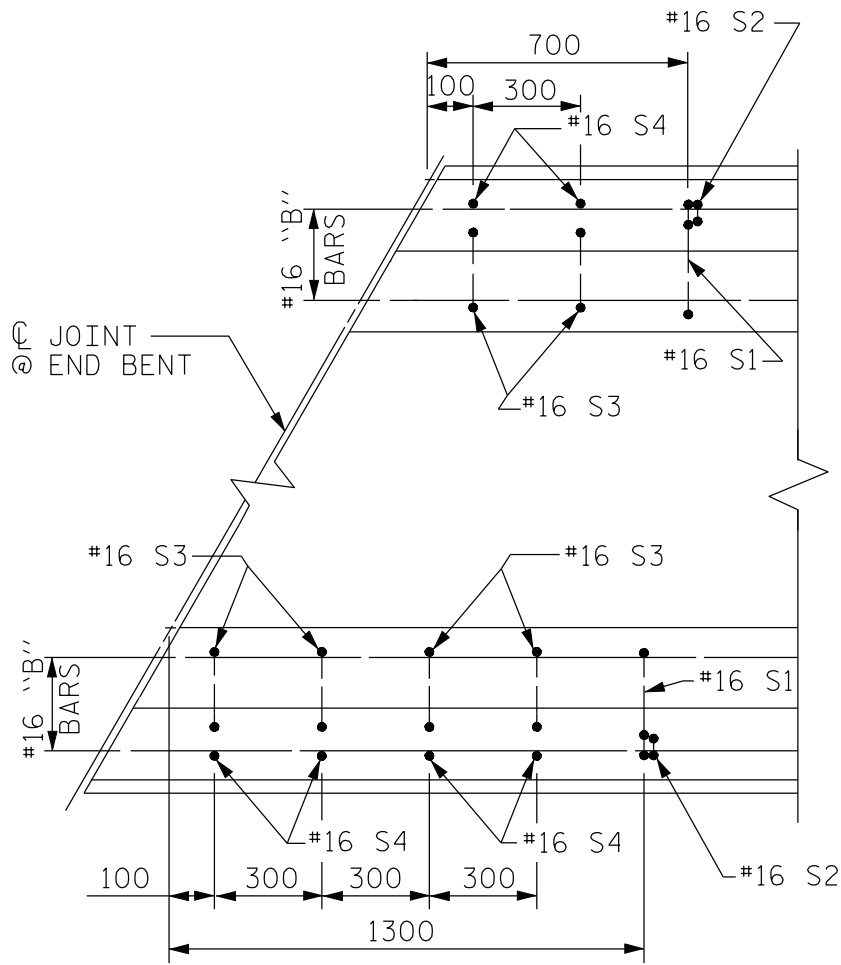
END VIEW

END OF RAIL DETAILS

(FOR ADHESIVE ANCHORING AT SAWED JOINTS)  
(WITHOUT WEARING SURFACE)

FIGURE 6 - 21

NOTE TO DETAILER:  
SEE FIGURE 6-24 FOR  
S1 BAR DETAILS.



END OF RAIL DETAILS

(FOR ADHESIVE ANCHORING AT SAWED JOINTS)  
(WITHOUT WEARING SURFACE)

**FIGURE 6 - 21 M**