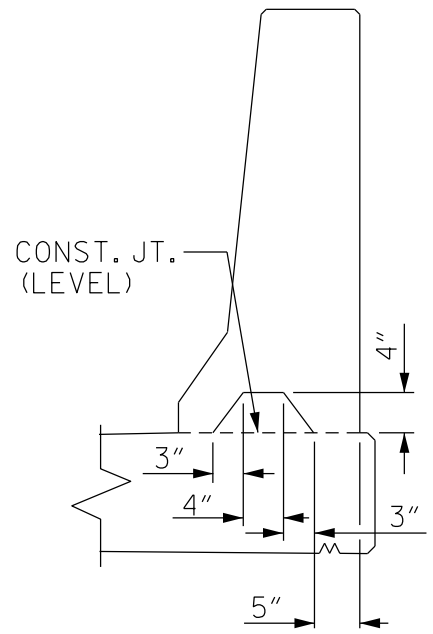
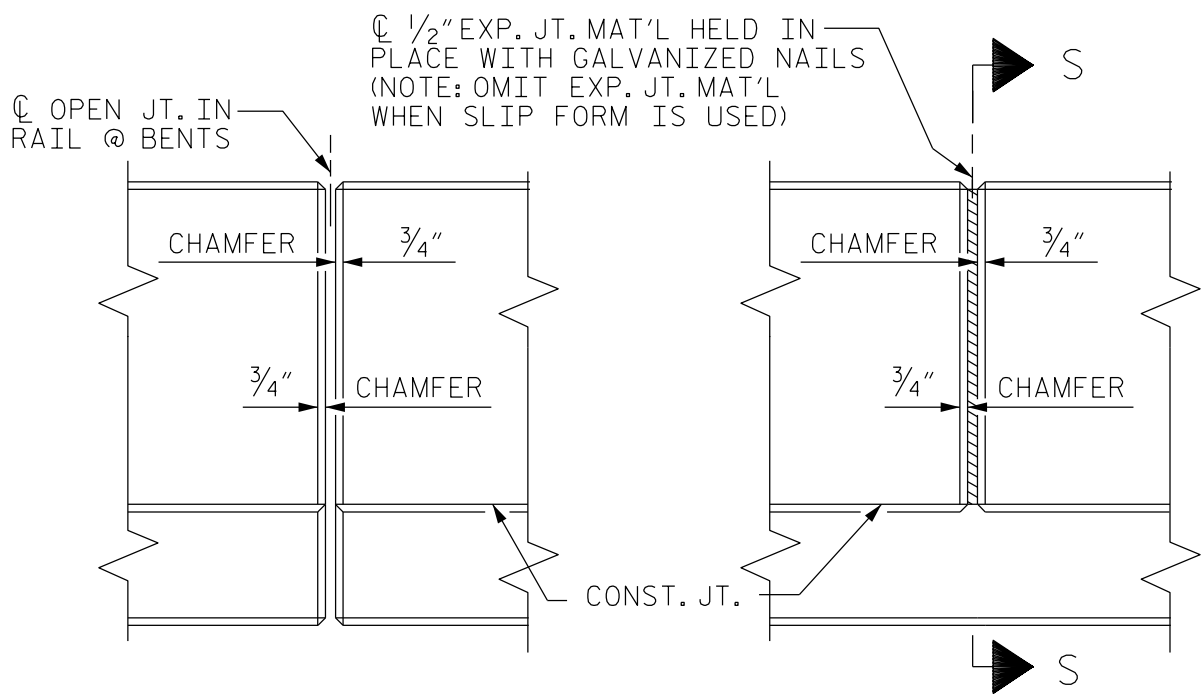


SECTION THRU RAIL



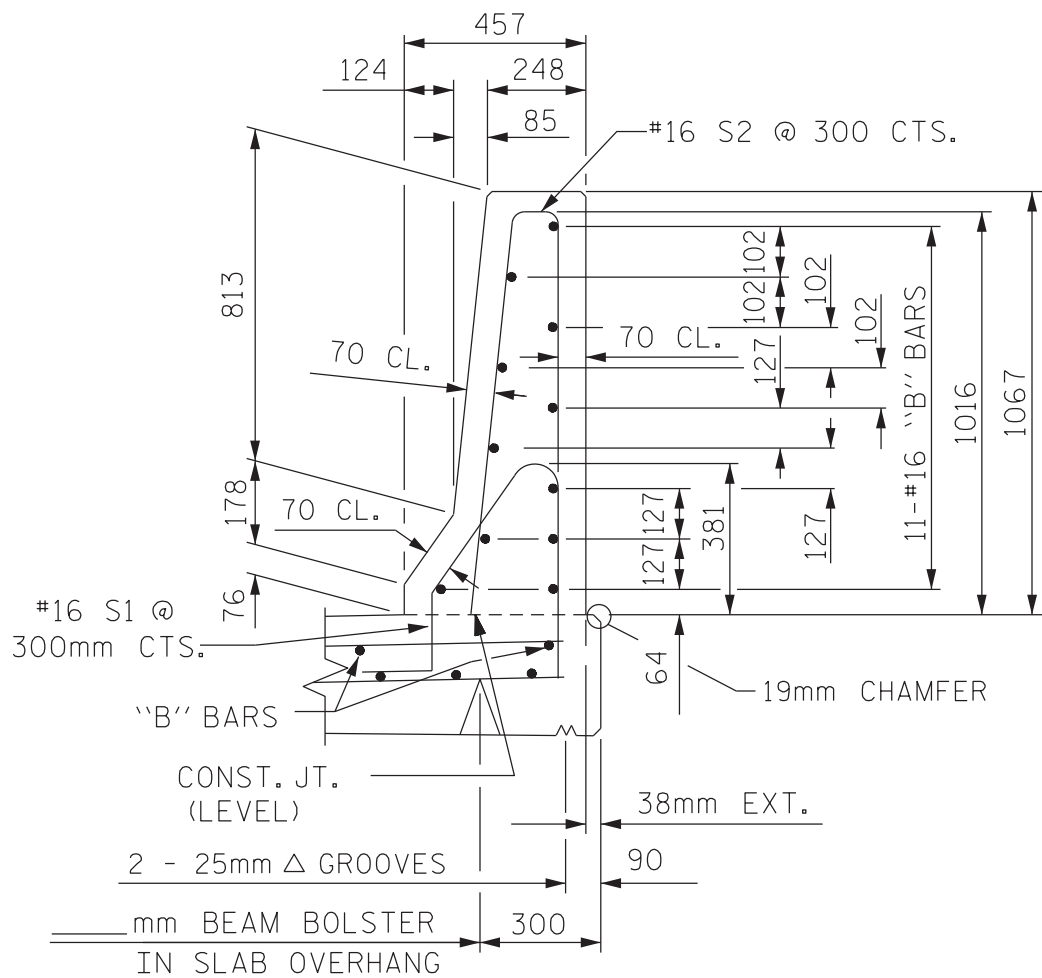
SECTION S-S
AT DAM IN OPEN JOINT
(THIS IS TO BE USED ONLY
WHEN SLIP FORM IS USED)



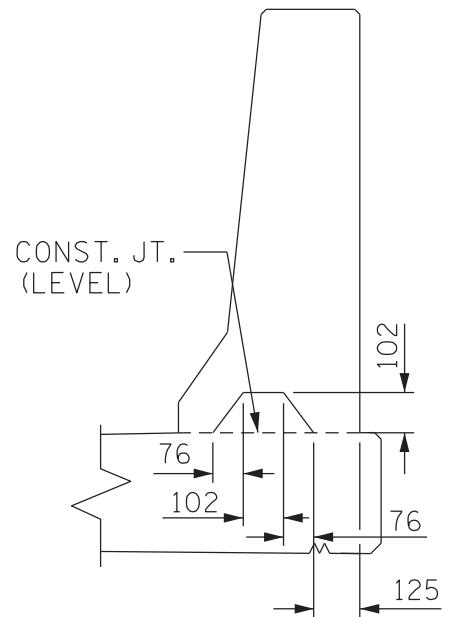
ELEVATION AT EXPANSION JOINTS

42" BARRIER RAIL DETAILS

FIGURE 6 - 22

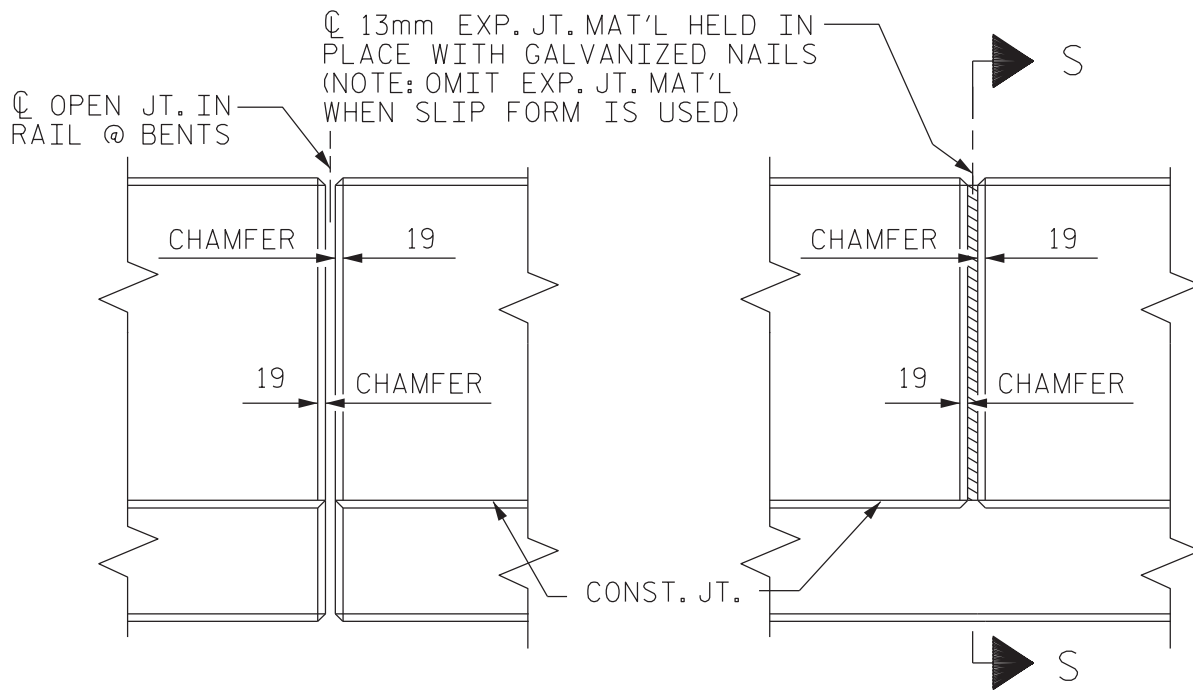


SECTION THRU RAIL



SECTION S-S

AT DAM IN OPEN JOINT
(THIS IS TO BE USED ONLY
WHEN SLIP FORM IS USED)



ELEVATION AT EXPANSION JOINTS

1067mm BARRIER RAIL DETAILS

FIGURE 6 - 22 M