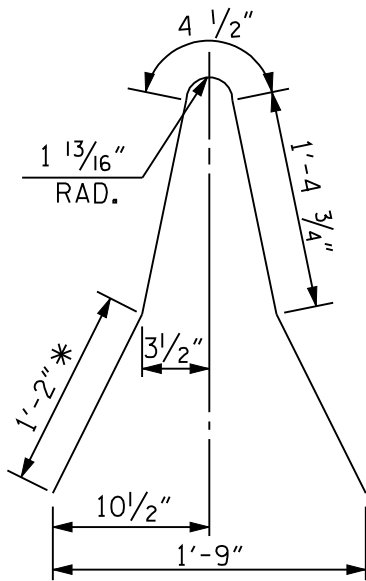
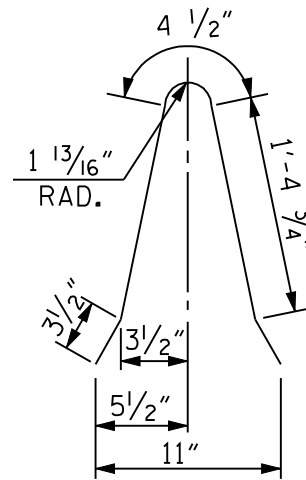


S22 (1'-10")

* ADD 2" TO THESE DIMENSIONS WHEN WEARING SURFACE IS USED ON DECK.



S21 (5'-6")

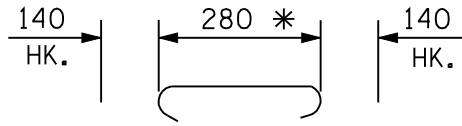


S23 (3'-9")

ALL BAR DIMENSIONS ARE OUT TO OUT.

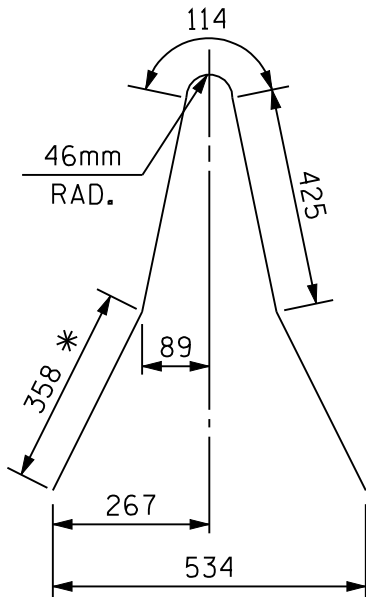
BAR TYPES - CONCRETE MEDIAN BARRIER
FOR RIGID PAVEMENT

FIGURE 6 - 31

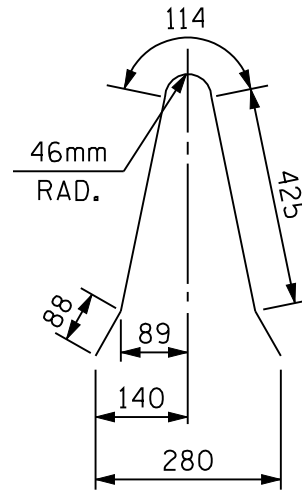


S22 (560mm)

* ADD 40mm TO THESE DIMENSIONS WHEN WEARING SURFACE IS USED ON DECK.



S21 (1680mm)



S23 (1140)

ALL BAR DIMENSIONS ARE OUT TO OUT.

BAR TYPES - CONCRETE MEDIAN BARRIER
FOR RIGID PAVEMENT

FIGURE 6 - 31 M