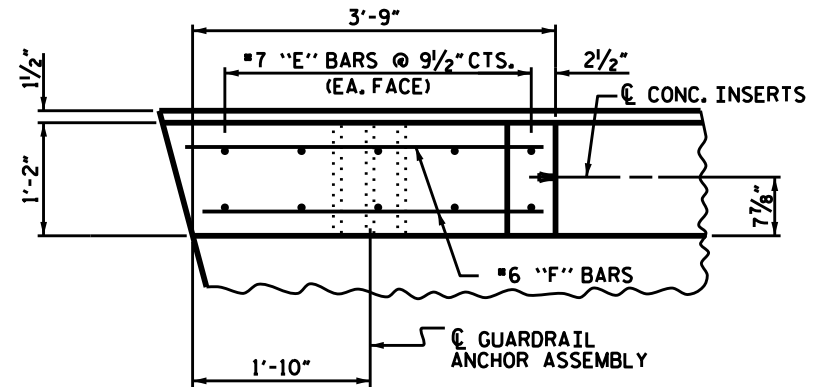
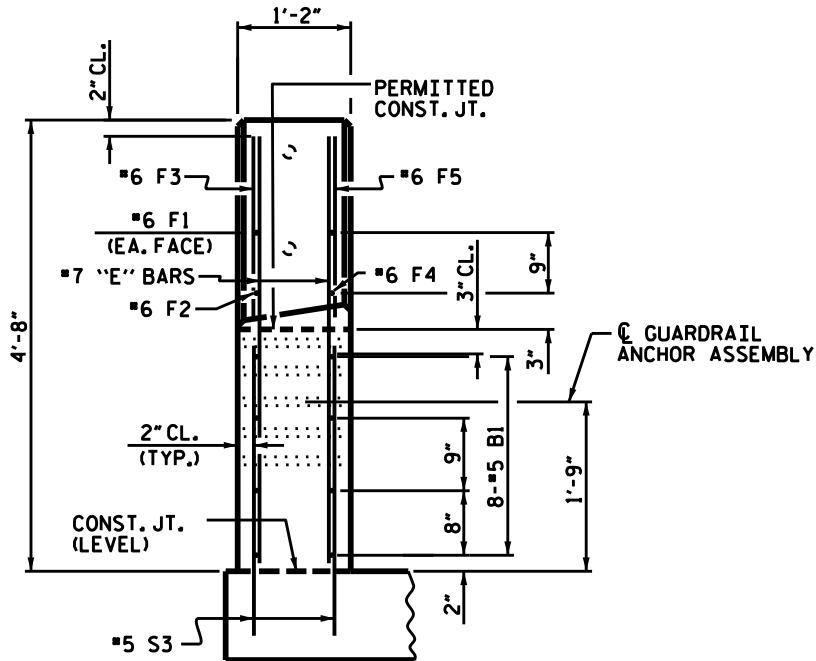


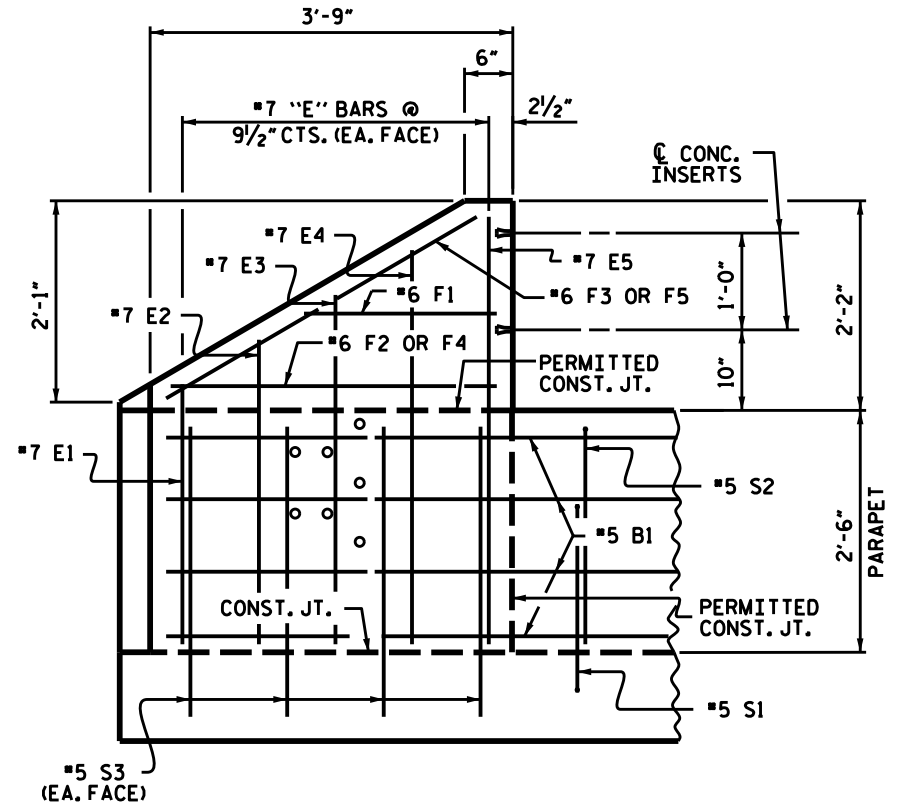
PLAN OF PARAPET



PLAN OF END POST



END VIEW



ELEVATION

PARAPET AND END POST FOR TWO BAR METAL RAIL