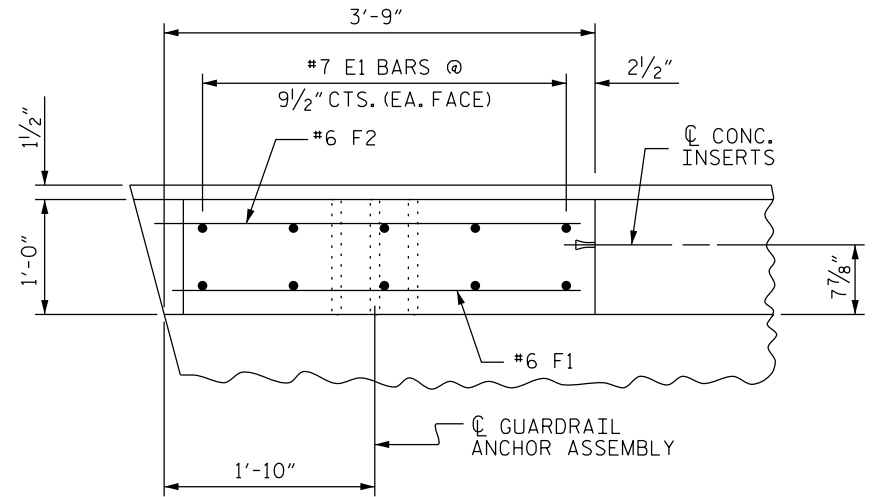
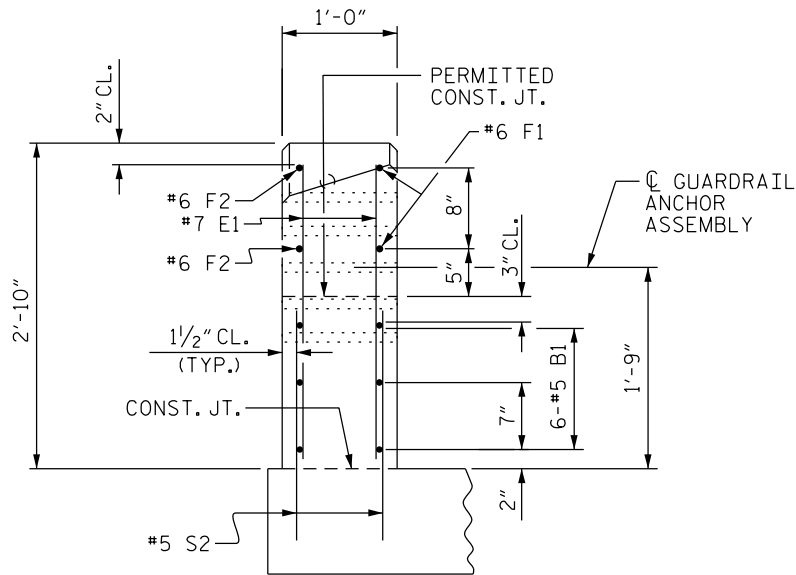


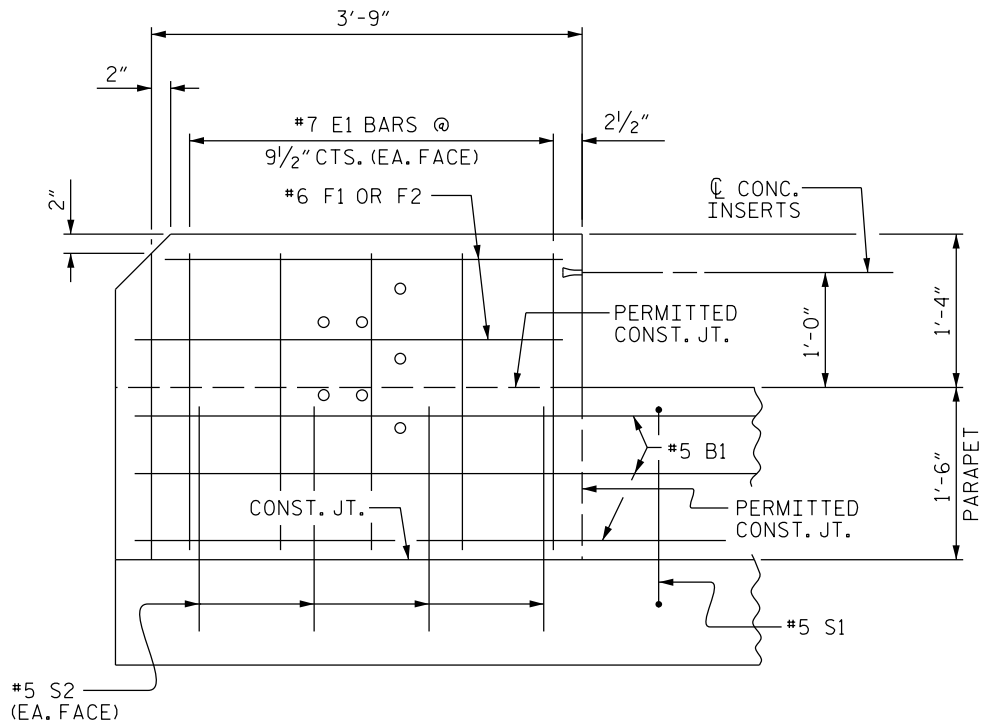
PLAN OF PARAPET



PLAN OF END POST



END VIEW



ELEVATION

PARAPET AND END POST FOR ONE BAR METAL RAIL

FIGURE 6 - 34