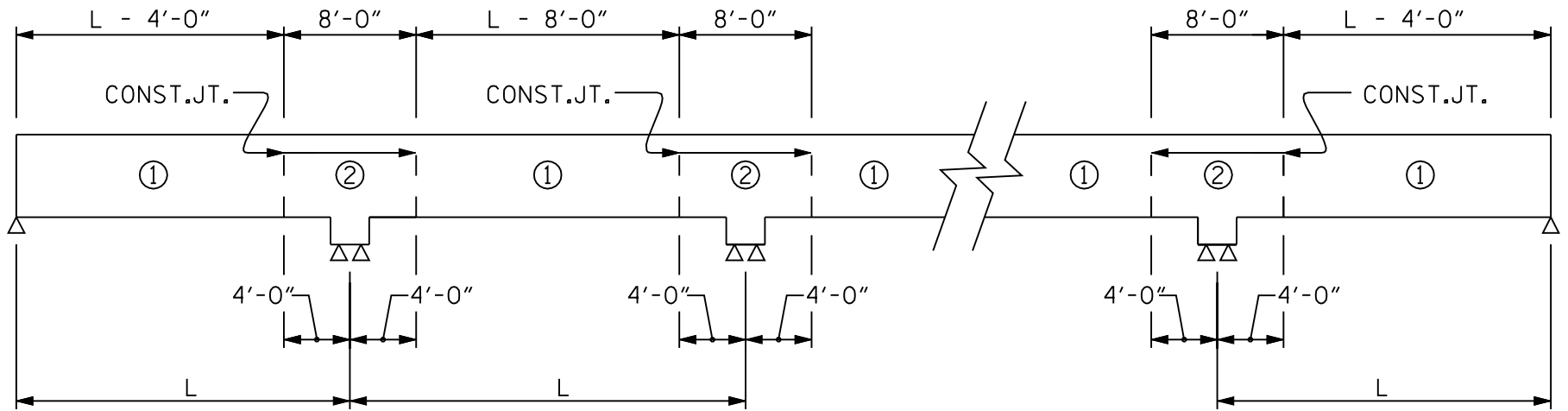


FIGURE 6 - 41



KEY

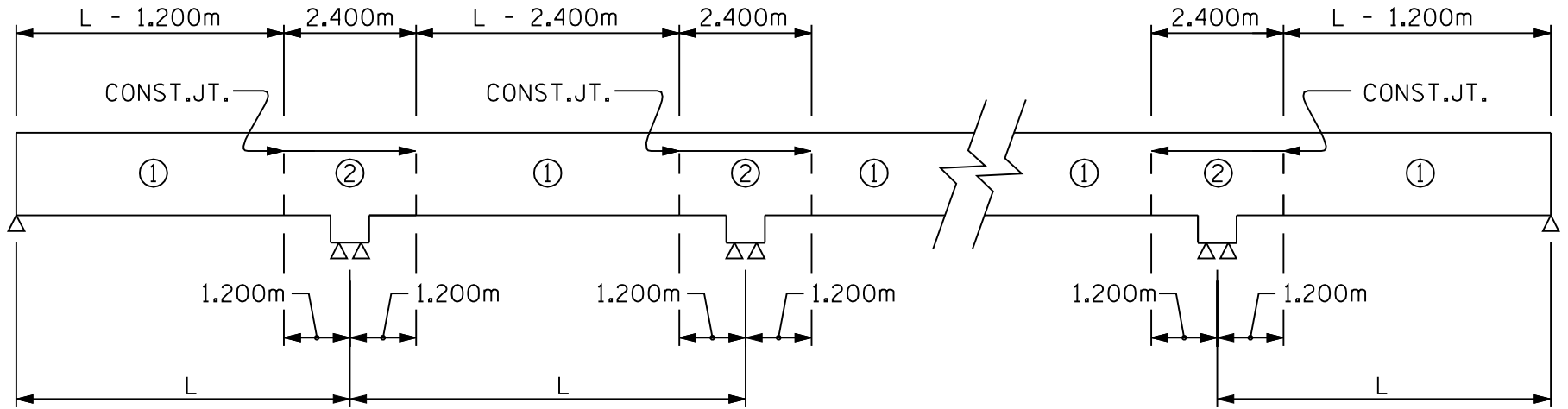
L = LENGTH OF EACH SPAN

* POUR ② CAN NOT BE STARTED UNTIL BOTH ADJACENT ① POURS REACH A MINIMUM OF 3000 PSI.

OPTIONAL POURING SEQUENCE
PRESTRESSED CONCRETE SUPERSTRUCTURE

(CONTINUOUS FOR LIVE LOAD)

FIGURE 6 - 41 M



KEY

L = LENGTH OF EACH SPAN

* POUR ② CAN NOT BE STARTED UNTIL BOTH ADJACENT ① POURS REACH A MINIMUM OF 20.7MPa.

OPTIONAL POURING SEQUENCE
PRESTRESSED CONCRETE SUPERSTRUCTURE

(CONTINUOUS FOR LIVE LOAD)