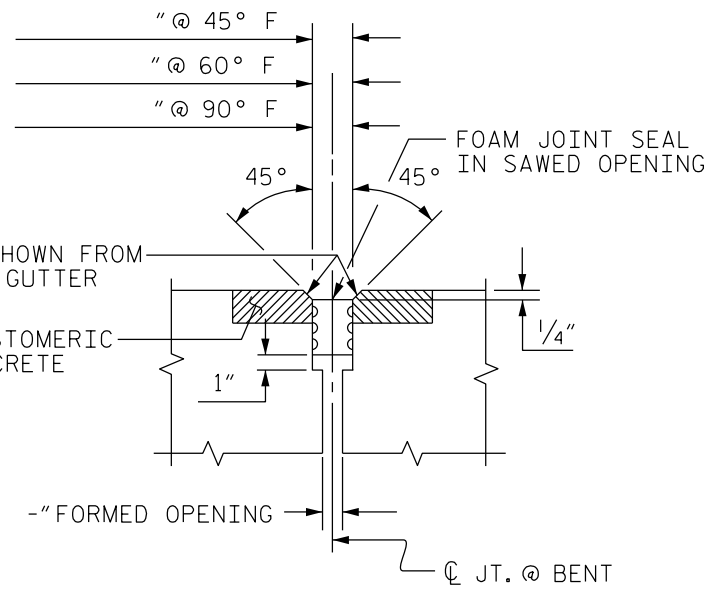
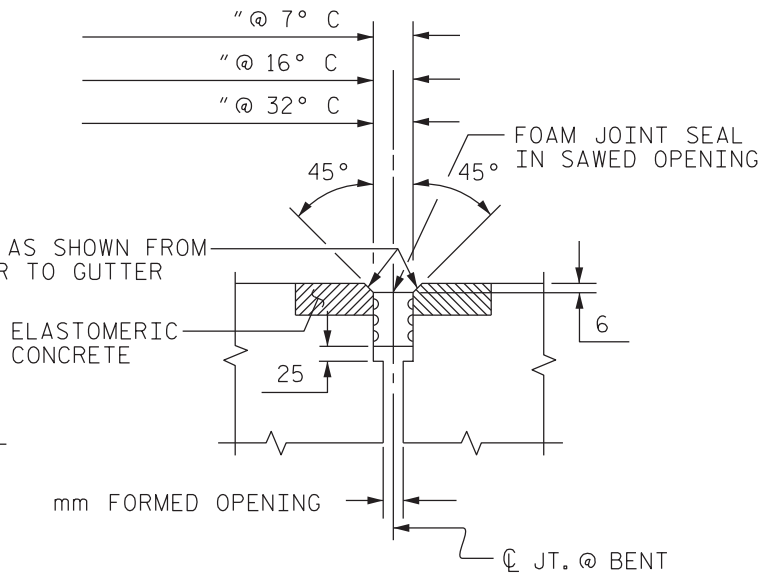
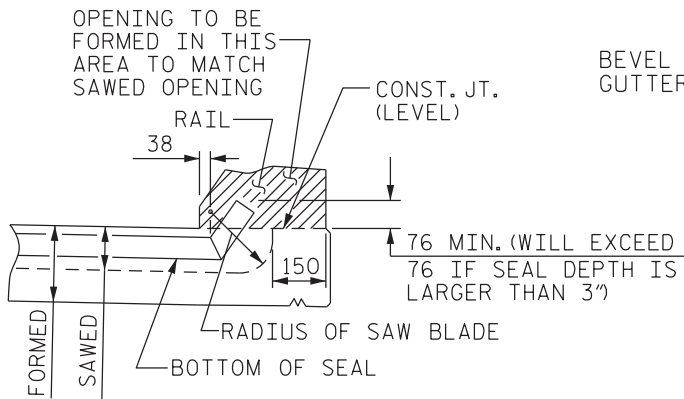
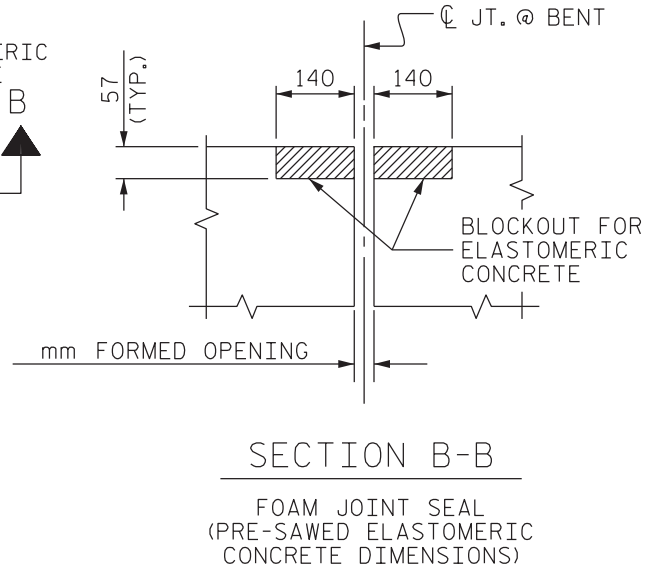
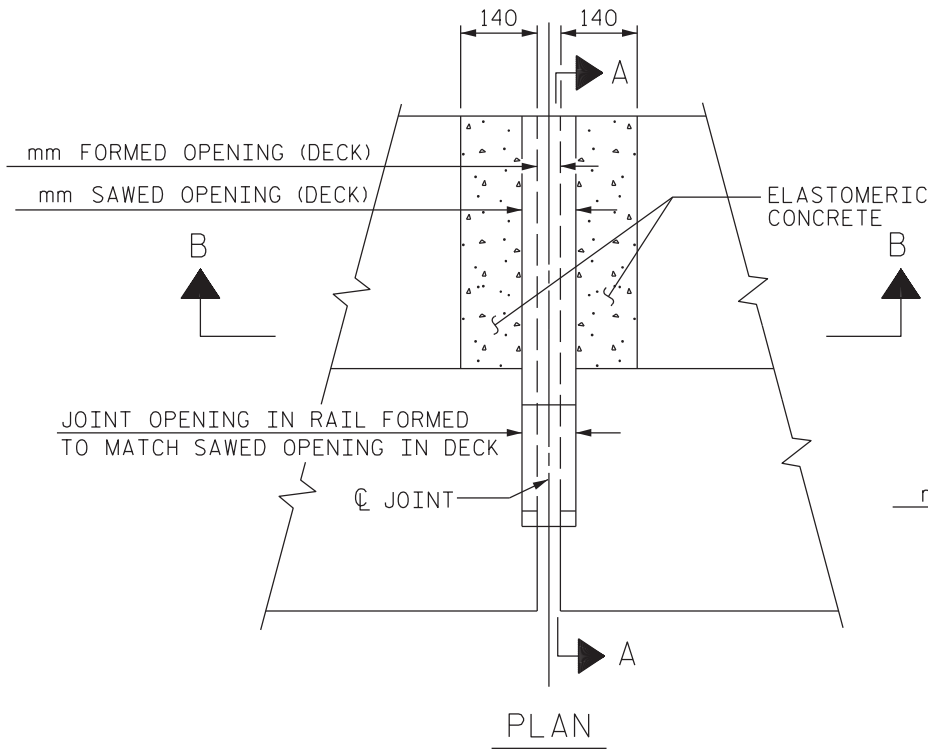


FOAM JOINT SEAL TO BE CUT, HEAT WELDED AND TURNED UP PARALLEL TO SLOPED FACE OF THE BARRIER RAIL.



TYPICAL FOAM JOINT SEAL DETAILS

FIGURE 6 - 45



FOAM JOINT SEAL TO BE CUT, HEAT WELDED AND TURNED UP PARALLEL TO SLOPED FACE OF THE BARRIER RAIL.

FOAM JOINT SEAL (FOR FOAM JOINT SEAL, SEE SPECIAL PROVISIONS)

TYPICAL FOAM JOINT SEAL DETAILS

FIGURE 6 - 45 M