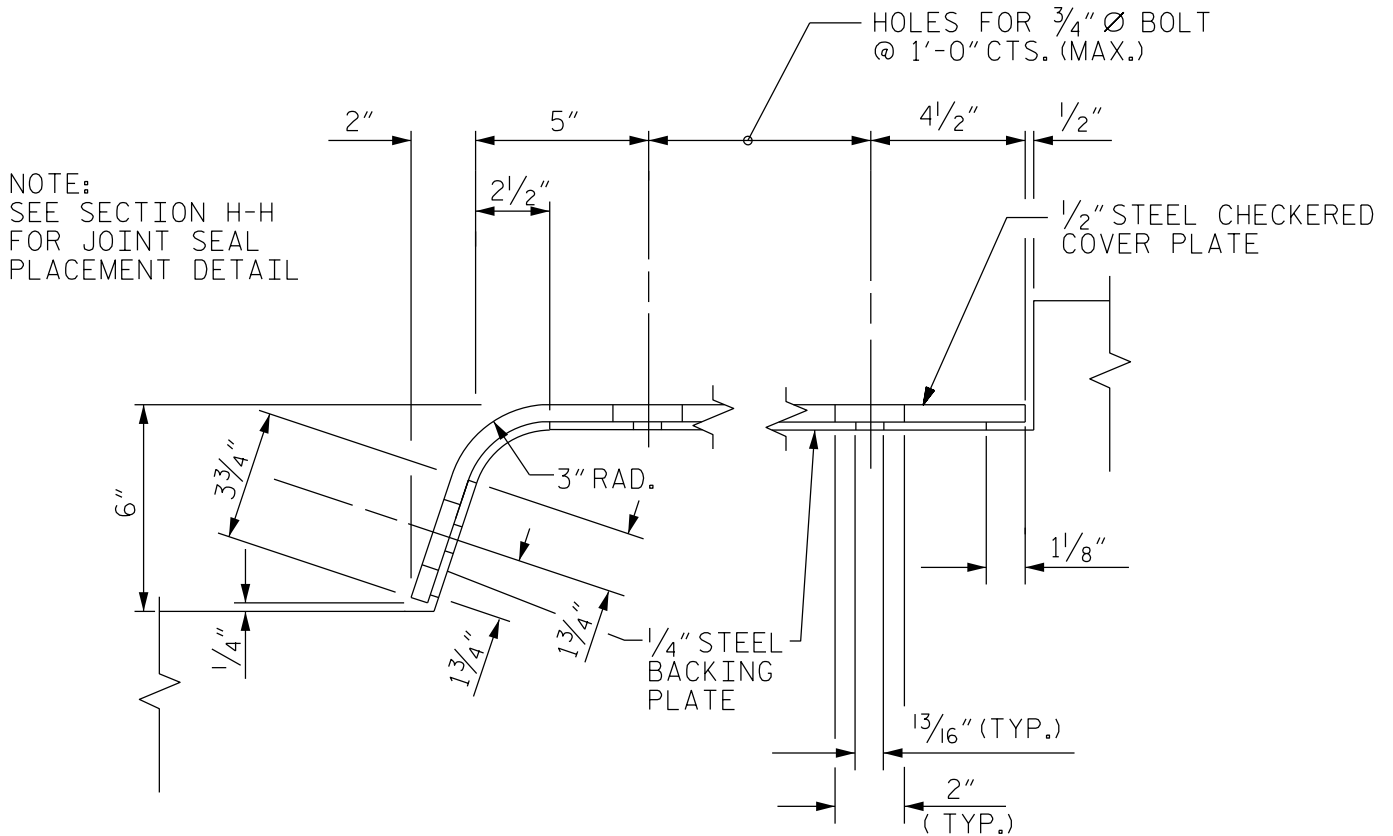


SECTION C-C

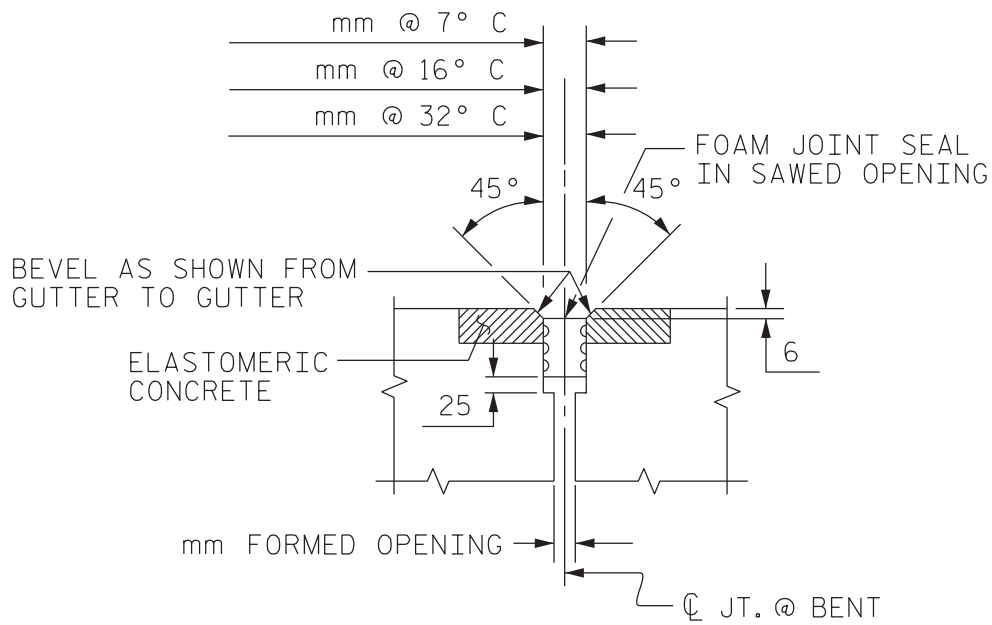
FOAM JOINT SEAL
 (FOR FOAM JOINT SEAL,
 SEE SPECIAL PROVISIONS)



SECTION I-I

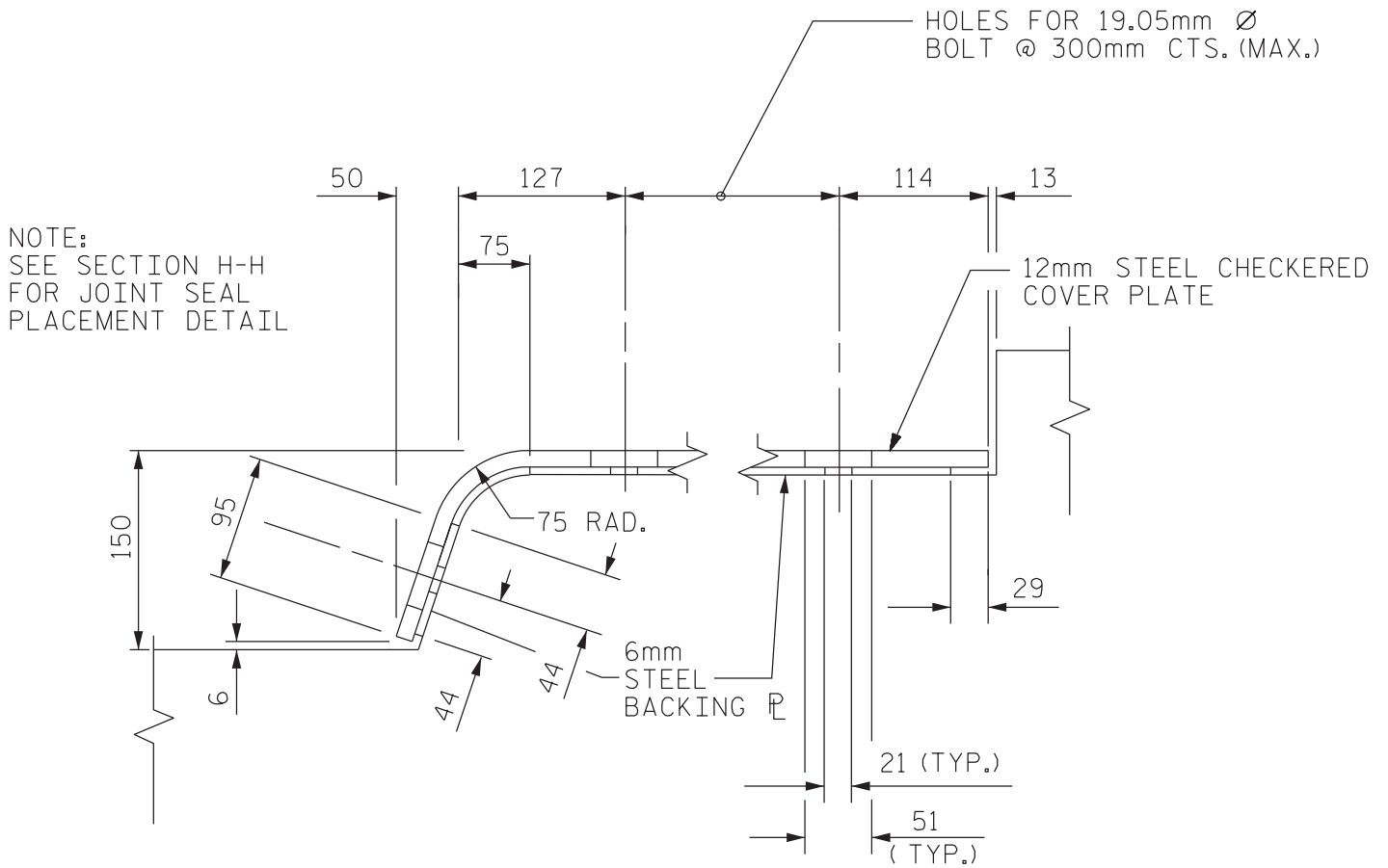
SIDEWALK WITH FOAM JOINT SEAL

FIGURE 6 - 47



SECTION C-C

FOAM JOINT SEAL
 (FOR FOAM JOINT SEAL,
 SEE SPECIAL PROVISIONS)



SECTION I-I

SIDEWALK WITH FOAM JOINT SEAL

FIGURE 6 - 47 M