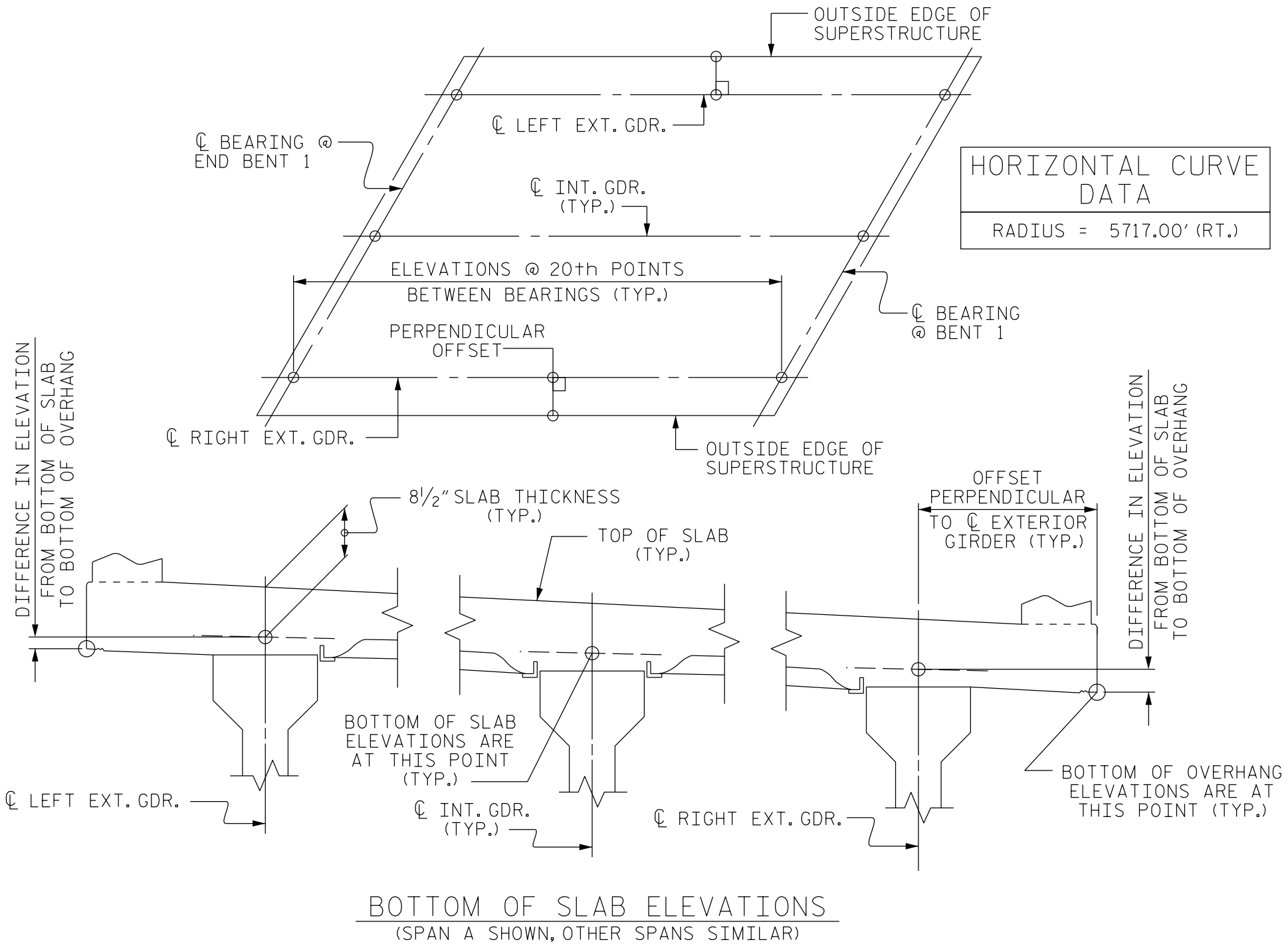


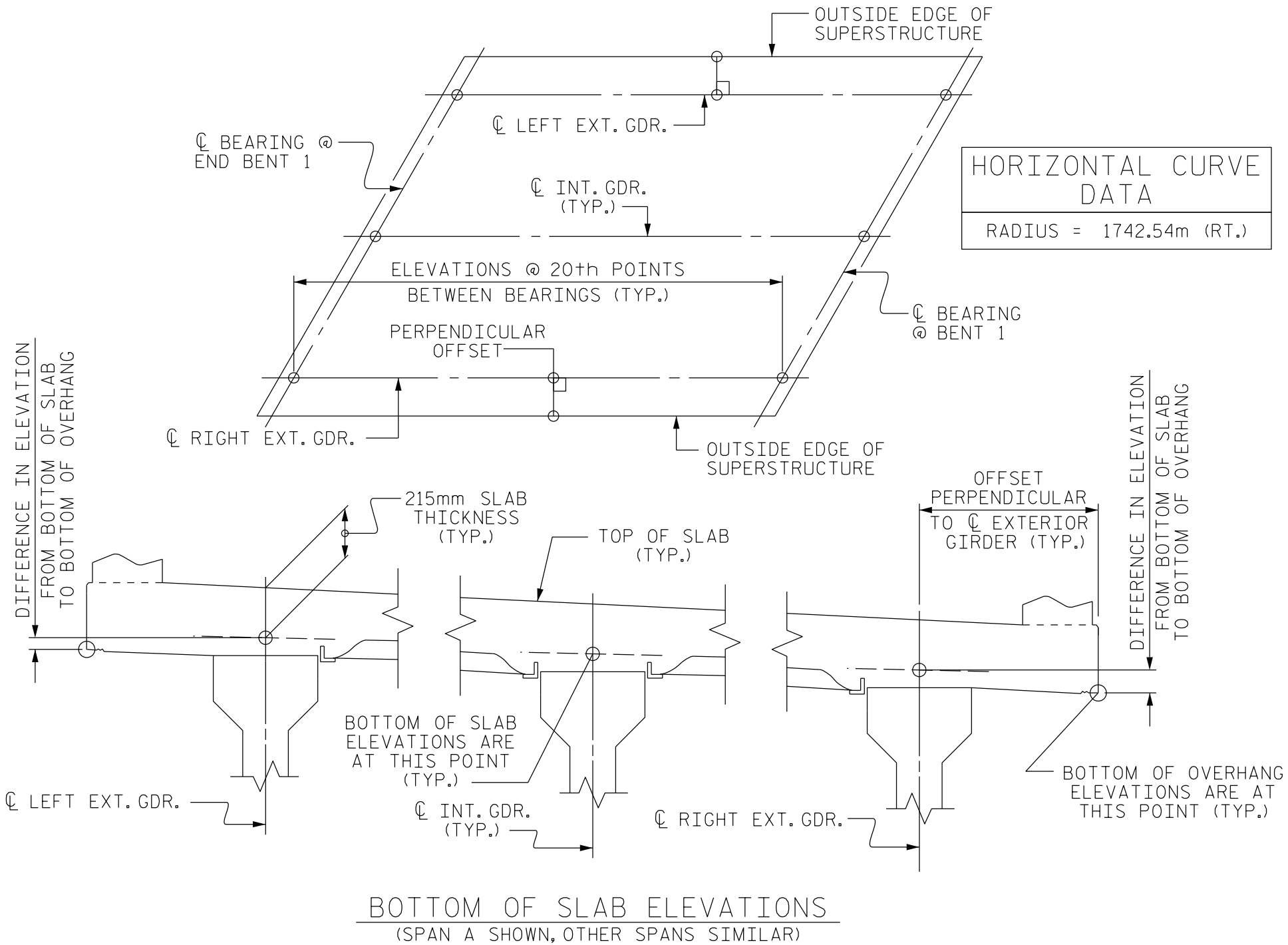
FIGURE 6 - 62



CONSTRUCTION ELEVATIONS SKETCH

EXAMPLE SKETCH FOR CONCRETE GIRDER BRIDGE ON A CURVE

FIGURE 6 - 62 M



CONSTRUCTION ELEVATIONS SKETCH

EXAMPLE SKETCH FOR CONCRETE GIRDER BRIDGE ON A CURVE