

### 36" GIRDER - TYPE II

AREA : 369.0 in.<sup>2</sup>  
2.5625 ft.<sup>2</sup>

WEIGHT : 2.5625 × 150 = 384 lbs/ft.

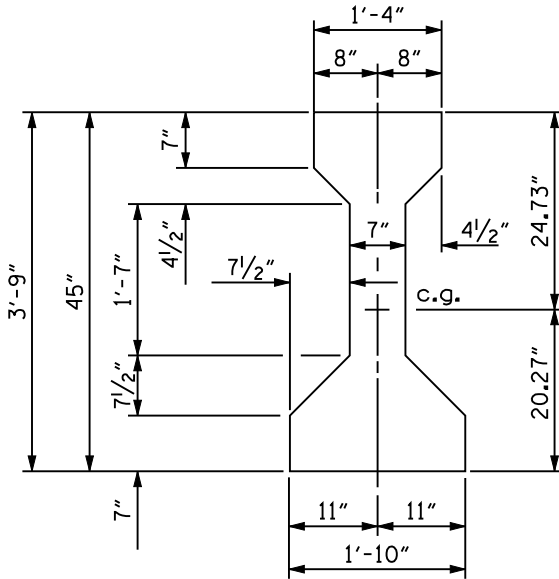
$I_{XX} = 50,979 \text{ in.}^4$      $I_{YY} = 5,332 \text{ in.}^4$

$C_T = 20.17 \text{ in.}$

$C_B = 15.83 \text{ in.}$

$S_T = 2527 \text{ in.}^3$

$S_B = 3221 \text{ in.}^3$



### 45" GIRDER - TYPE III

AREA : 559.5 in.<sup>2</sup>  
3.8854 ft.<sup>2</sup>

WEIGHT : 3.8854 × 150 = 583 lbs/ft.

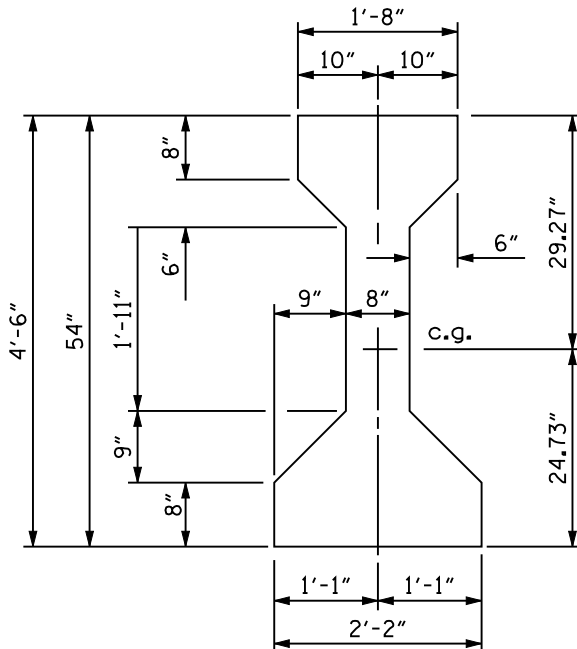
$I_{XX} = 125,390 \text{ in.}^4$      $I_{YY} = 12,217 \text{ in.}^4$

$C_T = 24.73 \text{ in.}$

$C_B = 20.27 \text{ in.}$

$S_T = 5071 \text{ in.}^3$

$S_B = 6185 \text{ in.}^3$



### 54" GIRDER - TYPE IV

AREA : 789.0 in.<sup>2</sup>  
5.4792 ft.<sup>2</sup>

WEIGHT : 5.4792 × 150 = 822 lbs/ft.

$I_{XX} = 260,741 \text{ in.}^4$      $I_{YY} = 24,374 \text{ in.}^4$

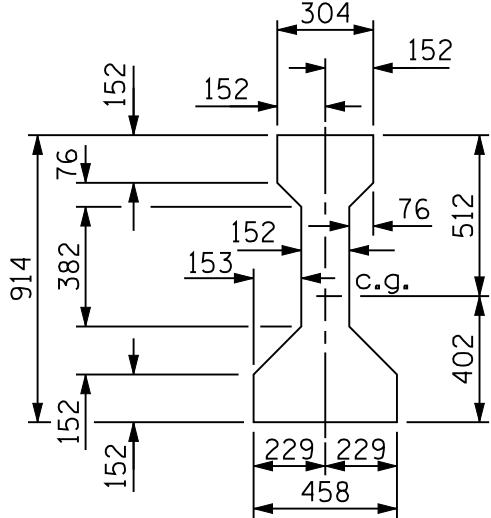
$C_T = 29.27 \text{ in.}$

$C_B = 24.73 \text{ in.}$

$S_T = 8909 \text{ in.}^3$

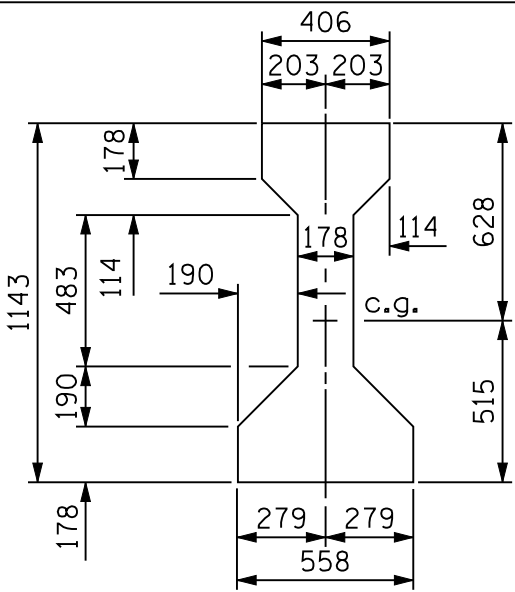
$S_B = 10542 \text{ in.}^3$

DIMENSIONS, AREA, & DESIGN DATA OF  
PRESTRESSED CONCRETE GIRDERS



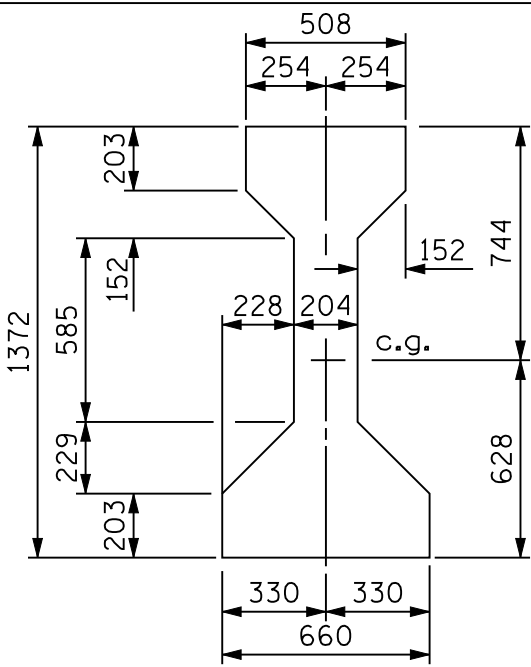
914mm GIRDER - TYPE II

AREA : 238,064 mm<sup>2</sup>  
 0.238m<sup>2</sup>  
 WEIGHT : 0.238 X 23.6 = 5.618 kN/m  
 $I_{XX} = 21.22 \times 10^9 \text{mm}^4$   
 $I_{YY} = 2.22 \times 10^9 \text{mm}^4$   
 $C_T = 512\text{mm}$   
 $C_B = 402\text{mm}$   
 $S_T = 41.42 \times 10^6 \text{mm}^3$   
 $S_B = 52.78 \times 10^6 \text{mm}^3$



1143mm GIRDER - TYPE III

AREA : 360,967mm<sup>2</sup>  
 0.361m<sup>2</sup>  
 WEIGHT : 0.361 X 23.6 = 8.519 kN/m  
 $I_{XX} = 52.19 \times 10^9 \text{mm}^4$   
 $I_{YY} = 5.08 \times 10^9 \text{mm}^4$   
 $C_T = 628\text{mm}$   
 $C_B = 515\text{mm}$   
 $S_T = 83.10 \times 10^6 \text{mm}^3$   
 $S_B = 101.35 \times 10^6 \text{mm}^3$



1372mm GIRDER - TYPE IV

AREA : 509,031mm<sup>2</sup>  
 0.509m<sup>2</sup>  
 WEIGHT : 0.509 X 23.6 = 12.013 kN/m  
 $I_{XX} = 108.53 \times 10^9 \text{mm}^4$   
 $I_{YY} = 10.15 \times 10^9 \text{mm}^4$   
 $C_T = 744\text{mm}$   
 $C_B = 628\text{mm}$   
 $S_T = 146.00 \times 10^6 \text{mm}^3$   
 $S_B = 172.75 \times 10^6 \text{mm}^3$

DIMENSIONS, AREA, & DESIGN DATA OF PRESTRESSED CONCRETE GIRDERS

**FIGURE 6 - 66 M**