

\* - SEE SECTION 6-3 "CONTINUOUS FOR LIVE LOAD DECK SLABS" FOR REQUIREMENTS OF REINFORCEMENT SPACING AND SIZE.

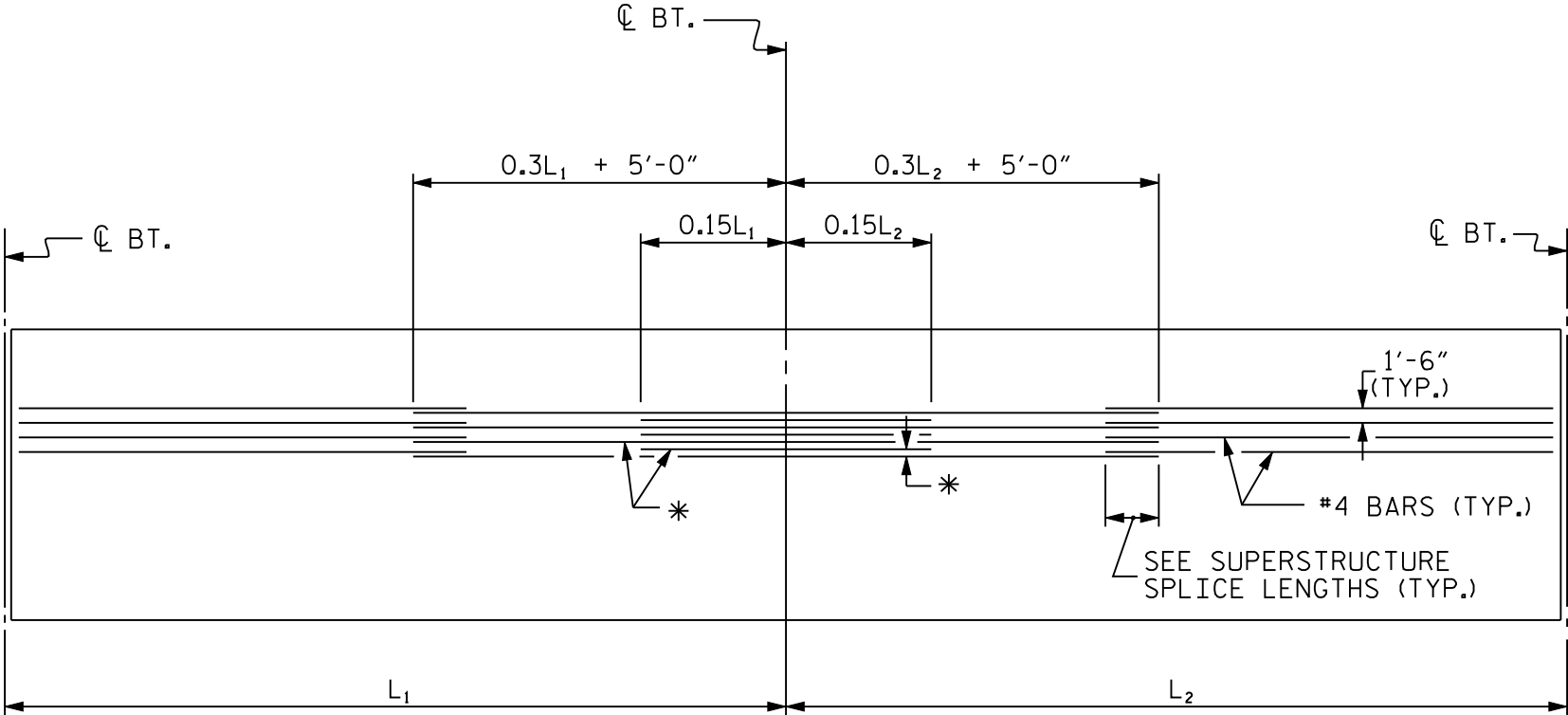


FIGURE 6 - 72

TOP OF SLAB REINFORCEMENT LAYOUT

CONTINUOUS FOR LIVE LOAD DECK SLABS WITH METAL STAY-IN-PLACE FORMS

\* - SEE SECTION 6-3 "CONTINUOUS FOR LIVE LOAD DECK SLABS" FOR REQUIREMENTS OF REINFORCEMENT SPACING AND SIZE.

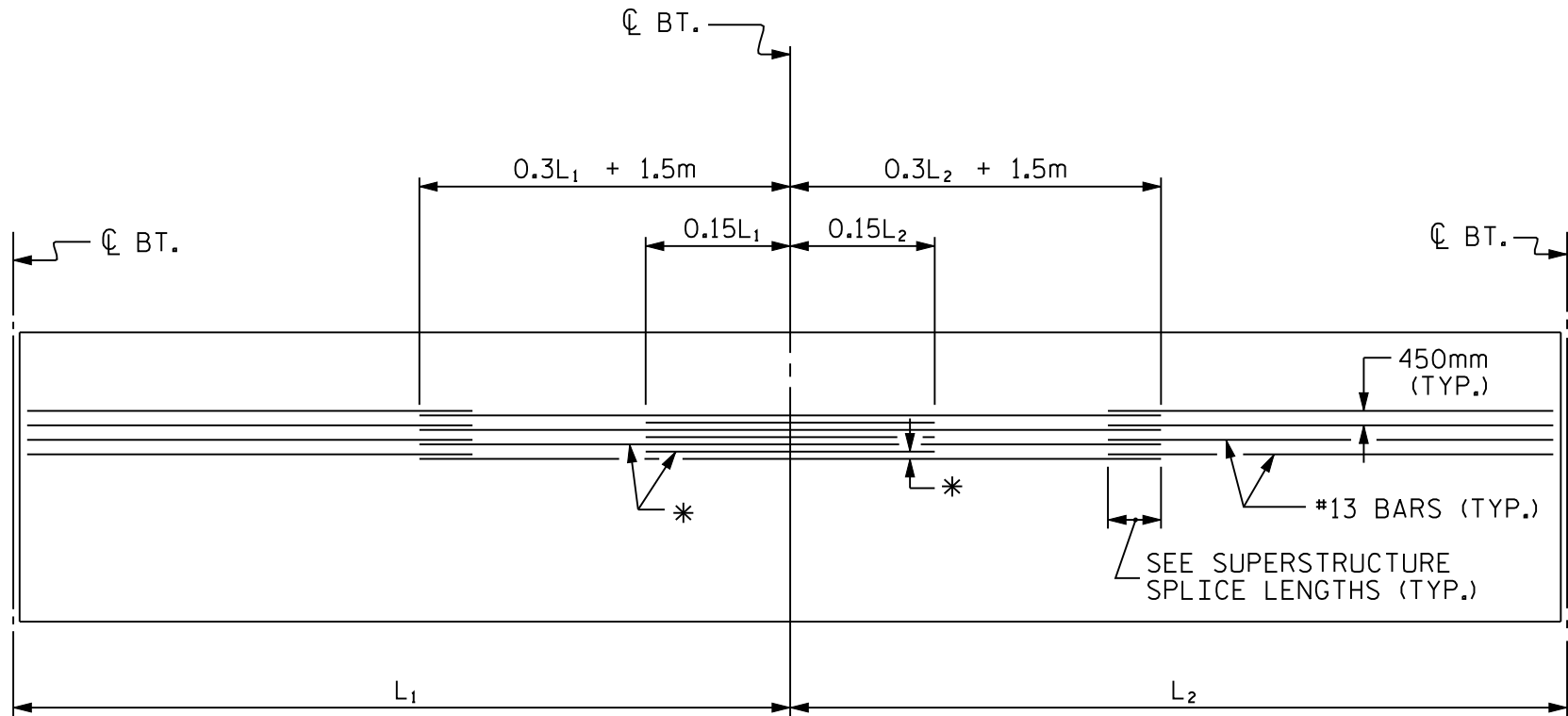


FIGURE 6 - 72 M

TOP OF SLAB REINFORCEMENT LAYOUT  
CONTINUOUS FOR LIVE LOAD DECK SLABS WITH  
METAL STAY-IN-PLACE FORMS