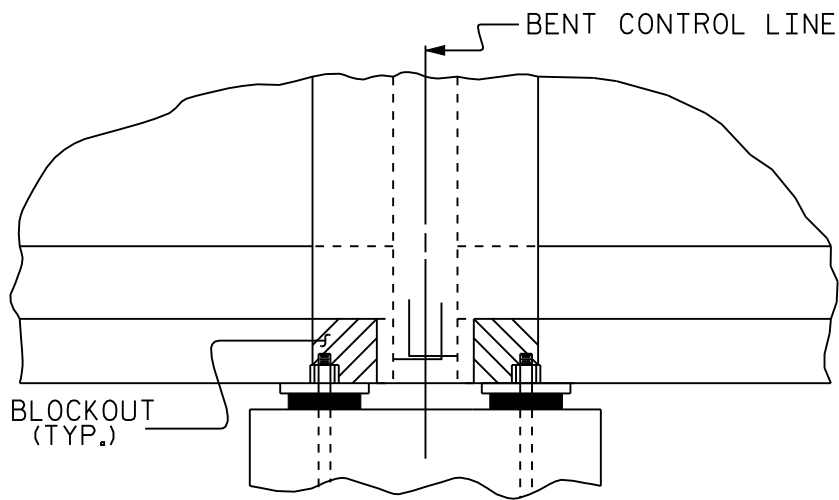


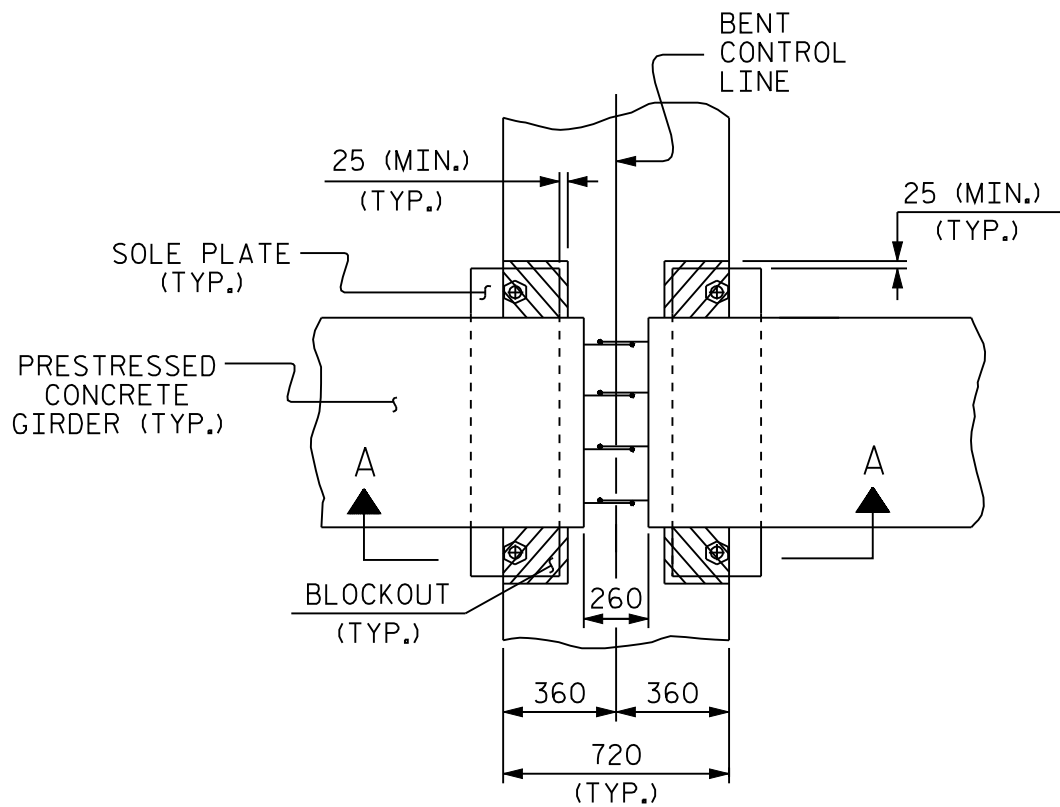
PLAN VIEW



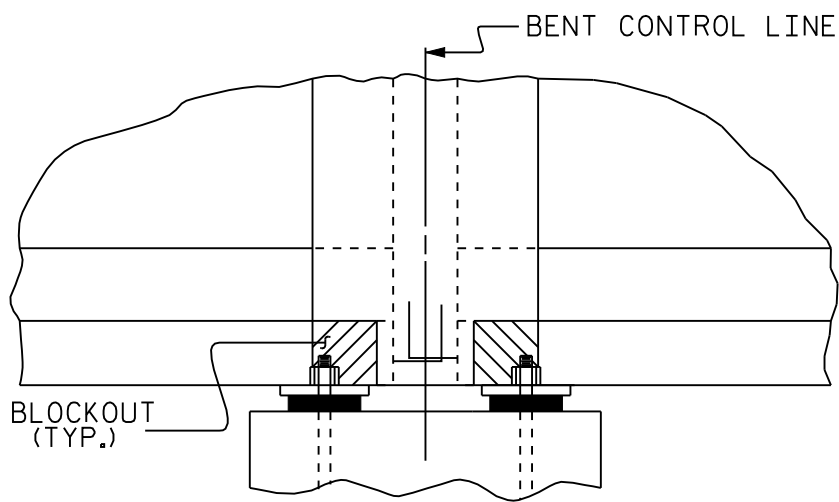
SECTION A-A

BENT DIAPHRAGM BLOCKOUT DETAIL
 (PRESTRESSED GIRDERS WITH CONTINUOUS DECK SLAB)

FIGURE 6 - 77



PLAN VIEW



SECTION A-A

BENT DIAPHRAGM BLOCKOUT DETAIL
 (PRESTRESSED GIRDERS WITH CONTINUOUS DECK SLAB)

FIGURE 6 - 77 M