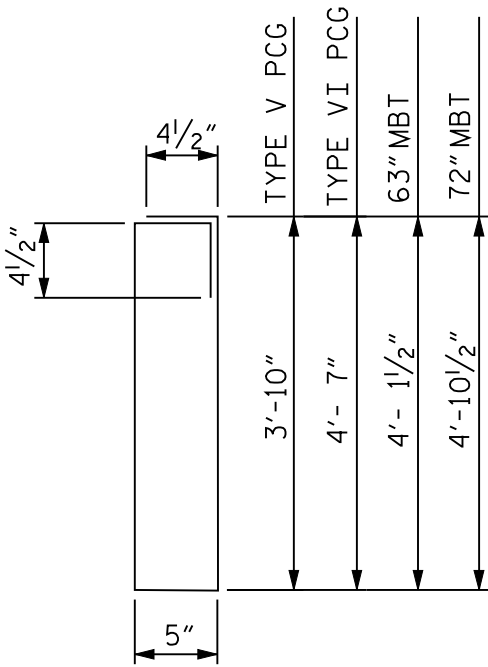
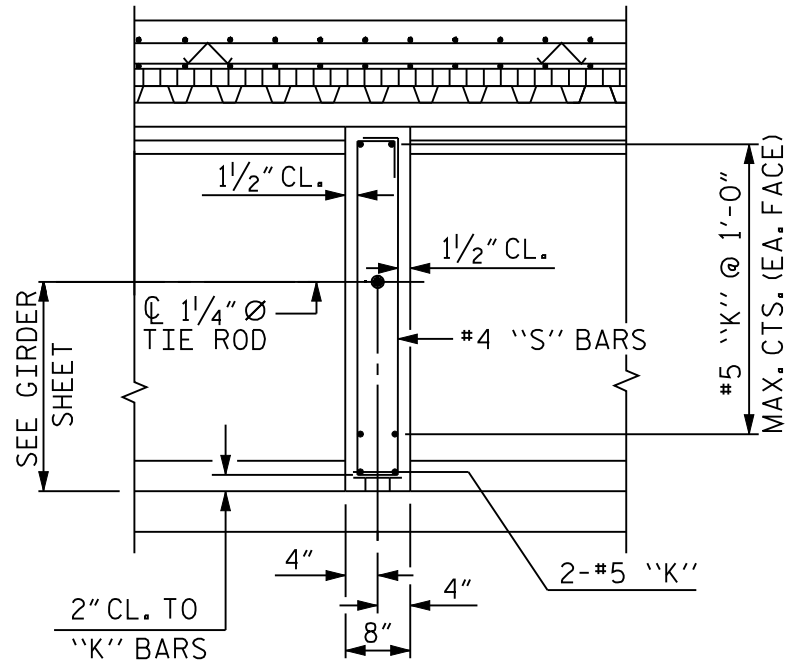


SECTION AT INTERMEDIATE DIAPHRAGM



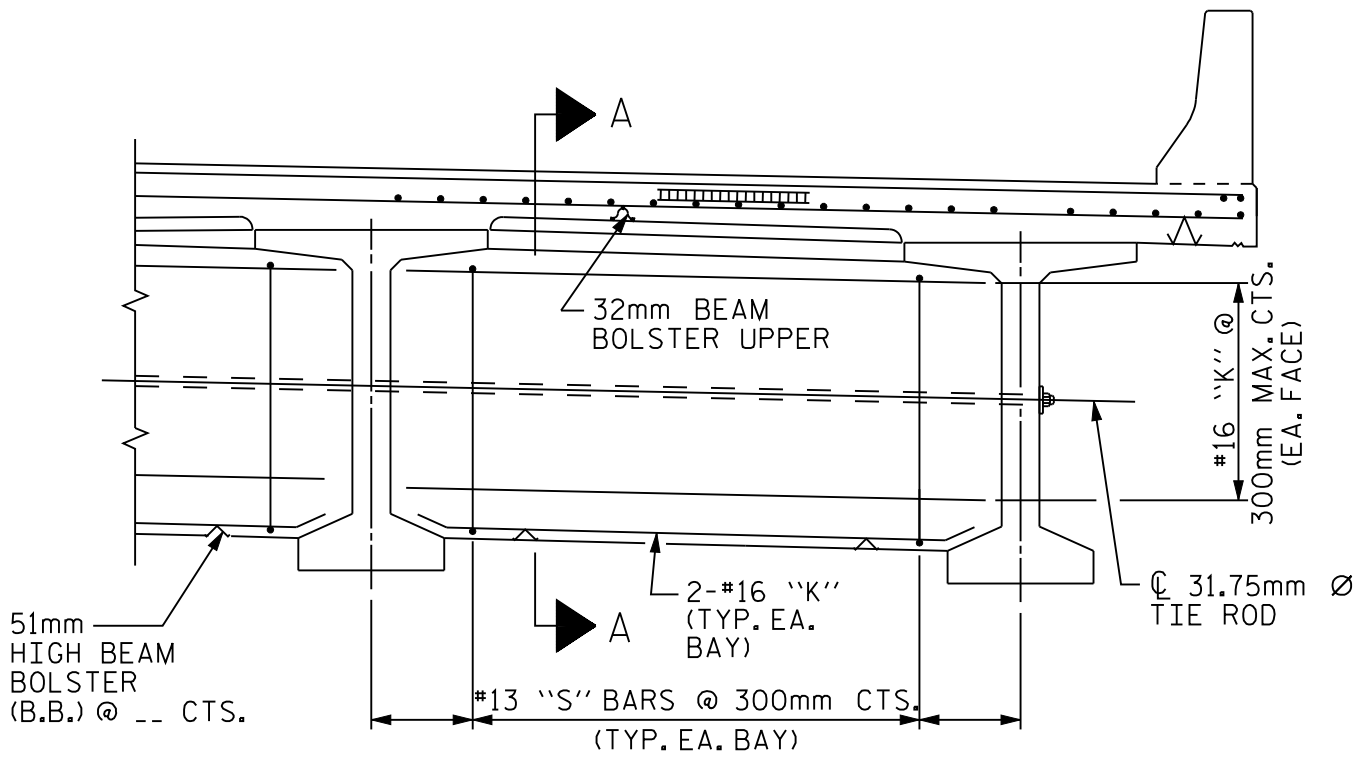
#4 "S" BAR



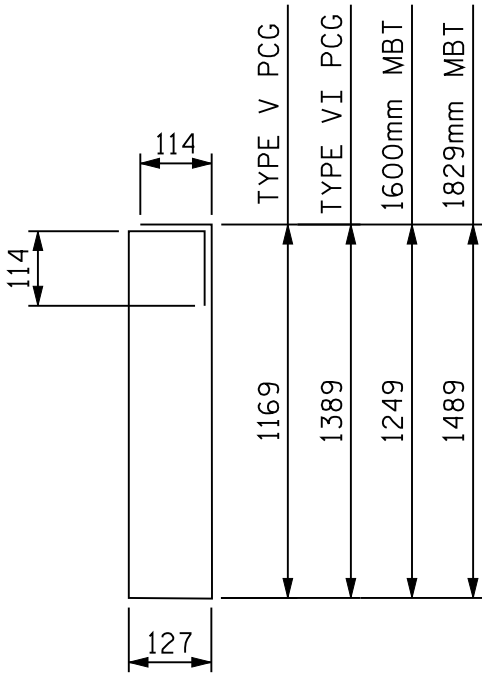
SECTION A-A

TYPICAL CONCRETE INTERMEDIATE DIAPHRAGM FOR PRESTRESSED CONCRETE GIRDERS

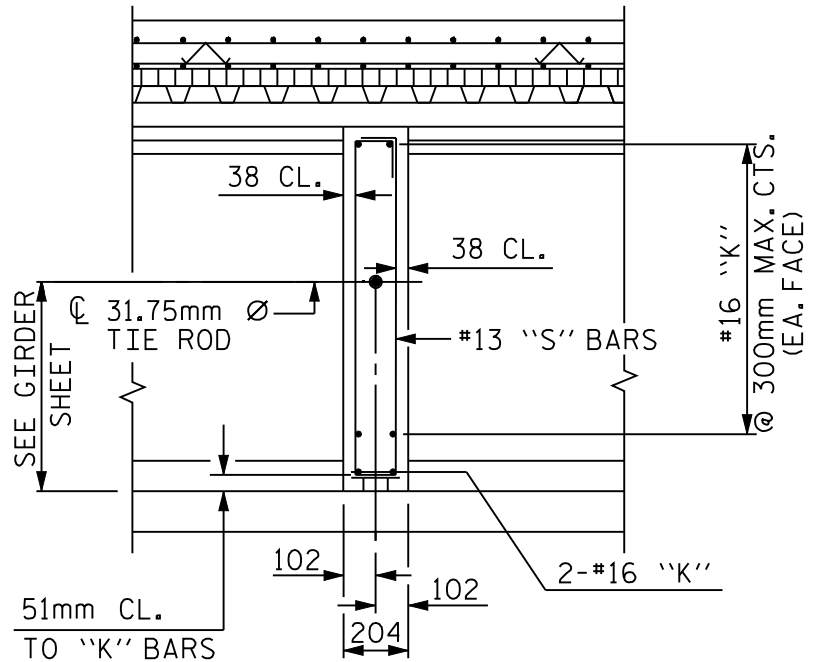
FIGURE 6 - 79



SECTION AT INTERMEDIATE DIAPHRAGM



#13 "S" BAR



SECTION A-A

TYPICAL CONCRETE INTERMEDIATE DIAPHRAGM FOR PRESTRESSED CONCRETE GIRDERS

FIGURE 6 - 79 M