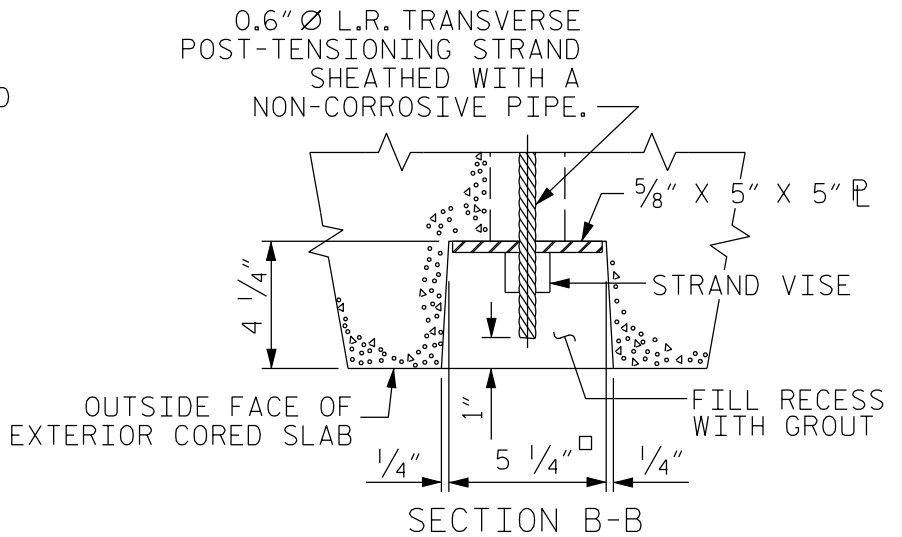
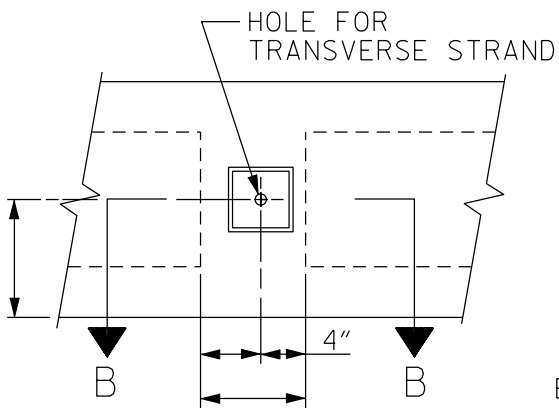


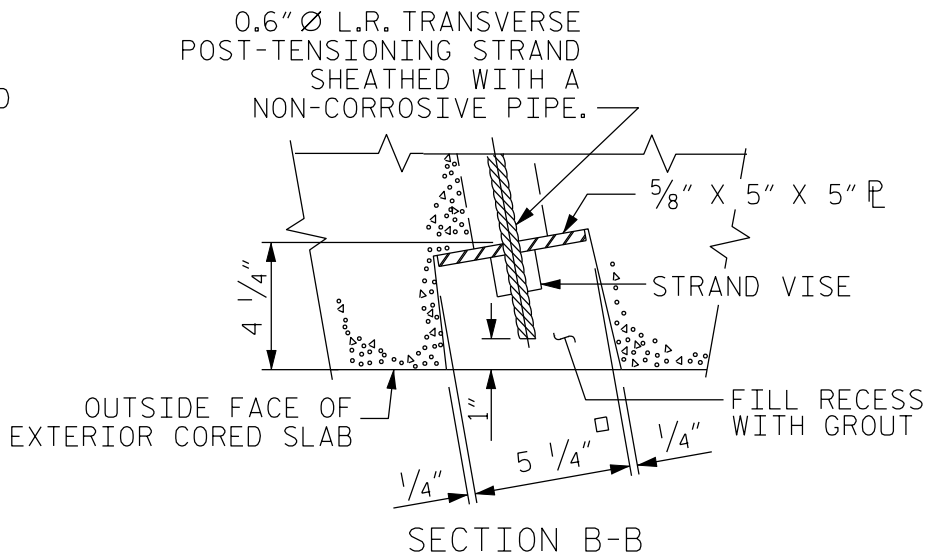
ELEVATION VIEW



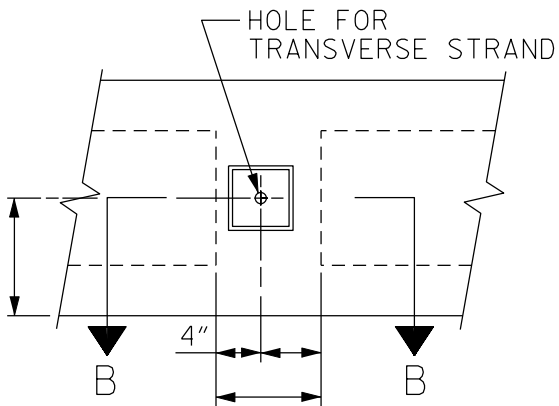
SECTION B-B



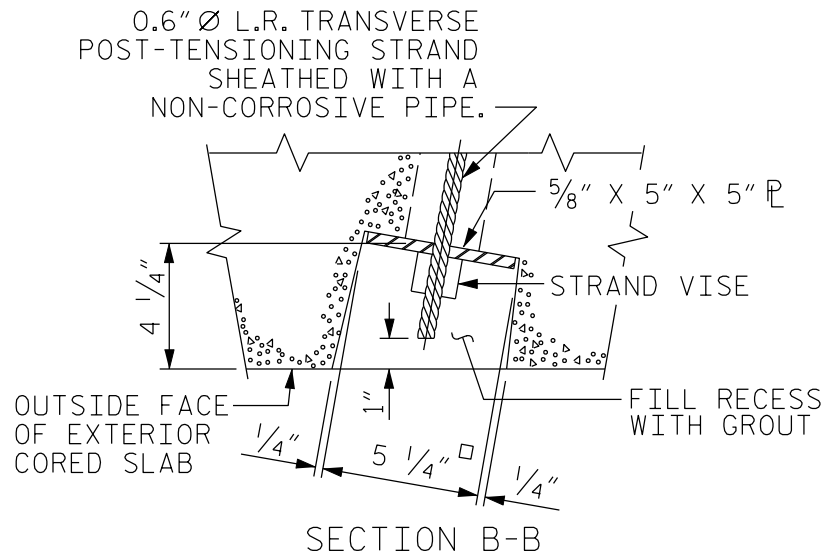
ELEVATION VIEW



SECTION B-B



ELEVATION VIEW

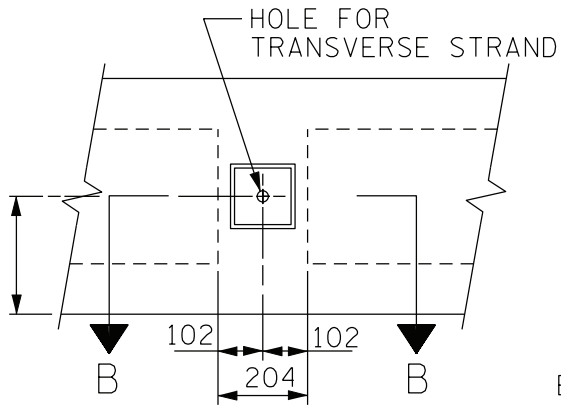


SECTION B-B

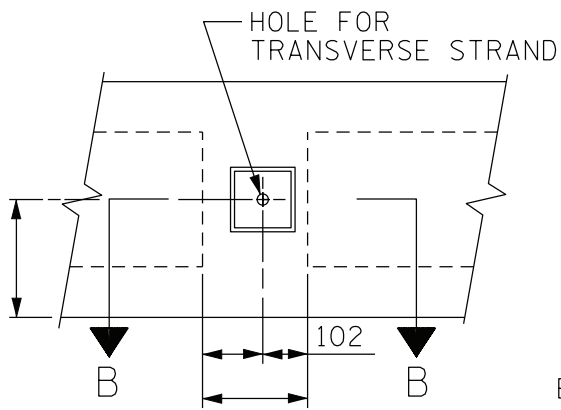
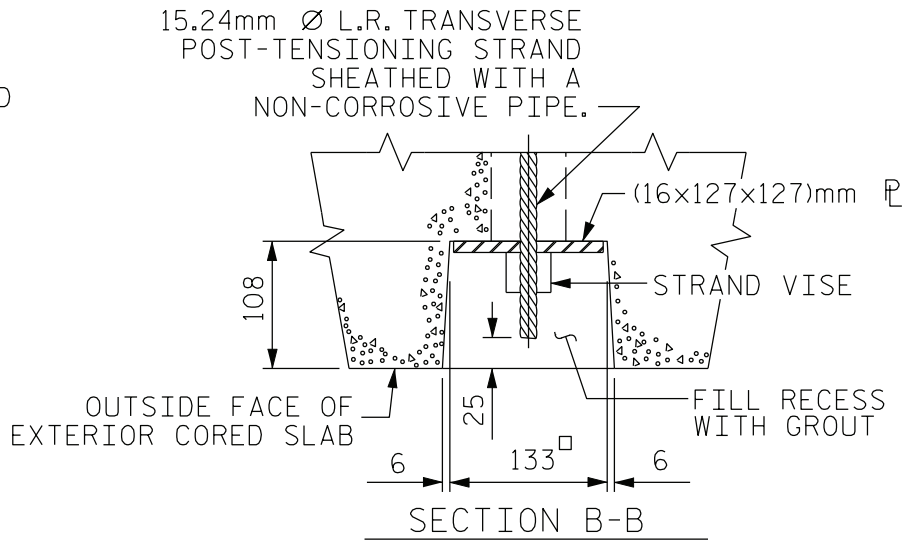
GROUTED RECESS AT END OF SINGLE POST-TENSIONED STRAND OF CORED SLABS

(FOR 18" & 21" CORED SLABS)

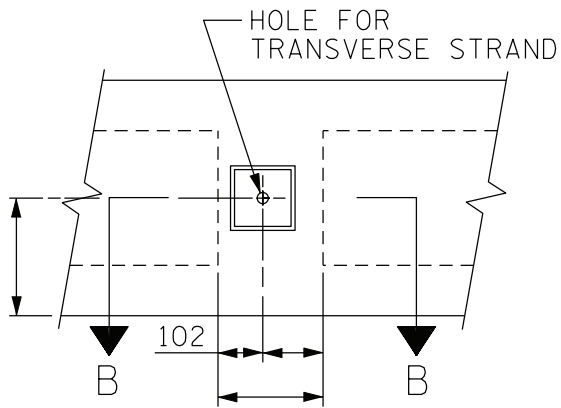
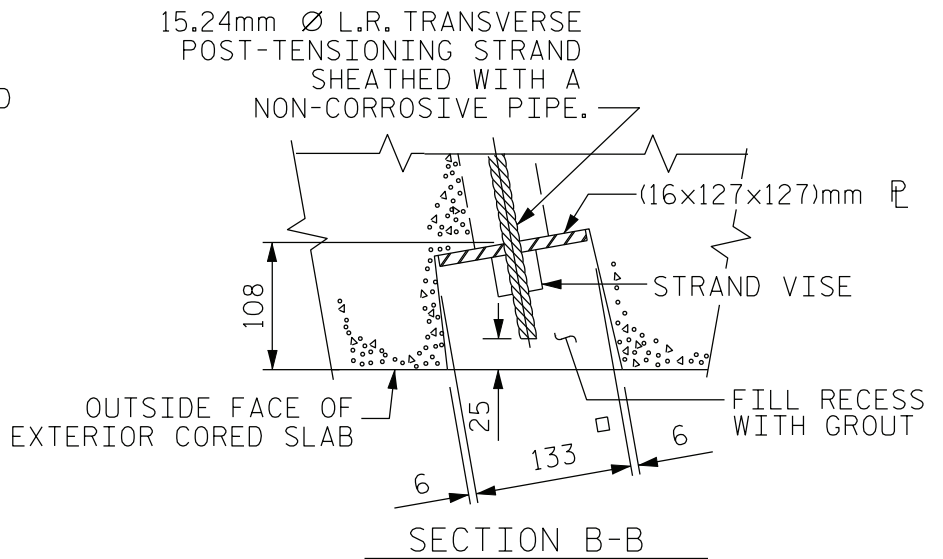
FIGURE 6 - 86



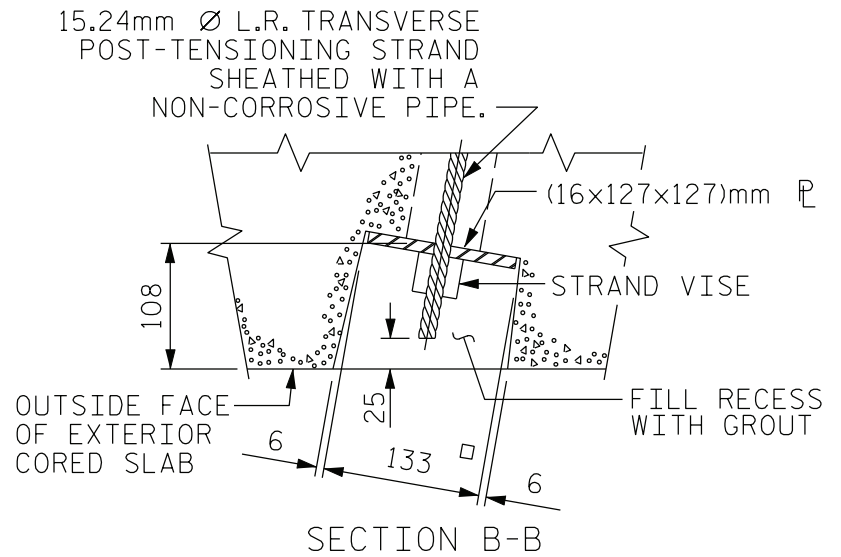
ELEVATION VIEW



ELEVATION VIEW



ELEVATION VIEW



GROUTED RECESS AT END OF SINGLE POST-TENSIONED STRAND OF CORED SLABS

(FOR 457mm & 533mm CORED SLABS)

FIGURE 6 - 86 M