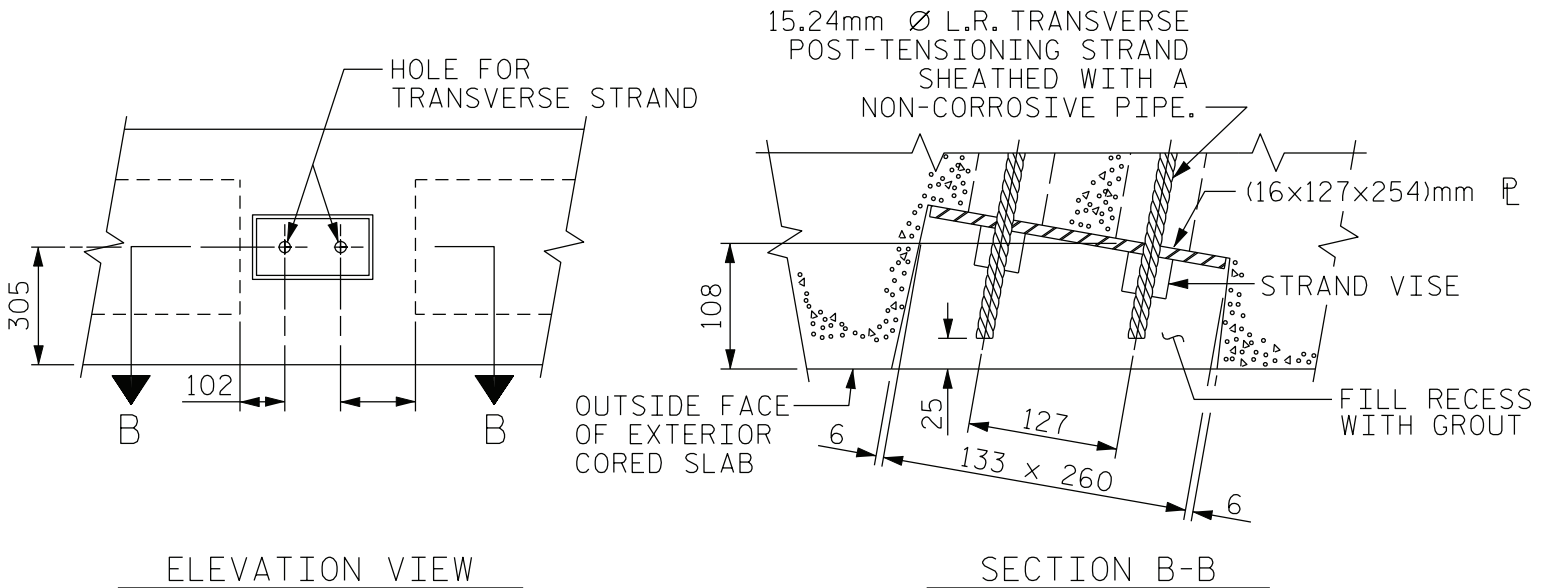
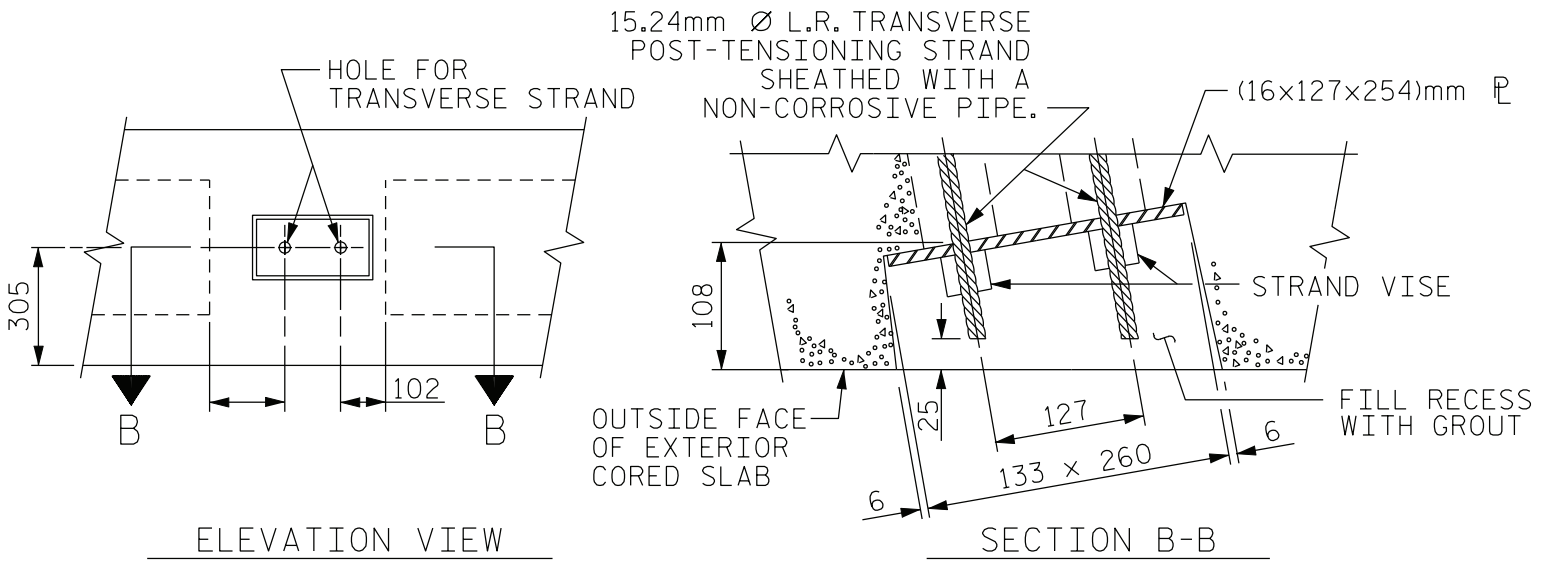
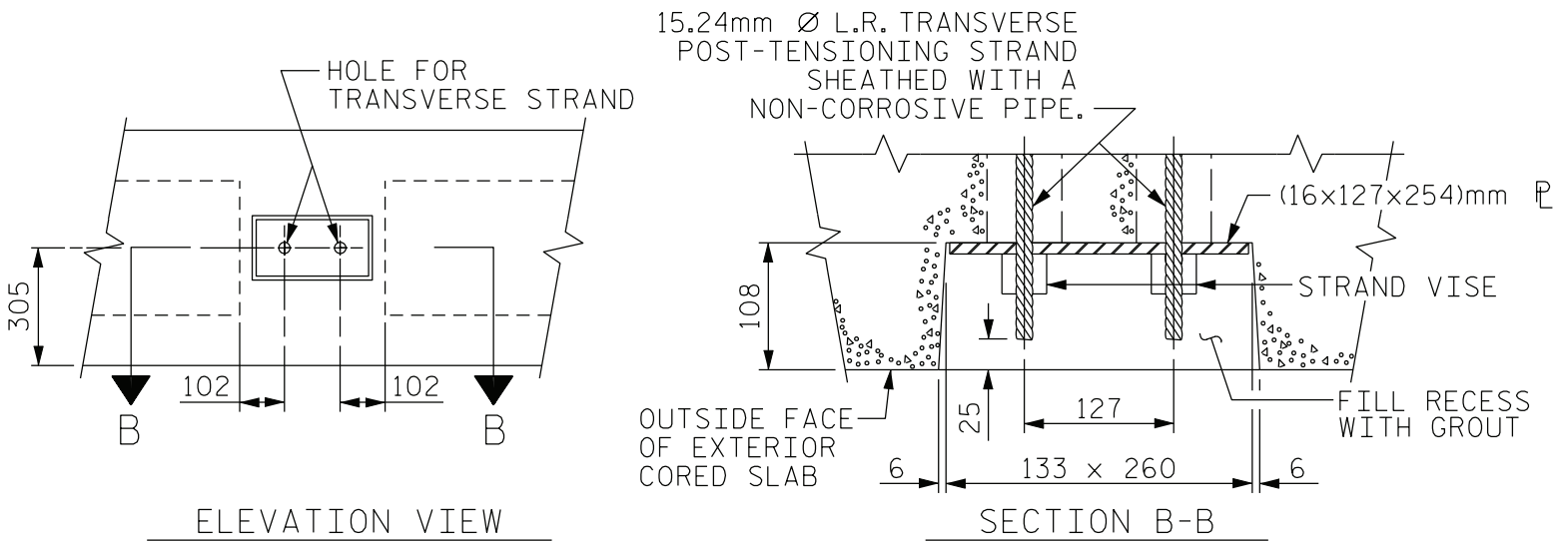


GROUTED RECESS AT END OF DOUBLE POST-TENSIONED STRANDS FOR CORED SLABS

(FOR 24" CORED SLABS)

FIGURE 6 - 86a



GROUTED RECESS AT END OF DOUBLE POST-TENSIONED STRANDS FOR CORED SLABS

(FOR 610mm CORED SLABS)

FIGURE 6 - 86a M