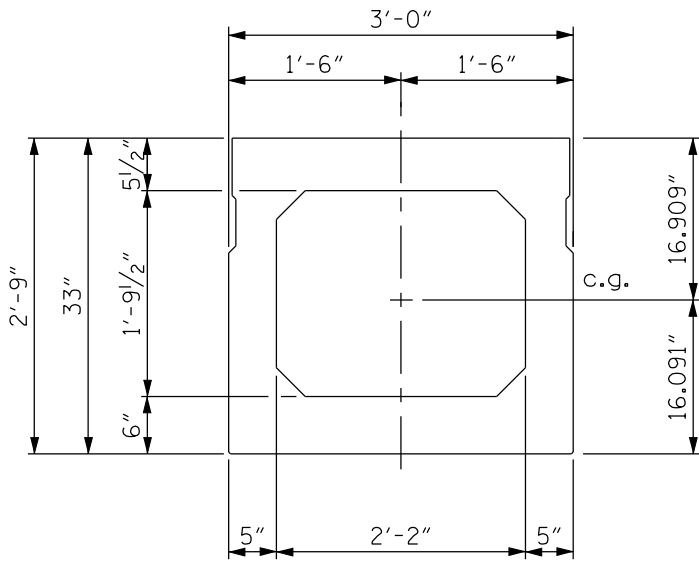
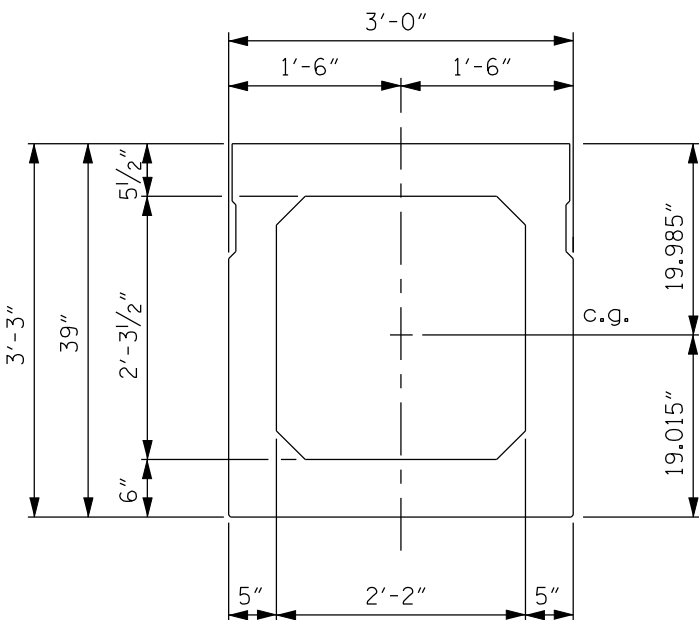


27" BOX BEAM	
AREA:	574.2 in. ² 3.9875 ft. ²
WEIGHT:	3.9875 X 150 = 598 lbs/ft.
I _{xx} =	51019 in. ⁴
I _{yy} =	80865 in. ⁴
C _T =	13.817 in.
J =	89924 in. ⁴
C _B =	13.183 in.
S _T =	3692 in. ³
S _B =	3870 in. ³



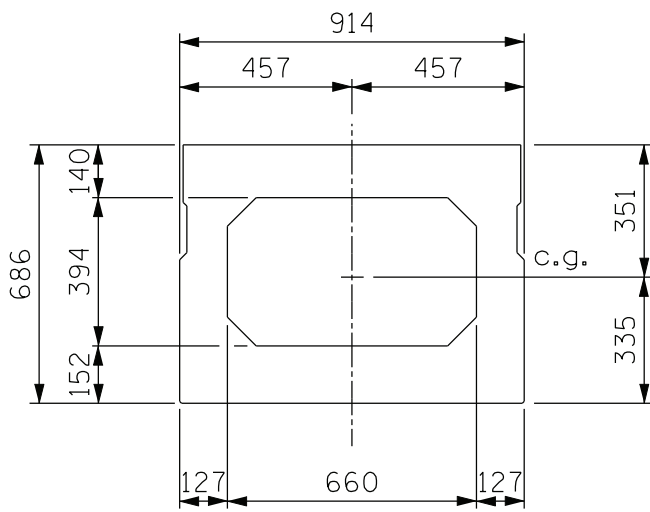
33" BOX BEAM	
AREA:	634.2 in. ² 4.4042 ft. ²
WEIGHT:	4.4042 X 150 = 661 lbs/ft.
I _{xx} =	86519 in. ⁴
I _{yy} =	95405 in. ⁴
C _T =	16.909 in.
J =	131521 in. ⁴
C _B =	16.091 in.
S _T =	5117 in. ³
S _B =	5377 in. ³



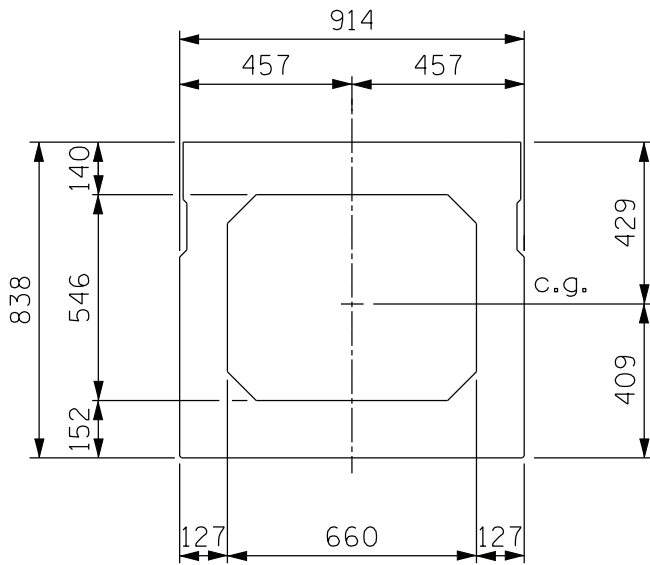
39" BOX BEAM	
AREA:	694.2 in. ² 4.8208 ft. ²
WEIGHT:	4.8208 X 150 = 723 lbs/ft.
I _{xx} =	133426 in. ⁴
I _{yy} =	109945 in. ⁴
C _T =	19.985 in.
J =	176317 in. ⁴
C _B =	19.015 in.
S _T =	6676 in. ³
S _B =	7017 in. ³

BOX BEAM PROPERTIES

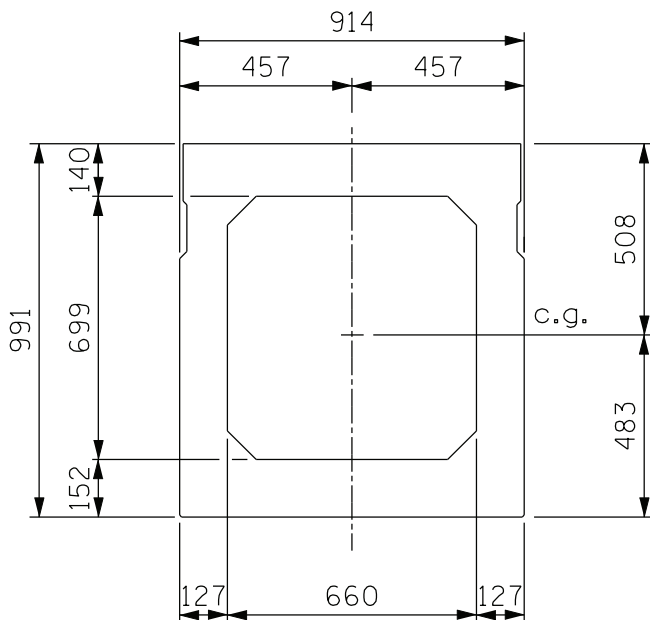
FIGURE 6 - 88



686mm BOX BEAM	
AREA:	370,451 mm ² 0.370 m ²
WEIGHT:	0.370 X 23.6 = 8.732 kN/m
I _{xx} =	21.24 X 10 ⁹ mm ⁴
I _{yy} =	33.66 X 10 ⁹ mm ⁴
C _T =	351mm
J =	35.13 X 10 ⁹ mm ⁴
C _B =	335mm
S _T =	60.50 X 10 ⁶ mm ³
S _B =	63.42 X 10 ⁶ mm ³



838mm BOX BEAM	
AREA:	409,161 mm ² 0.409 m ²
WEIGHT:	0.409 X 23.6 = 9.652 kN/m
I _{xx} =	36.01 X 10 ⁹ mm ⁴
I _{yy} =	39.71 X 10 ⁹ mm ⁴
C _T =	429mm
J =	51.38 X 10 ⁹ mm ⁴
C _B =	409mm
S _T =	83.85 X 10 ⁶ mm ³
S _B =	88.11 X 10 ⁶ mm ³



991mm BOX BEAM	
AREA:	447,870 mm ² 0.448 m ²
WEIGHT:	0.448 X 23.6 = 10.573 kN/m
I _{xx} =	55.54 X 10 ⁹ mm ⁴
I _{yy} =	45.76 X 10 ⁹ mm ⁴
C _T =	508mm
J =	68.87 X 10 ⁹ mm ⁴
C _B =	483mm
S _T =	109.40 X 10 ⁶ mm ³
S _B =	114.99 X 10 ⁶ mm ³

BOX BEAM PROPERTIES

FIGURE 6 - 88 M