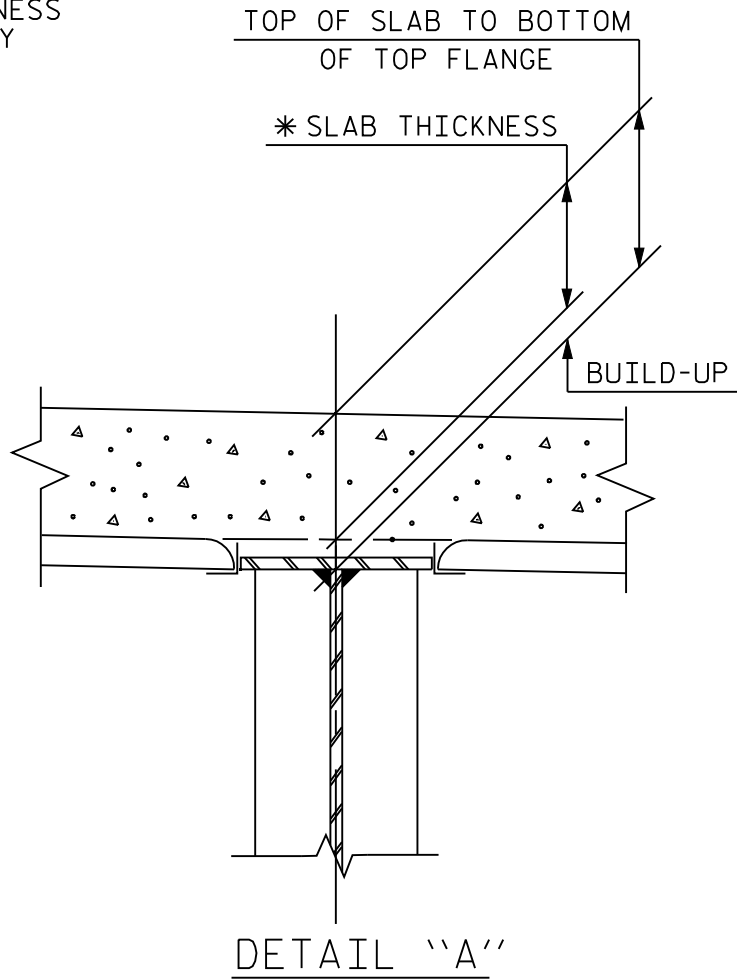
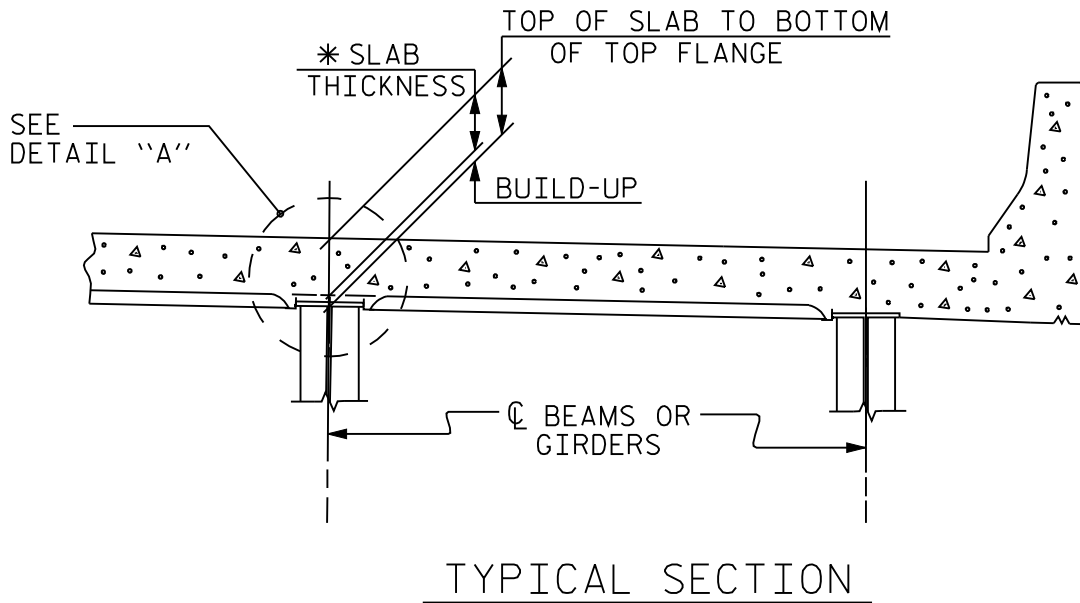


\* SLAB THICKNESS DETERMINED BY DESIGN

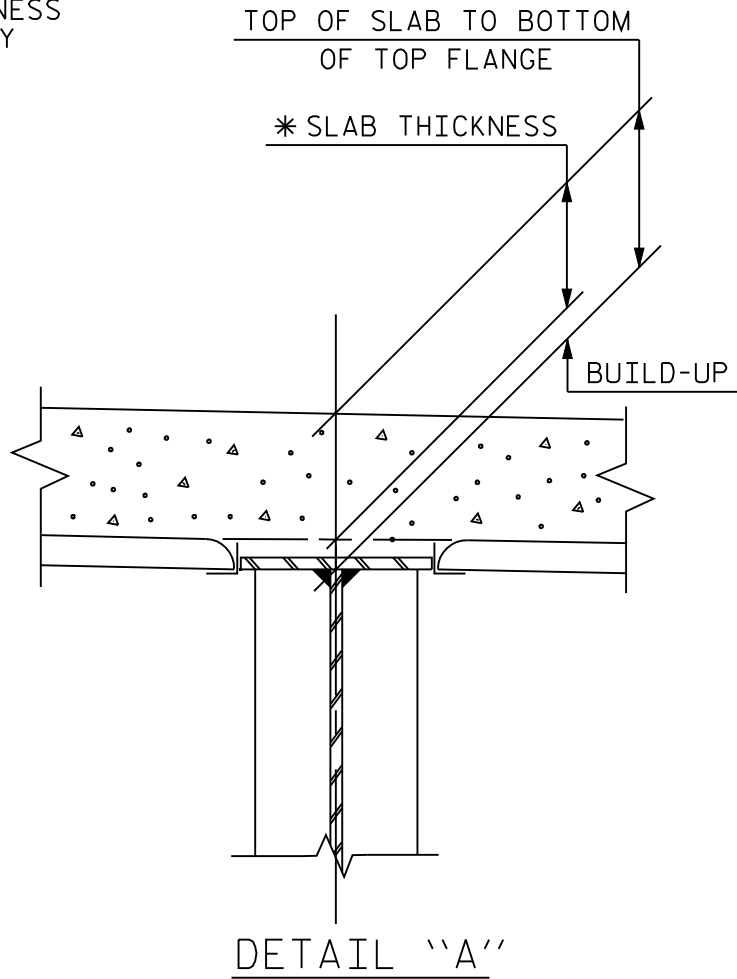


TYPICAL DETAIL SHOWING SLAB & BUILD-UP DIMENSIONS

**FIGURE 6 - 90**



\* SLAB THICKNESS DETERMINED BY DESIGN



TYPICAL DETAIL SHOWING SLAB & BUILD-UP DIMENSIONS

**FIGURE 6 - 90 M**