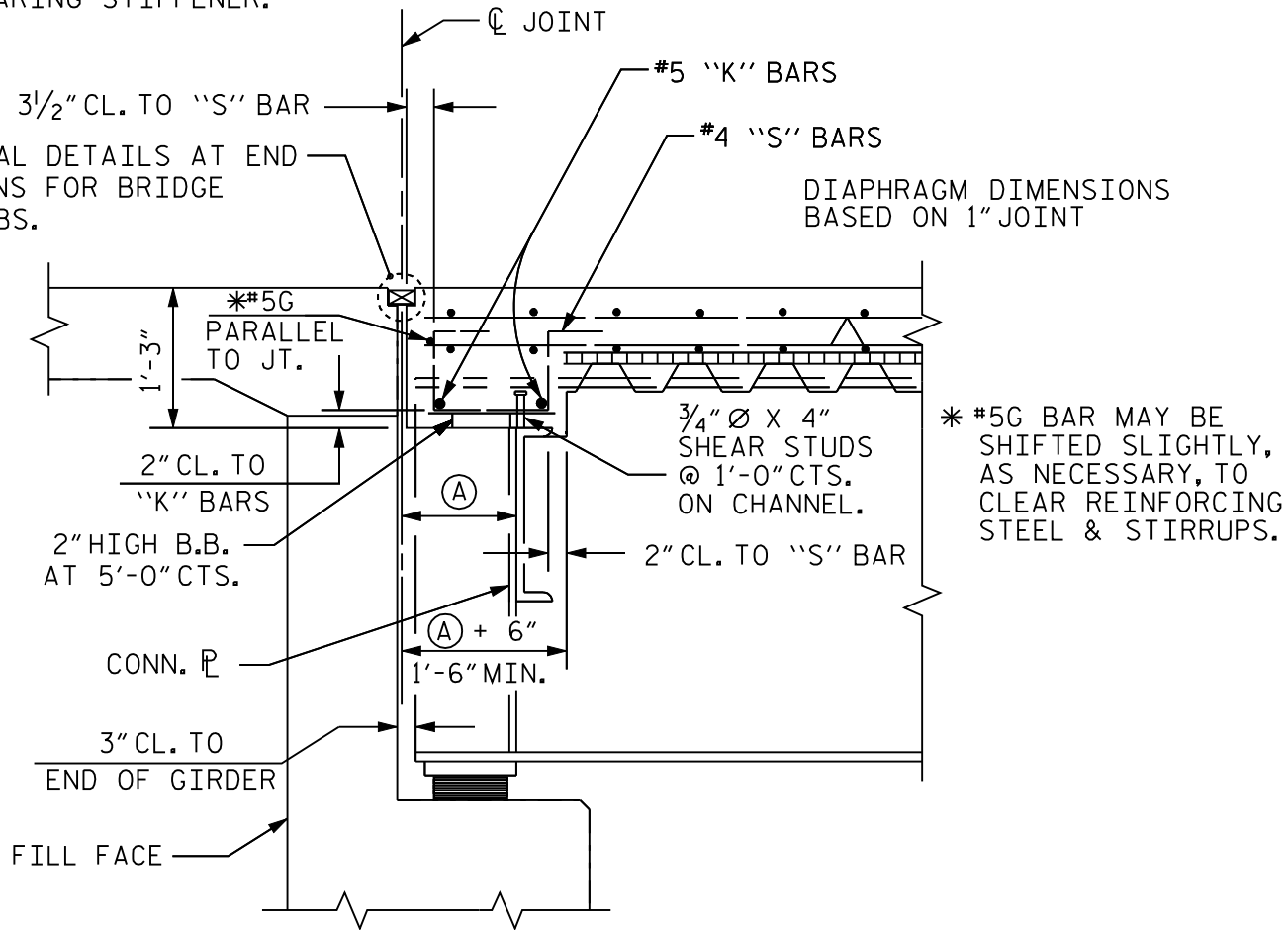
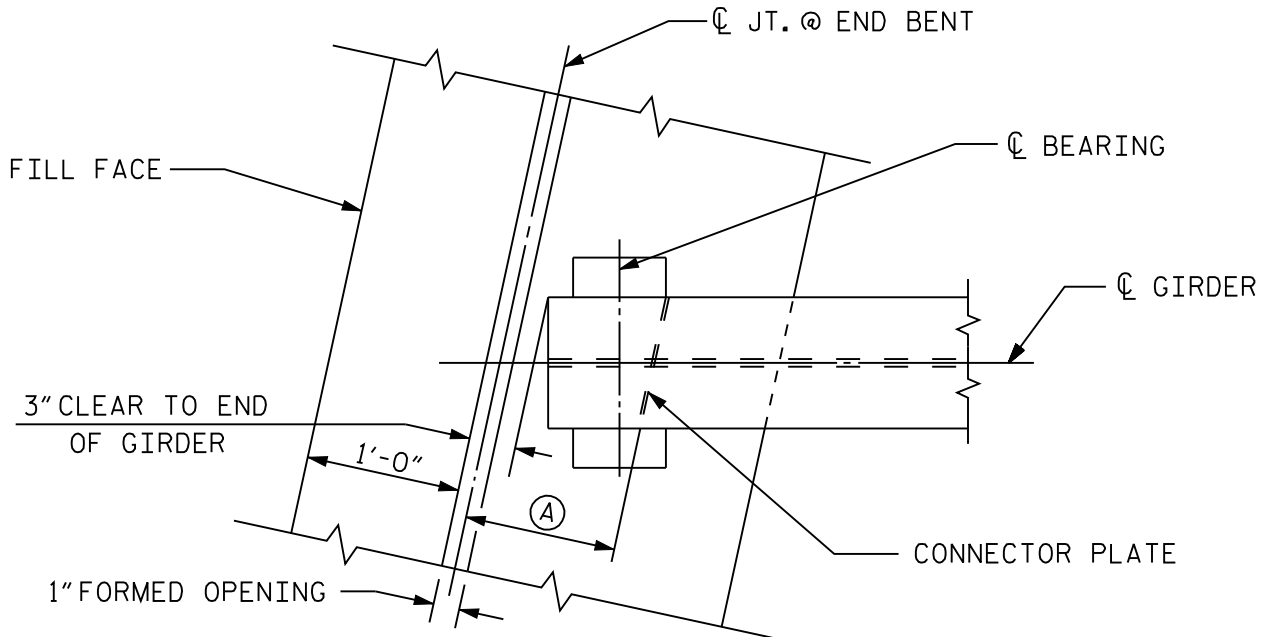


NOTE: DIM. (A) TO BE DETERMINED BY THE DETAILER SO AS NOT TO INTERFERE WITH THE BEARING STIFFENER.

FOR JOINT SEAL DETAILS AT END BENT, SEE PLANS FOR BRIDGE APPROACH SLABS.



END OF GIRDER DETAIL AT END BENT



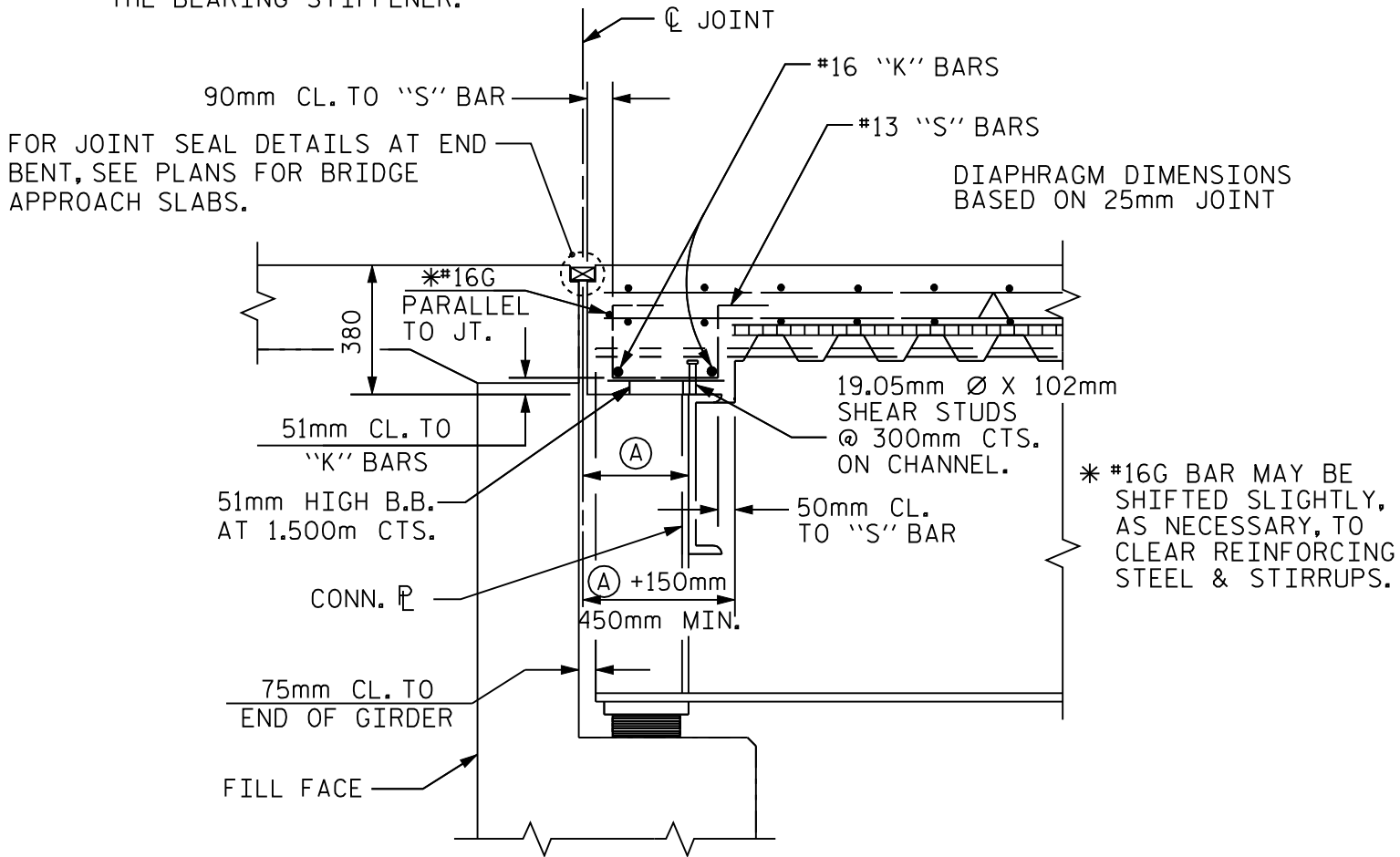
PLAN OF GIRDER AT END BENT JOINT

END BENT JOINT DETAILS

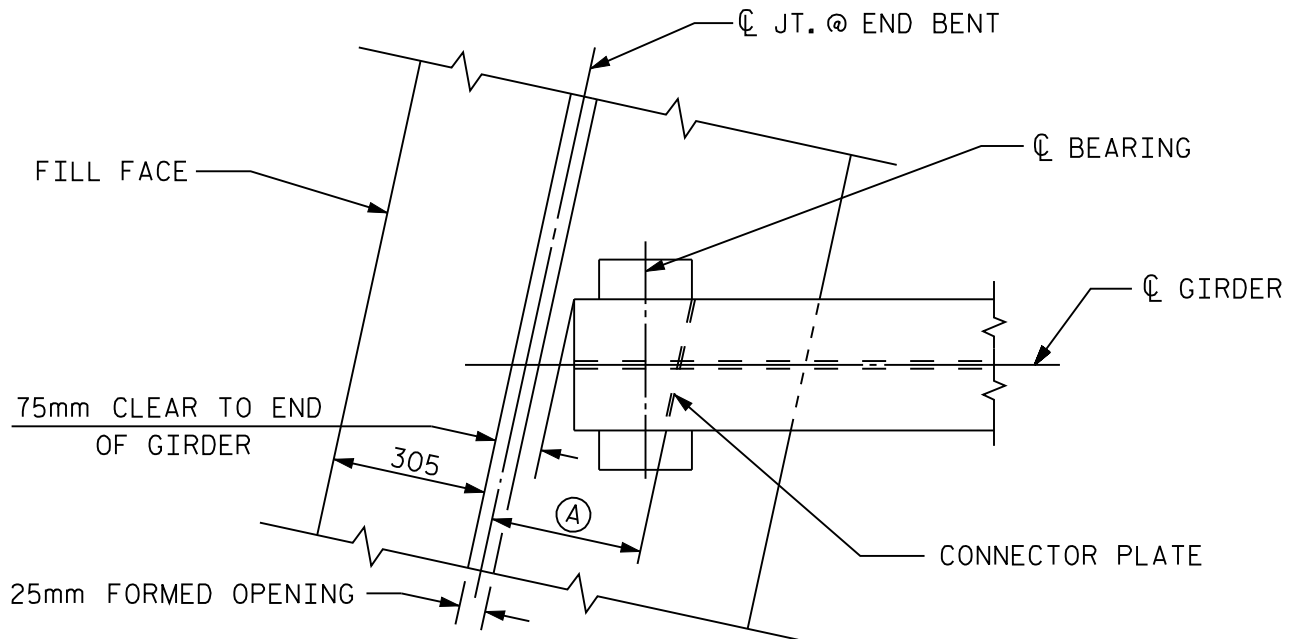
STEEL SUPERSTRUCTURE

FIGURE 6 - 93

NOTE: DIM. (A) TO BE DETERMINED BY THE DETAILER SO AS NOT TO INTERFERE WITH THE BEARING STIFFENER.



END OF GIRDER DETAIL AT END BENT



PLAN OF GIRDER AT END BENT JOINT

END BENT JOINT DETAILS

STEEL SUPERSTRUCTURE

FIGURE 6 - 93 M