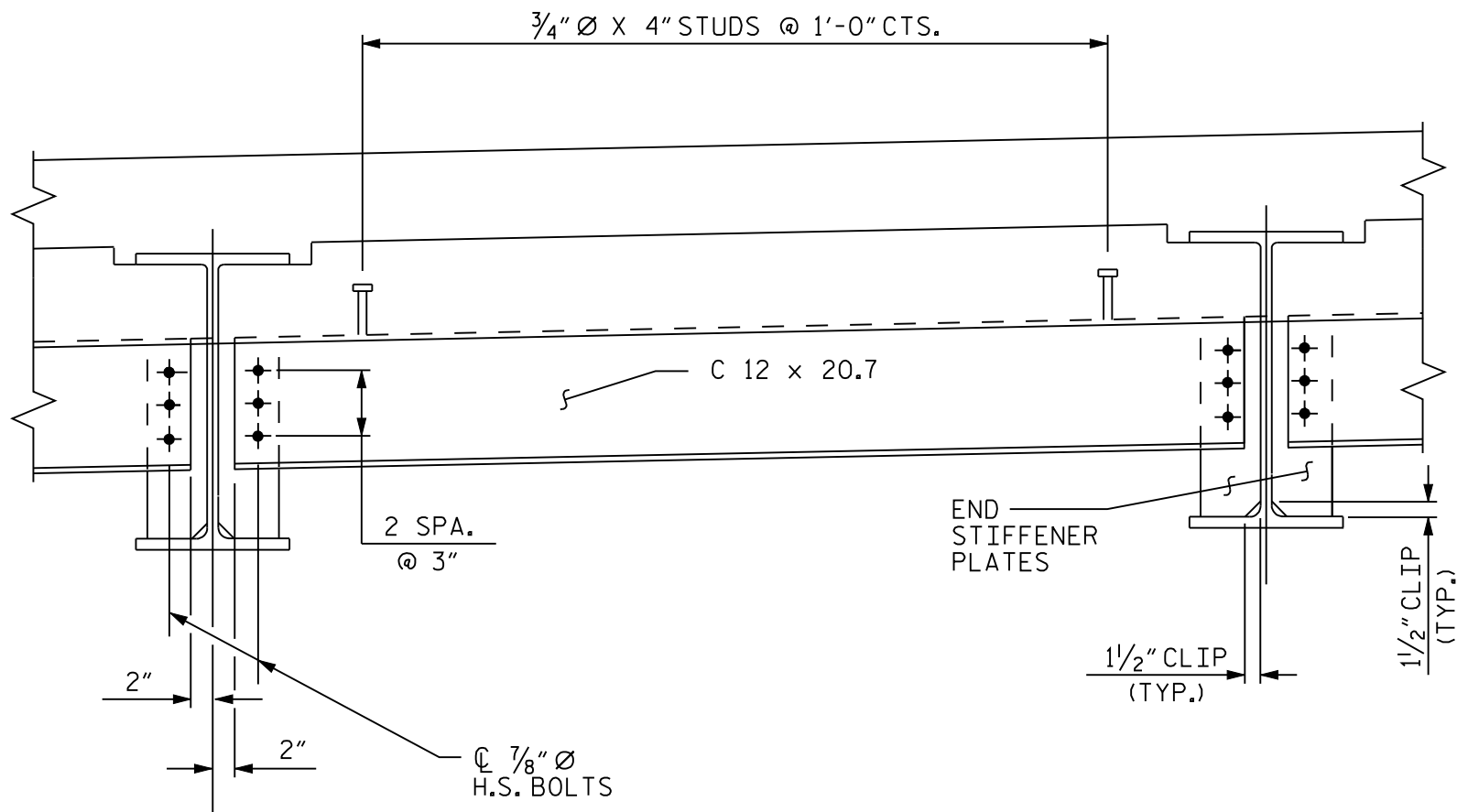
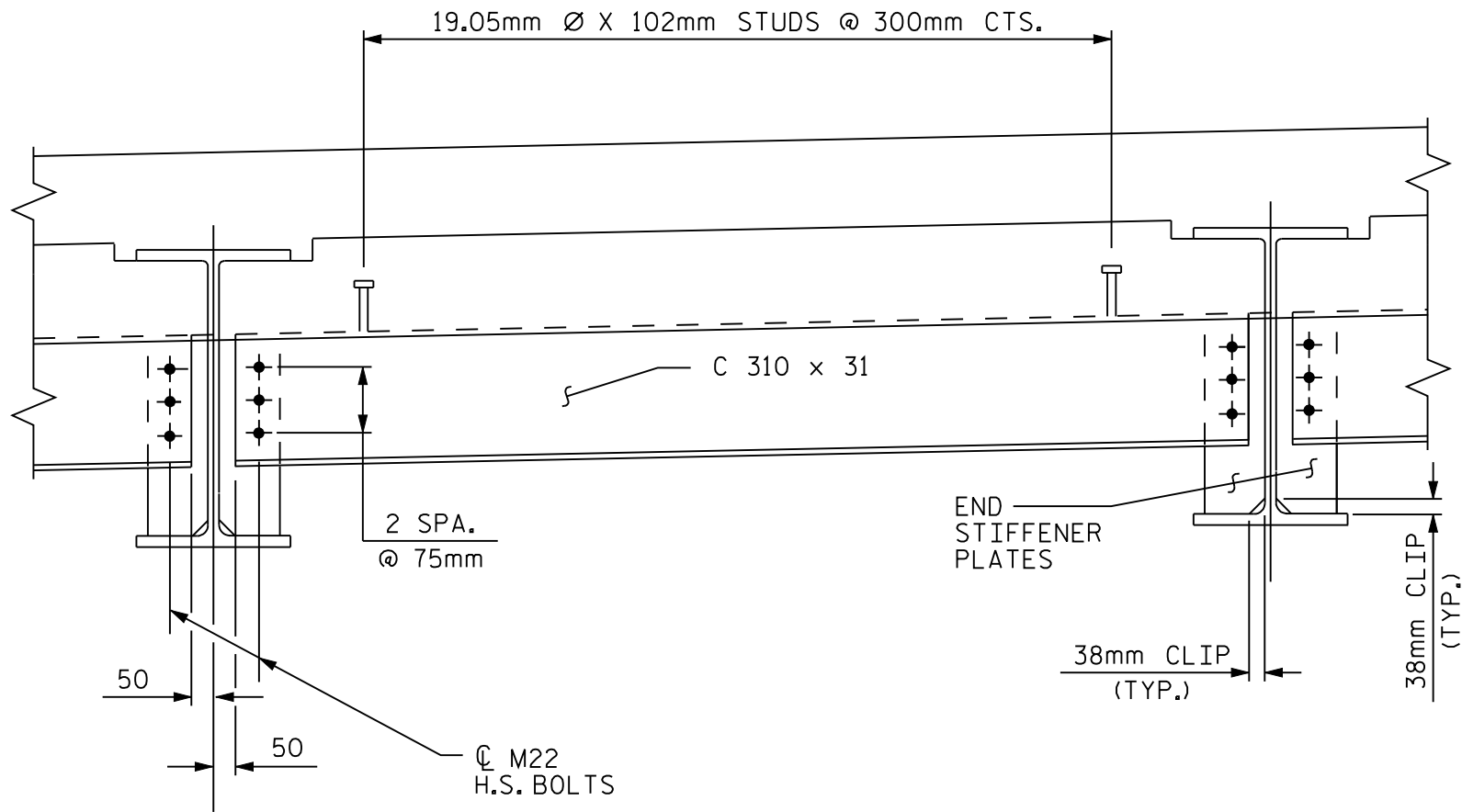


FIGURE 6 - 95



TYPICAL BENT DIAPHRAGM FOR
ROLLED BEAMS THROUGH 27" DEEP

FIGURE 6 - 95 M



TYPICAL BENT DIAPHRAGM FOR
ROLLED BEAMS THROUGH 690mm DEEP