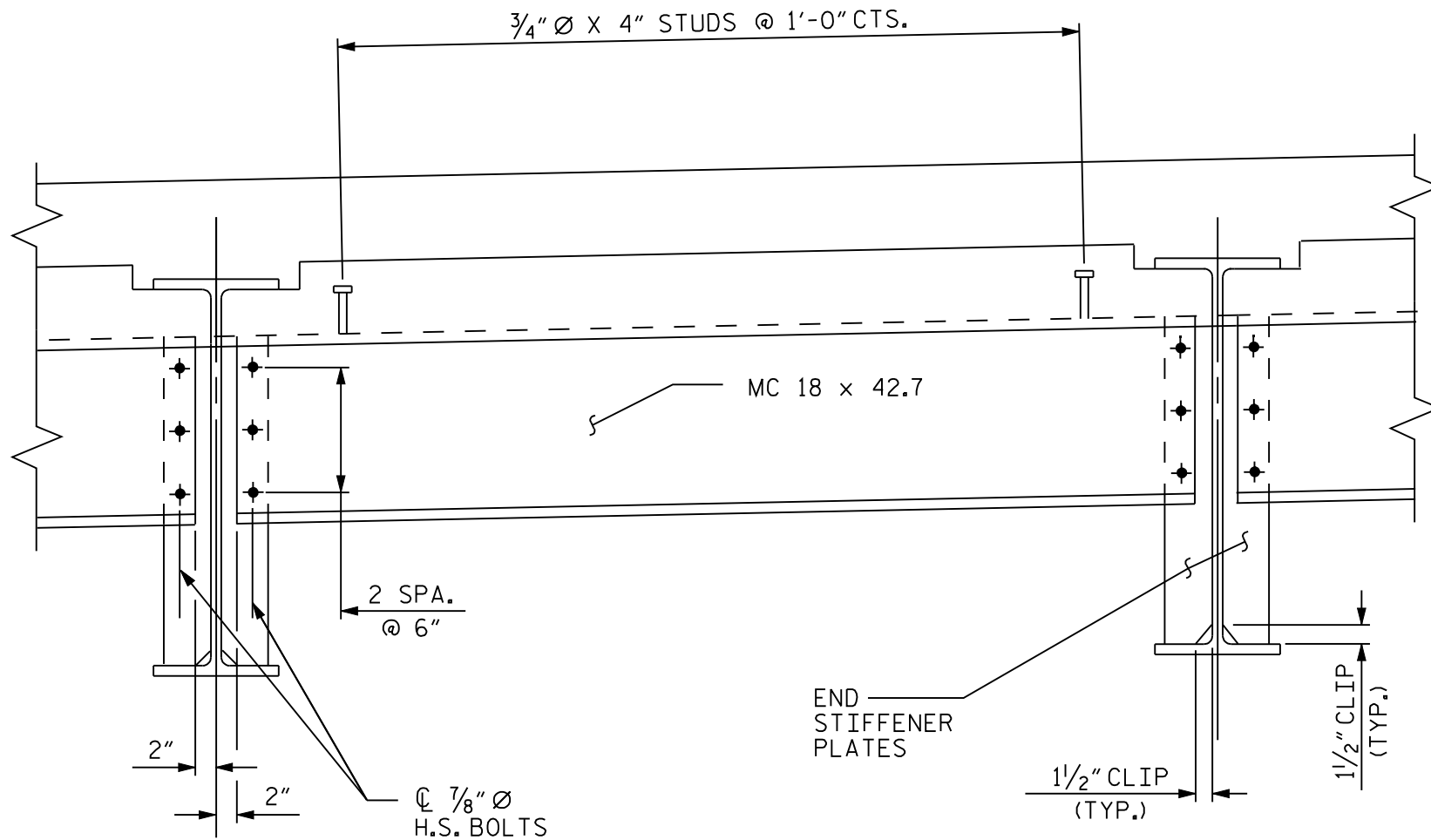
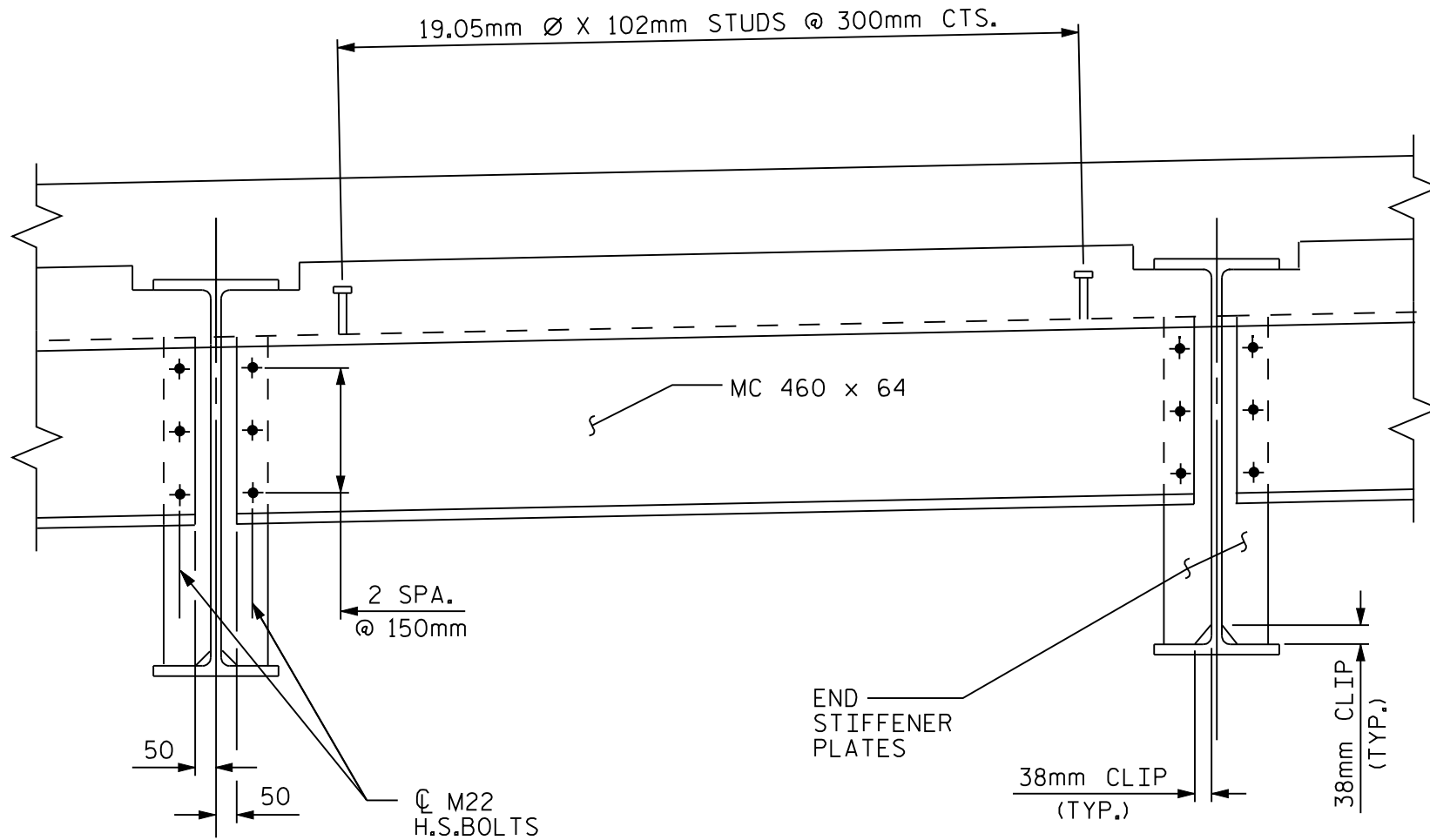


FIGURE 6 - 97



TYPICAL BENT DIAPHRAGM FOR  
ROLLED BEAMS 36" DEEP

FIGURE 6 - 97 M



TYPICAL BENT DIAPHRAGM FOR  
ROLLED BEAMS 920mm DEEP