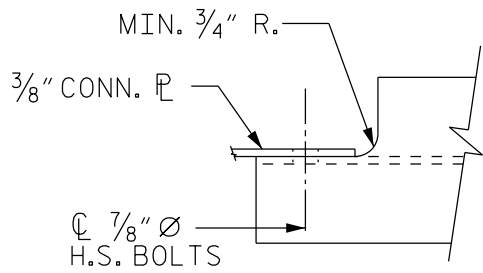
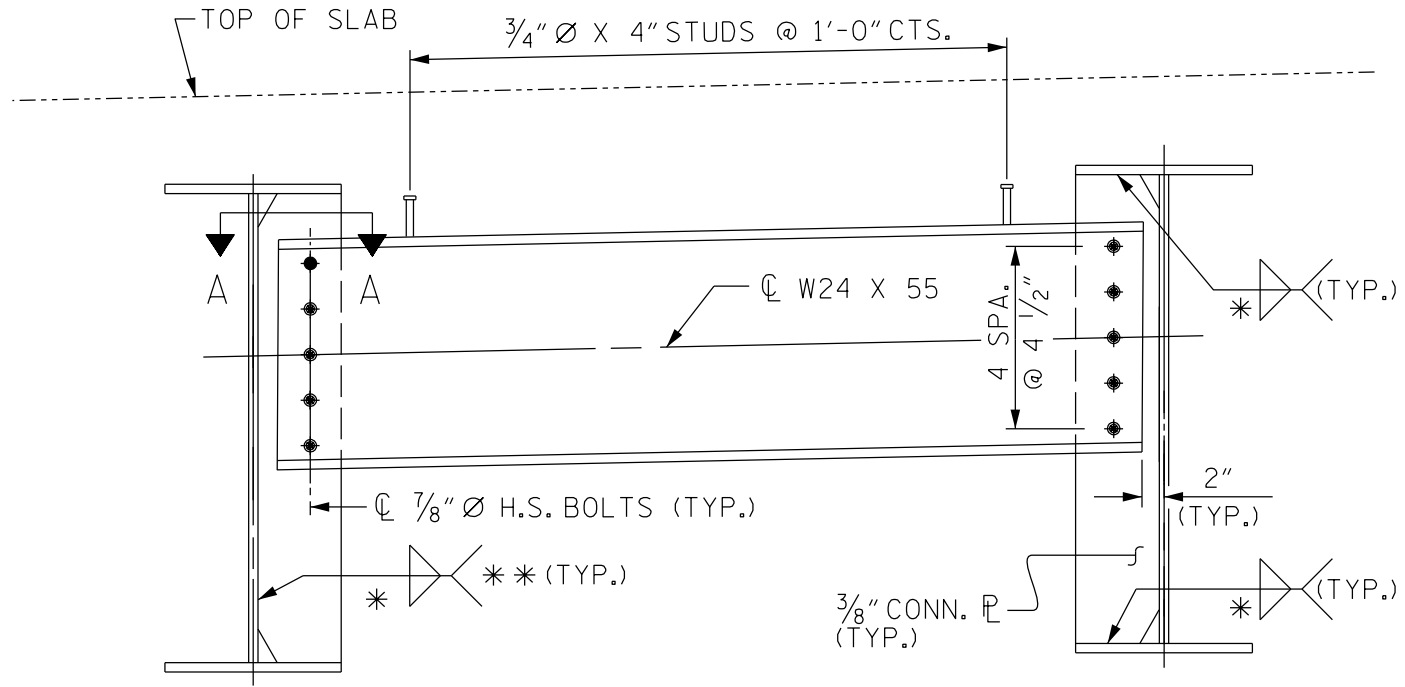


FIGURE 6 - 98

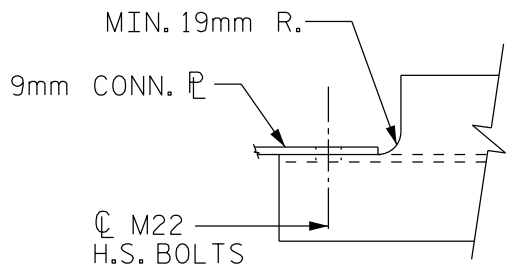
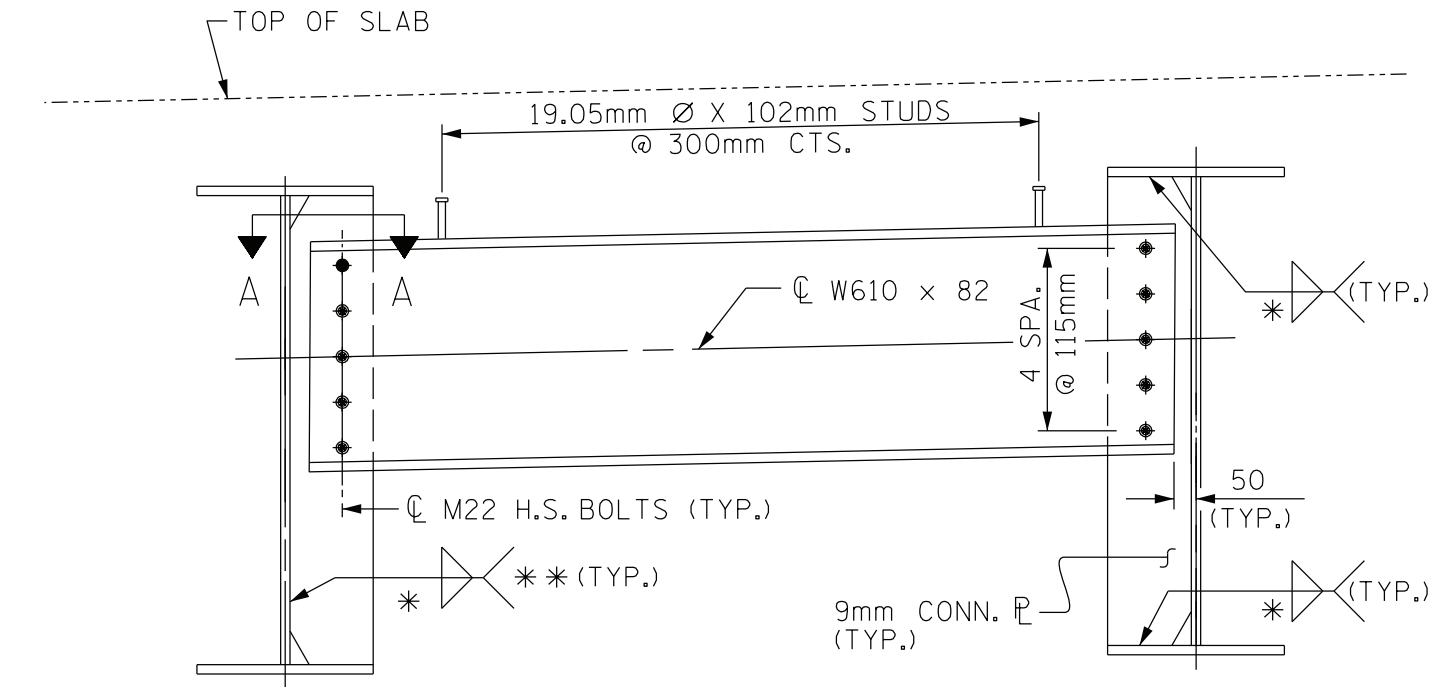


SECTION A-A

- * SHOW WELD SIZE
- ** SEE FIGURE 6-114 FOR WELD DETAILS.
- SEE FIGURE 6-113 FOR WELD TERMINATION DETAILS.
- SEE FIGURE 6-101 FOR CLIP SIZE.

TYPICAL BENT DIAPHRAGM FOR
PLATE GIRDERS THROUGH 48" DEEP

FIGURE 6 - 98 M



SECTION A-A

- * SHOW WELD SIZE
- ** SEE FIGURE 6-114 FOR WELD DETAILS.
- SEE FIGURE 6-113 FOR WELD TERMINATION DETAILS.
- SEE FIGURE 6-101 FOR CLIP SIZE.

TYPICAL BENT DIAPHRAGM FOR
PLATE GIRDERS THROUGH 1220mm DEEP