

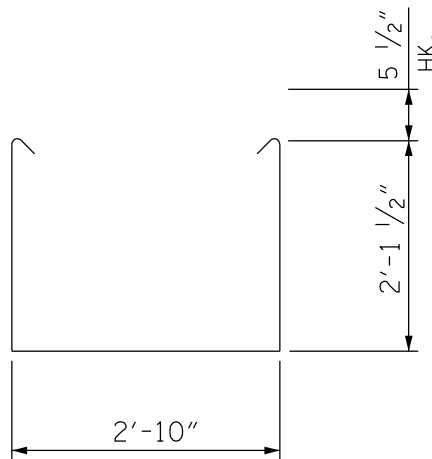
SECTION THRU CAP

EXAMPLE: ASSUME -- 3'-2" WIDE X 2'-6" DEEP CAP
#5 STIRRUPS

$$\text{STIRRUP HEIGHT} = (2'-6") - (3" - \frac{1}{16}") - (2") = 2'-1 \frac{1}{16}"$$

$$\text{ROUND DOWN TO NEXT LOWER } \frac{1}{2}" = 2'-1 \frac{1}{2}"$$

$$\text{STIRRUP WIDTH} = (3'-2") - (2 \times 2") = 2'-10"$$



NOTE #1: BASE LENGTH OF STIRRUP LEG ON 2" MINIMUM CLEARANCE

NOTE TO DETAILER:

SEE SECTION 10.5.1 OF DESIGN MANUAL FOR CLEARANCE REQUIREMENTS AT CORROSIVE AND HIGHLY CORROSIVE SITES.

DETAIL OF REINFORCING IN BENT CAP

FIGURE 10 - 10