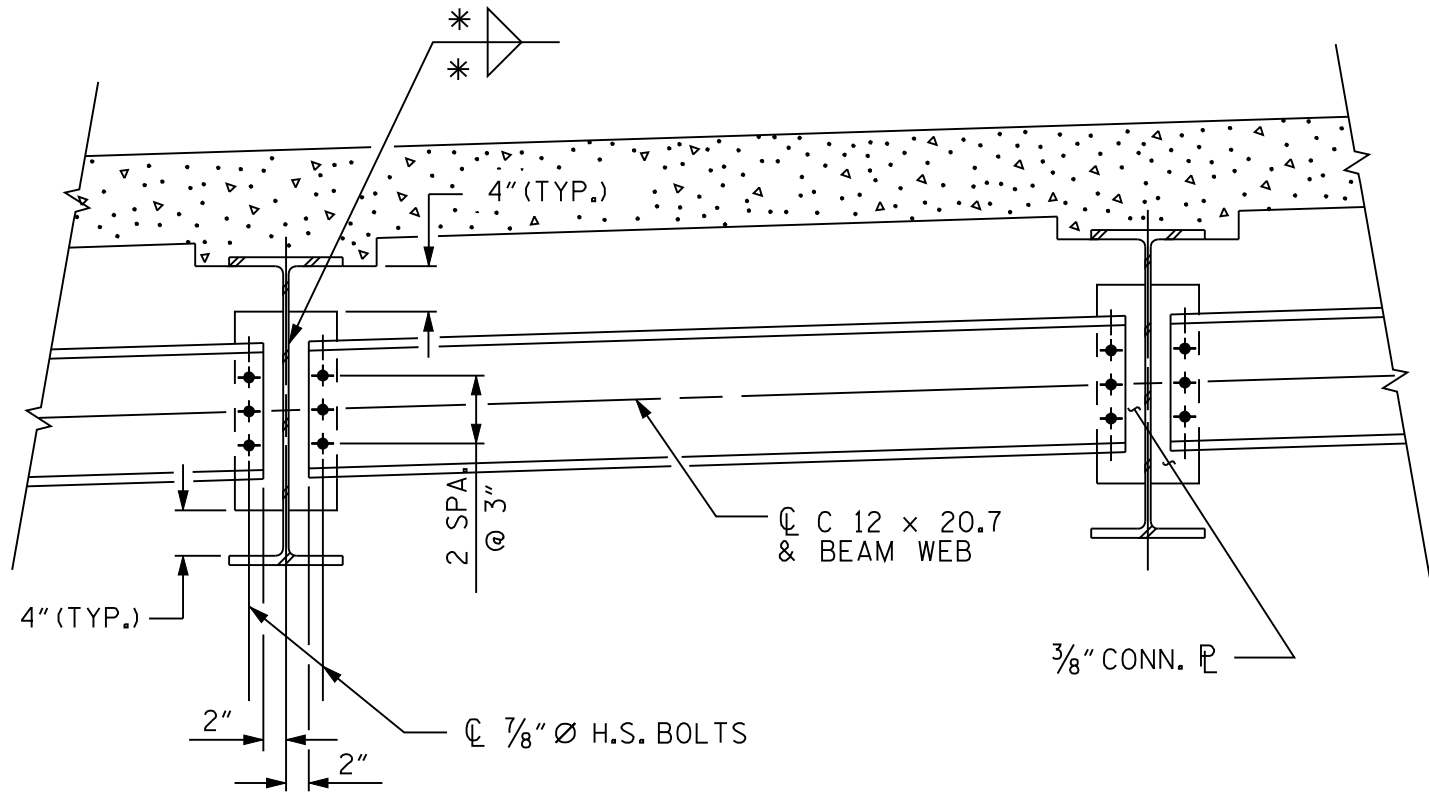


FIGURE 6 - 102

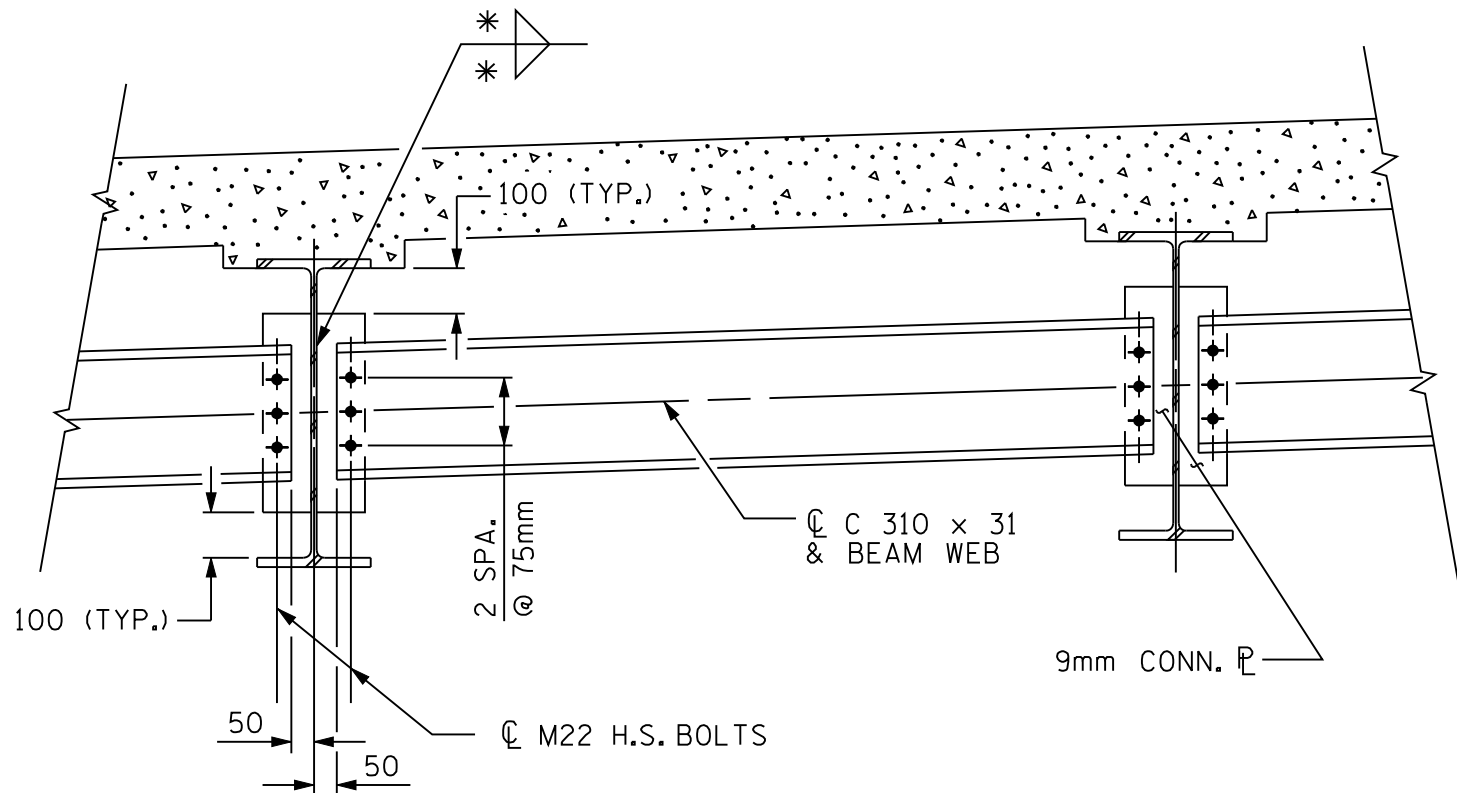


* SHOW WELD SIZE

SEE FIGURE 6-113 FOR WELD TERMINATION DETAILS

TYPICAL INTERMEDIATE DIAPHRAGM
FOR ROLLED BEAMS THROUGH 27" DEEP

FIGURE 6 - 102 M



TYPICAL INTERMEDIATE DIAPHRAGM
FOR ROLLED BEAMS THROUGH 690mm DEEP