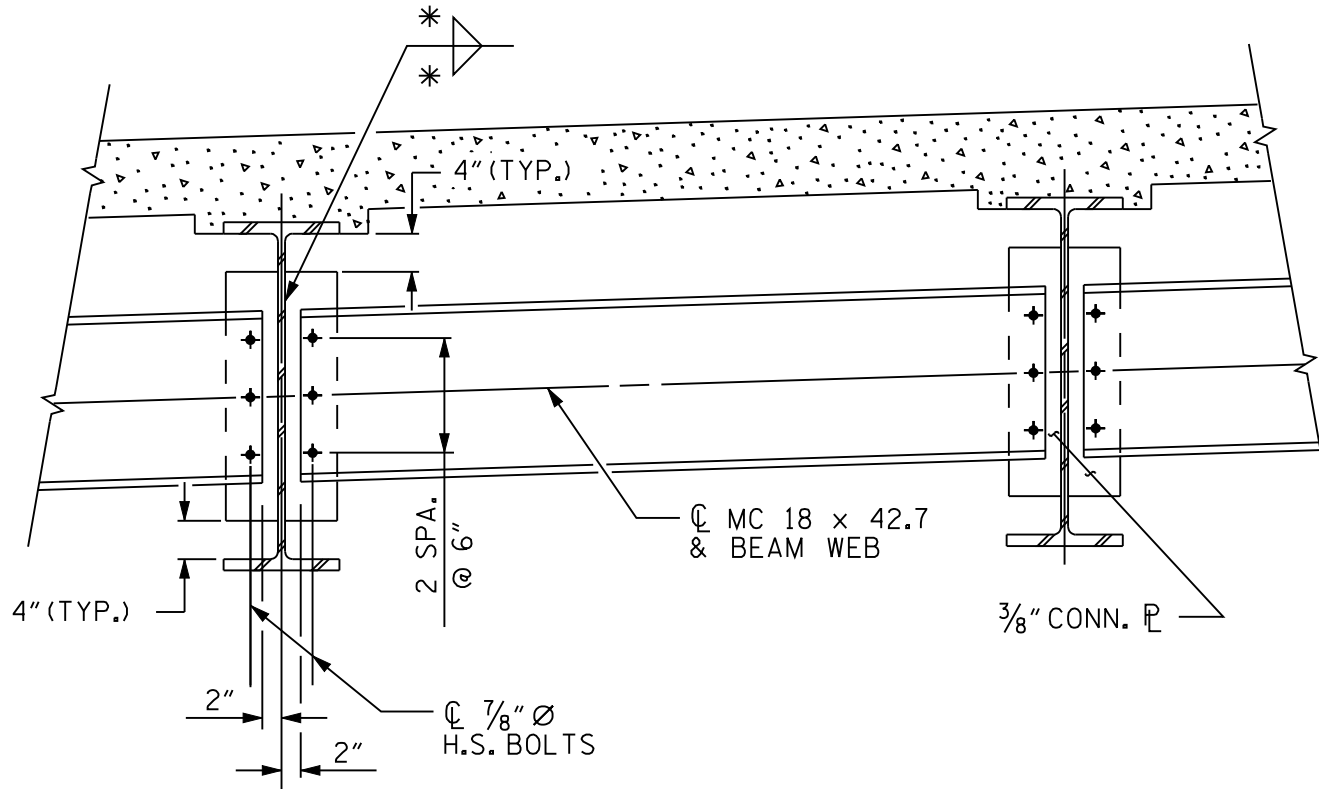


FIGURE 6 - 104

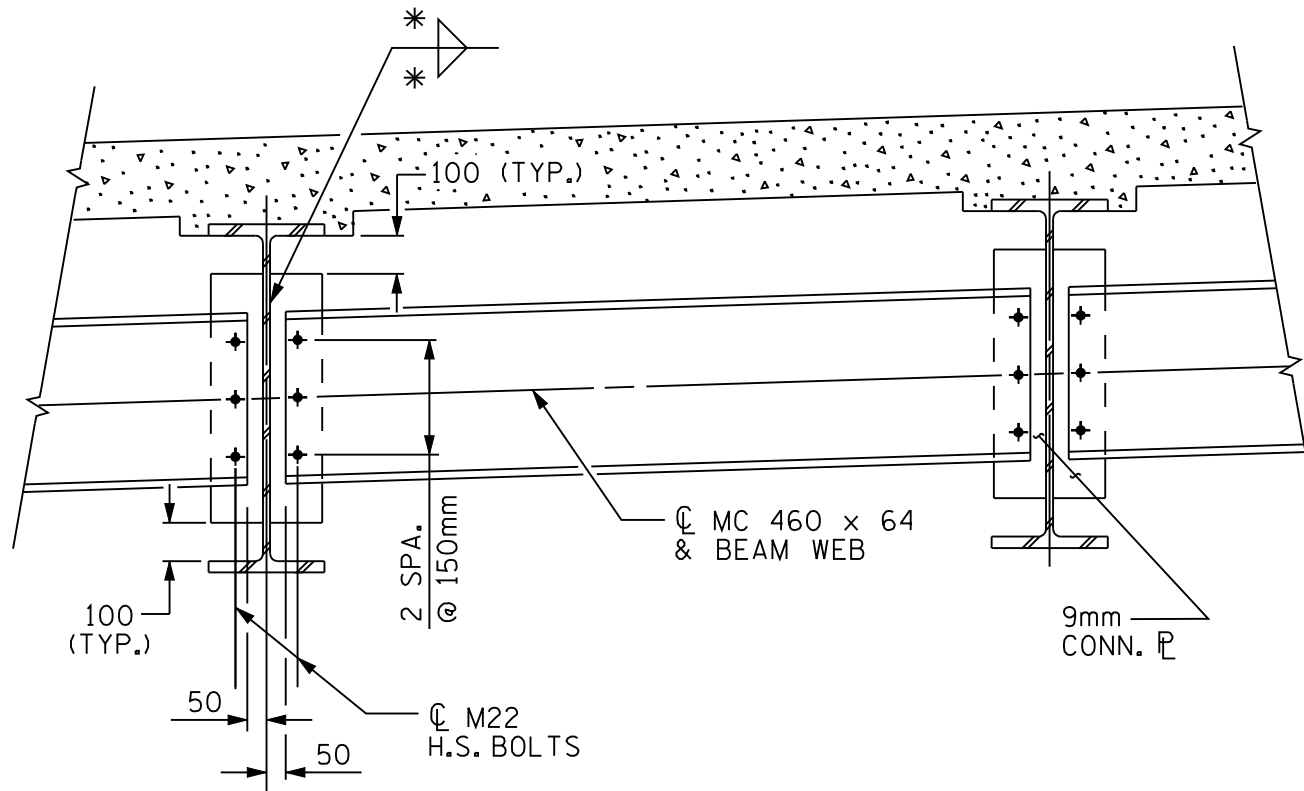


\* SHOW WELD SIZE

SEE FIGURE 6-113 FOR WELD TERMINATION DETAILS.

TYPICAL INTERMEDIATE DIAPHRAGM  
FOR ROLLED BEAMS 36" DEEP

FIGURE 6 - 104 M



\* SHOW WELD SIZE

SEE FIGURE 6-113 FOR WELD TERMINATION DETAILS.

TYPICAL INTERMEDIATE DIAPHRAGM  
FOR ROLLED BEAMS 920mm DEEP