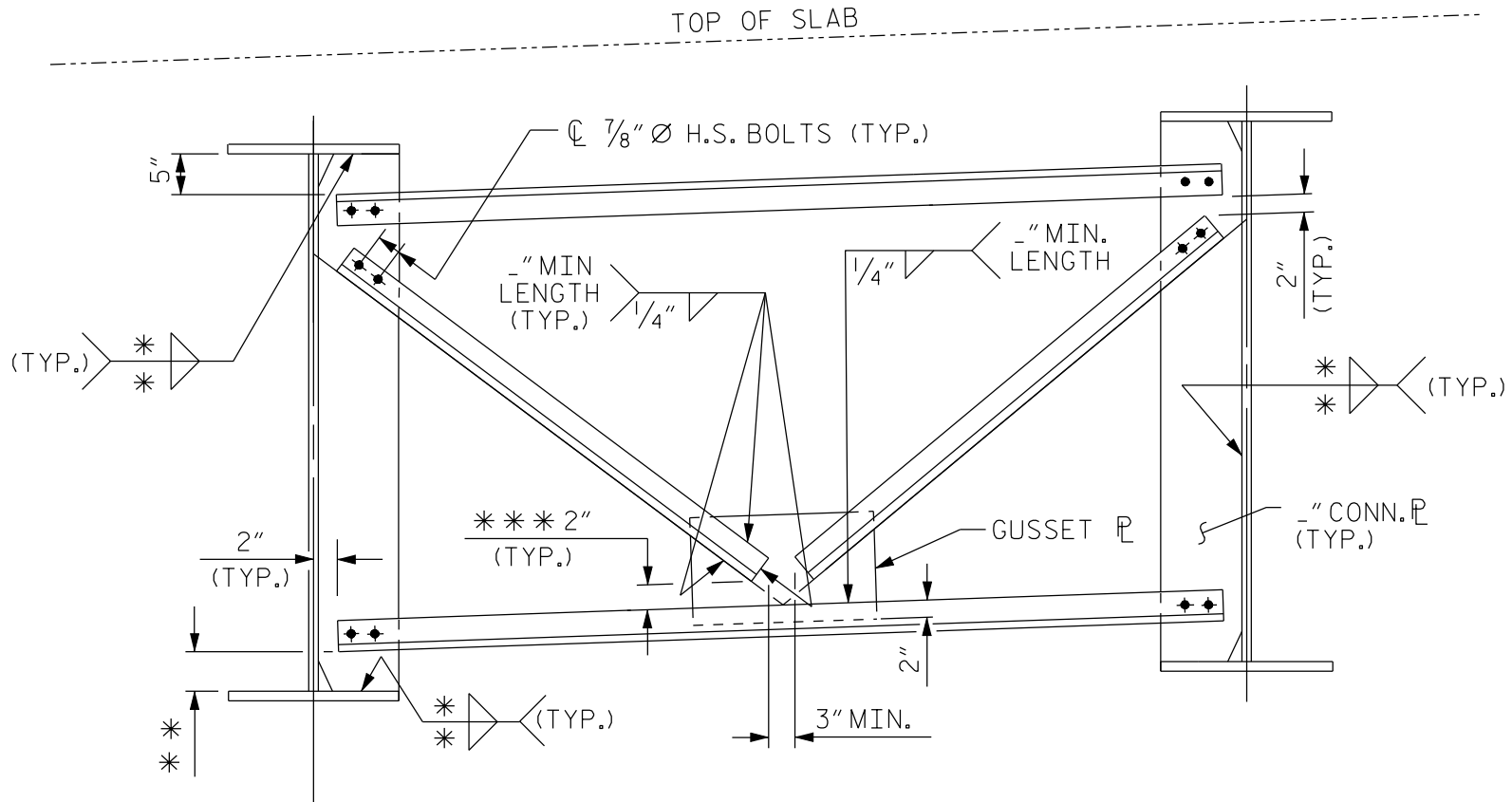


FIGURE 6 - 106



* = SHOW WELD SIZE

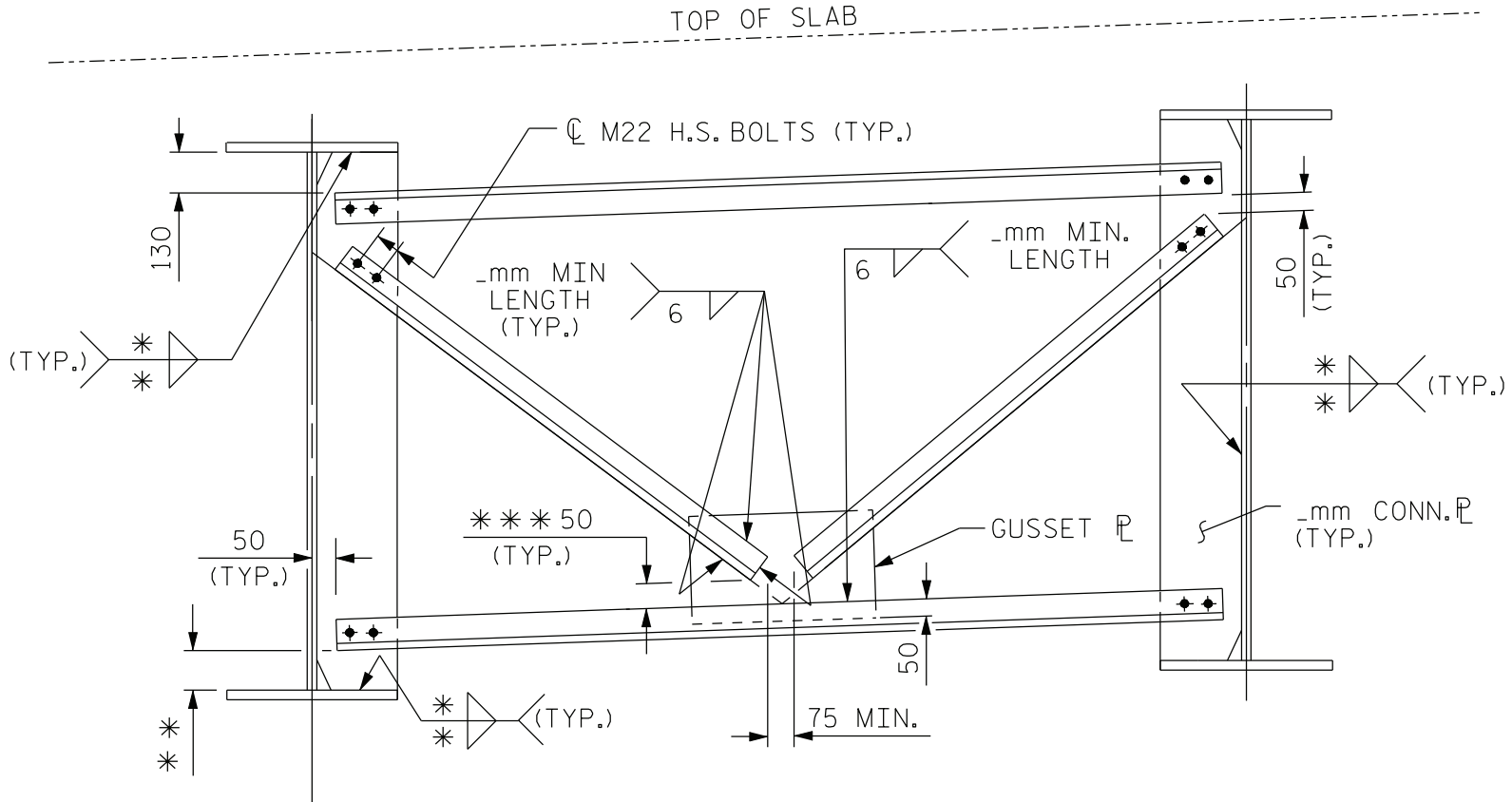
** = CLIP SIZE + 1/2" (MIN). FOR CLIP SIZE, SEE FIGURE 6-101.

*** = THIS DIMENSION MAY NEED TO BE INCREASED TO PROVIDE 3" CLEARANCE BETWEEN CROSS ANGLES.

SEE FIGURE 6-113 FOR WELD TERMINATION DETAILS.

TYPICAL INTERMEDIATE DIAPHRAGM
FOR PLATE GIRDERS 49" THROUGH 60" DEEP

FIGURE 6 - 106 M



* = SHOW WELD SIZE

** = CLIP SIZE + 13mm (MIN). FOR CLIP SIZE, SEE FIGURE 6-101.

*** = THIS DIMENSION MAY NEED TO BE INCREASED TO PROVIDE 75mm CLEARANCE BETWEEN CROSS ANGLES.

SEE FIGURE 6-113 FOR WELD TERMINATION DETAILS.

TYPICAL INTERMEDIATE DIAPHRAGM FOR
 PLATE GIRDER 1245mm THROUGH 1525mm DEEP