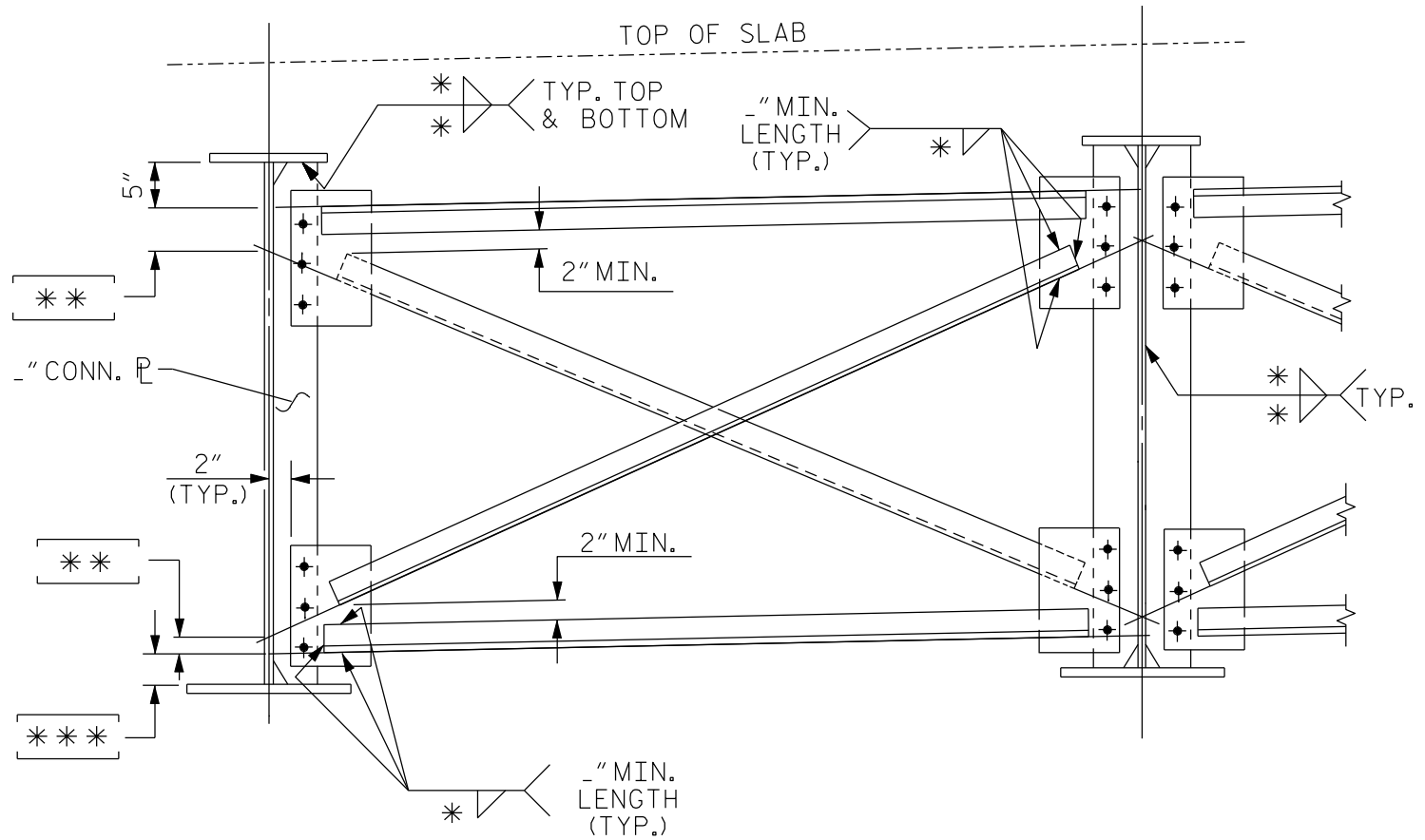


FIGURE 6 - 107



* = SHOW WELD SIZE.

** = SET DIMENSION TO PROVIDE 2" MINIMUM AS SHOWN.

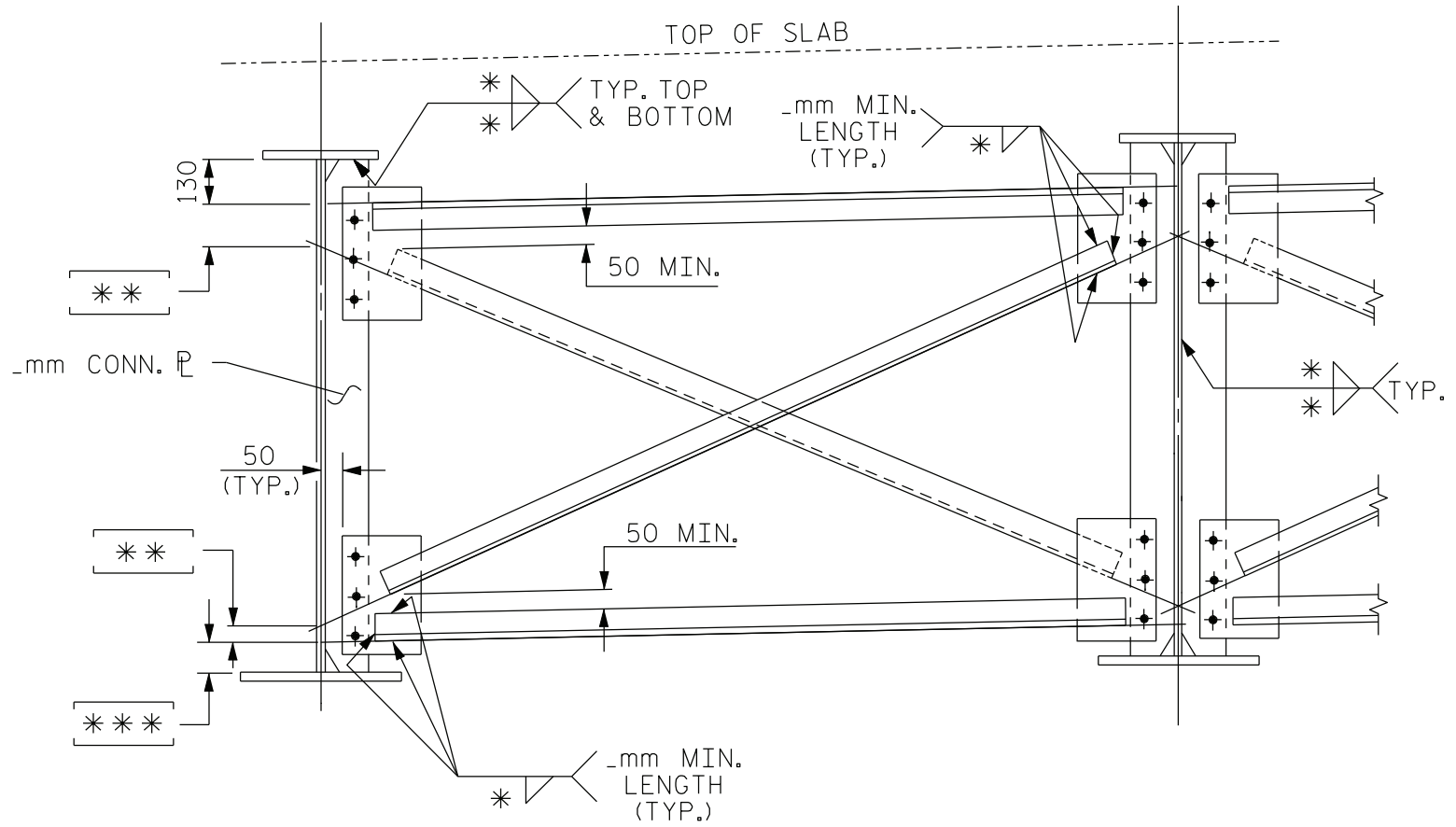
*** = CLIP SIZE + 1/2". FOR CLIP SIZE, SEE FIGURE 6-101.

SEE FIGURE 6-113 FOR WELD TERMINATION DETAILS.

TYPICAL OPTIONAL INTERMEDIATE CROSSFRAME
FOR PLATE GIRDERS MORE THAN 60" DEEP

WITHOUT LATERAL BRACING - WITH WELDED GUSSET PLATES

FIGURE 6 - 107 M



* = SHOW WELD SIZE.

** = SET DIMENSION TO PROVIDE 50mm MINIMUM AS SHOWN.

*** = CLIP SIZE + 13mm. FOR CLIP SIZE, SEE FIGURE 6-101.

SEE FIGURE 6-113 FOR WELD TERMINATION DETAILS.

TYPICAL OPTIONAL INTERMEDIATE CROSSFRAME
FOR PLATE GIRDERS MORE THAN 1525mm DEEP

WITHOUT LATERAL BRACING - WITH WELDED GUSSET PLATES