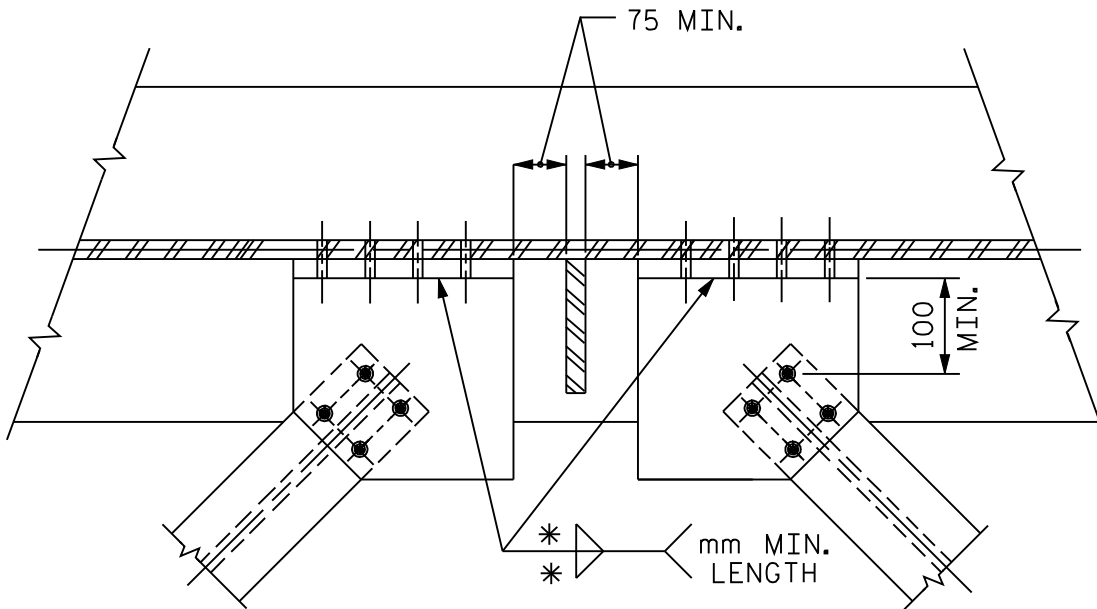


TYPICAL LATERAL BRACING DETAILS
AT INTERMEDIATE STIFFENERS

FIGURE 6 - 111



* = SHOW WELD SIZE

TYPICAL LATERAL BRACING DETAILS
AT INTERMEDIATE STIFFENERS

FIGURE 6 - 111 M