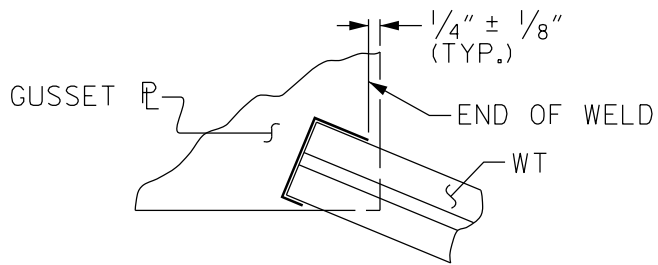


TYPICAL GUSSET
PLATE CONNECTION



TYPICAL "TEE" TO
GUSSET PLATE CONNECTION

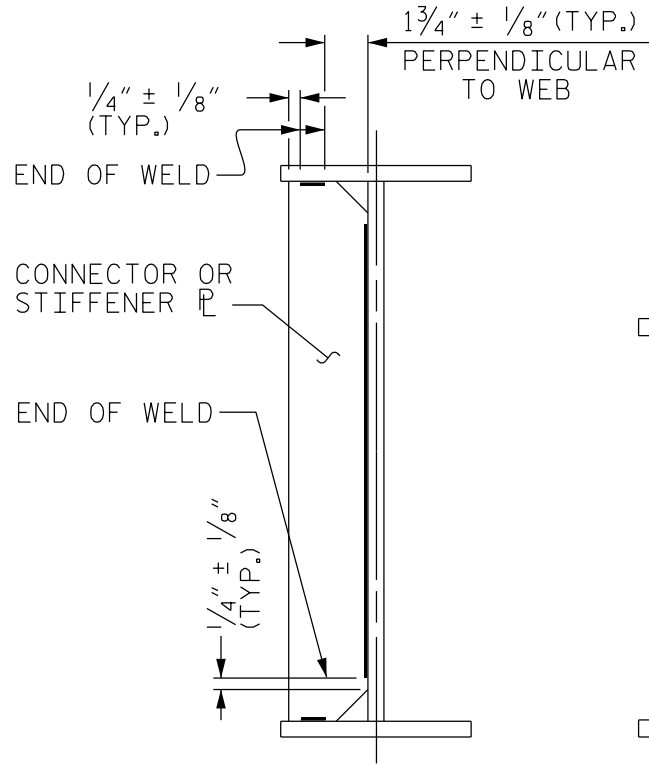
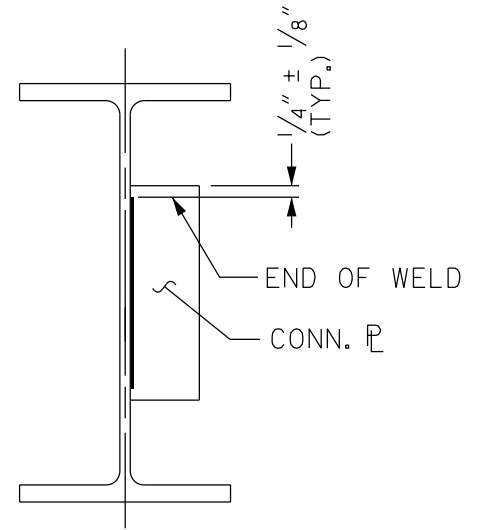


PLATE GIRDER

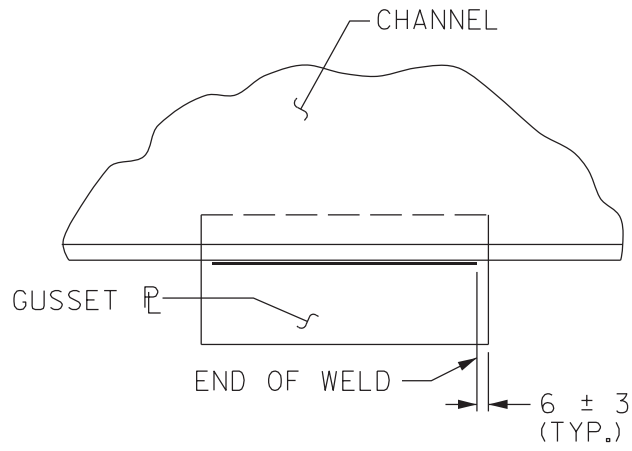


ROLLED BEAM

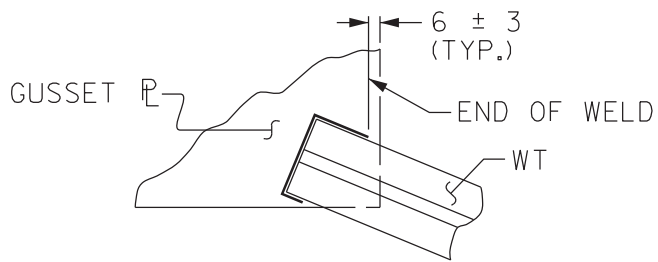
TYPICAL STIFFENER OR
CONNECTOR PLATE CONNECTIONS

WELD TERMINATION DETAILS

FIGURE 6 - II3 M



TYPICAL GUSSET
PLATE CONNECTION



TYPICAL "TEE" TO
GUSSET PLATE CONNECTION

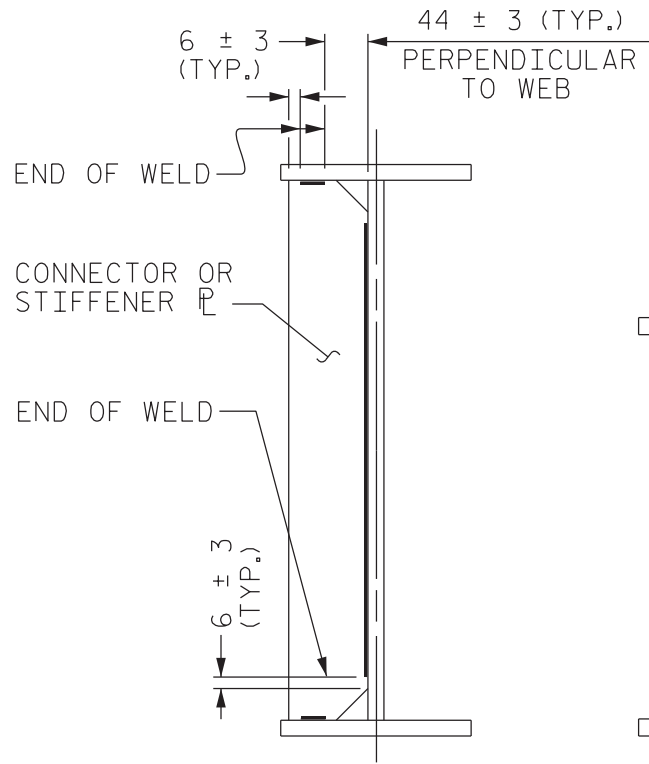
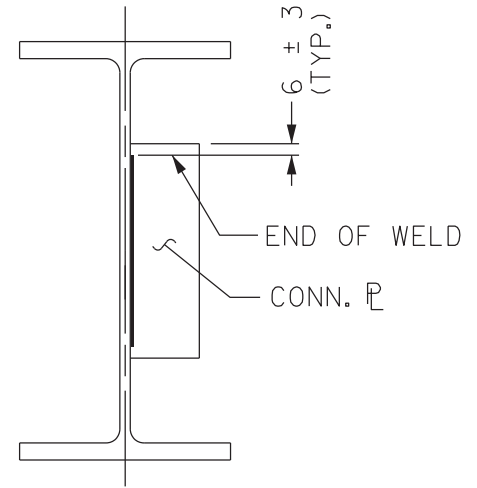


PLATE GIRDER



ROLLED BEAM

TYPICAL STIFFENER OR
CONNECTOR PLATE CONNECTIONS

WELD TERMINATION DETAILS