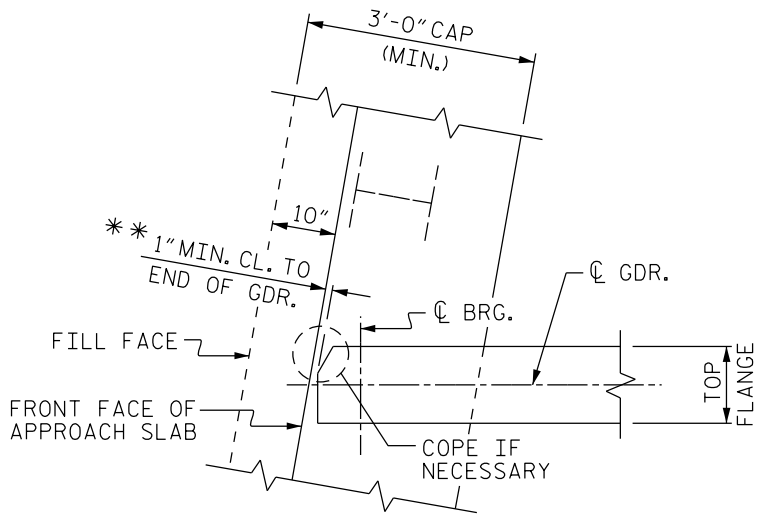


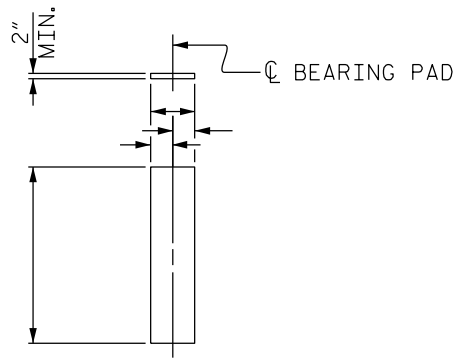
END OF GIRDER DETAIL AT INTEGRAL END BENT

* DIAMETER OF HOLES IN WEB MAY BE INCREASED TO ACCOMMODATE SKEW



PLAN OF GIRDER AT INTEGRAL END BENT

** DO NOT SHOW THIS DIMENSION ON PLANS



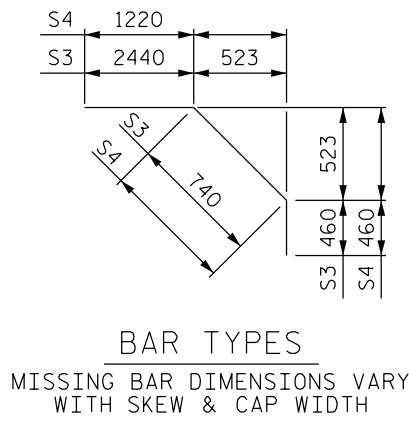
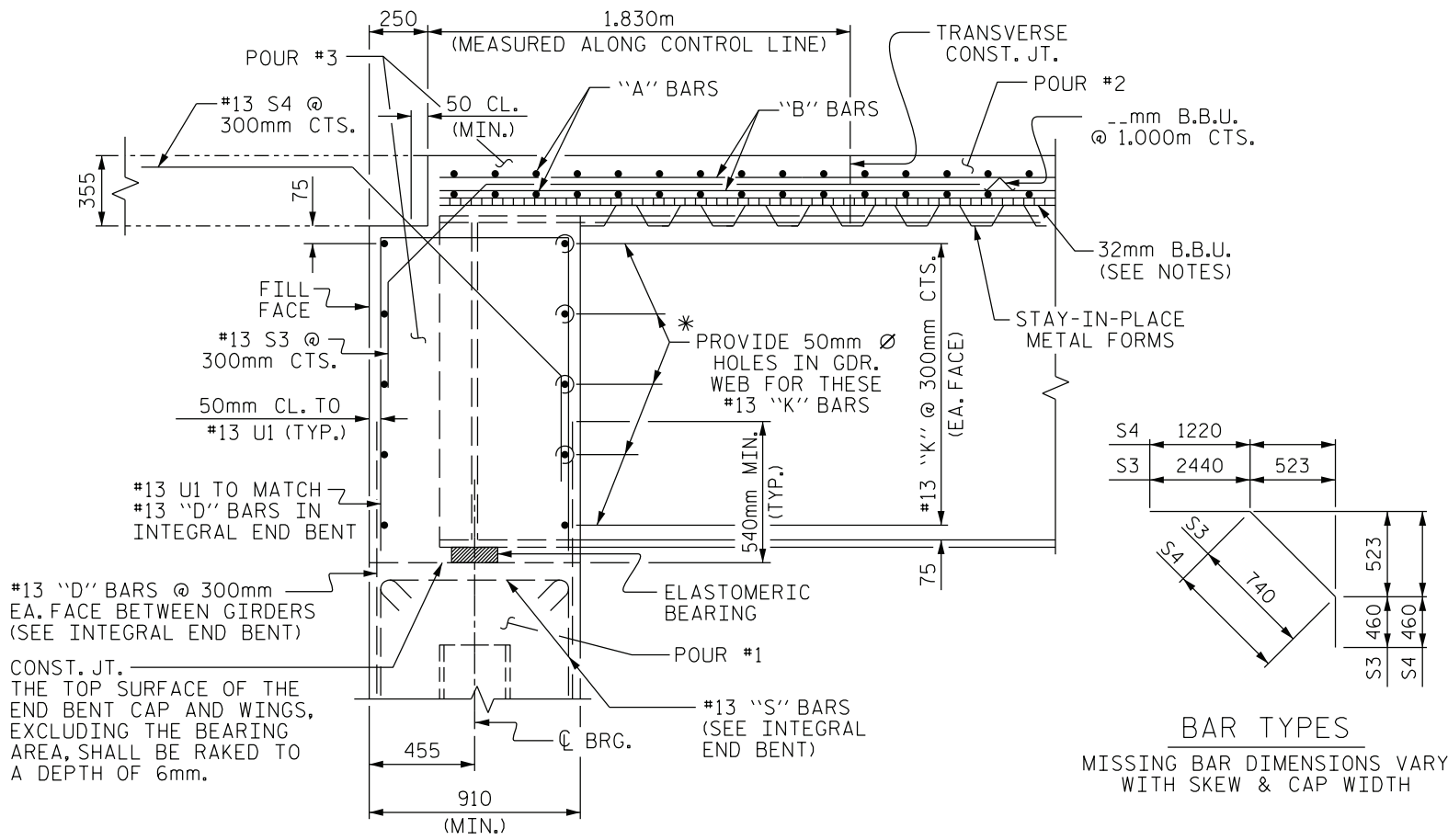
(TYPE - - - REQ'D)

ELASTOMERIC BEARING DETAIL

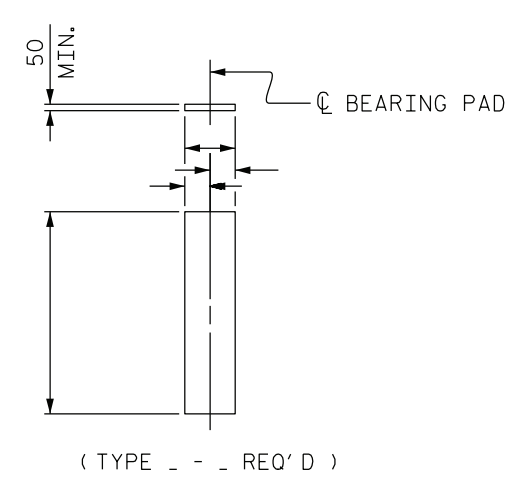
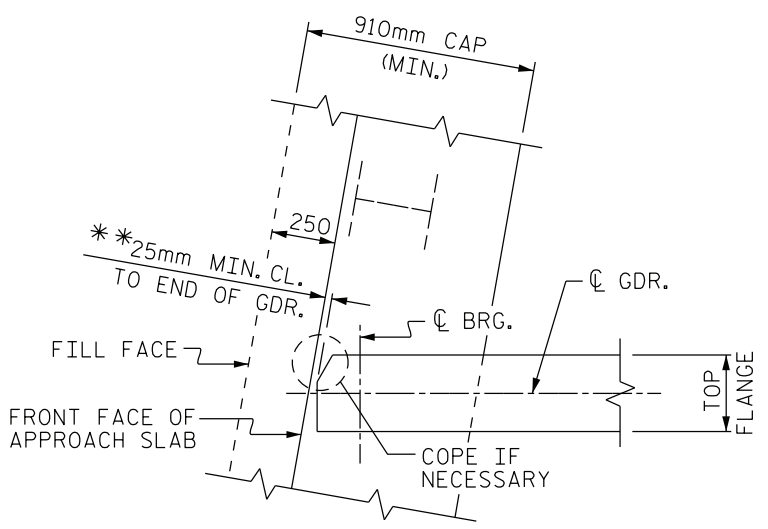
INTEGRAL END BENT DETAILS

STEEL SUPERSTRUCTURE

FIGURE 6 - 119



END OF GIRDER DETAIL AT INTEGRAL END BENT
 * DIAMETER OF HOLES IN WEB MAY BE INCREASED TO ACCOMMODATE SKEW



PLAN OF GIRDER AT INTEGRAL END BENT
 ** DO NOT SHOW THIS DIMENSION ON PLANS

ELASTOMERIC BEARING DETAIL

INTEGRAL END BENT DETAILS
 STEEL SUPERSTRUCTURE