

TABLE FOR LOADS AND MOVEMENT

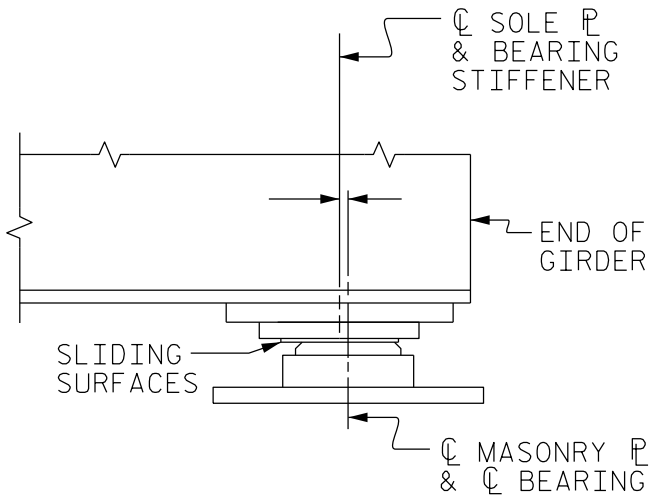
BEARING	LOCATION	UNFACTORED				FACTORED	TOTAL MOVEMENT (INCHES)
		VERTICAL LOAD (KIPS)				LATERAL LOAD (KIPS)	
		DEAD		LIVE	TOTAL		
		DC	DW	LL+IM			
PB1 (FIXED)							
PB2 (EXP.)							

TABLE FOR PLATE SETTING DATA

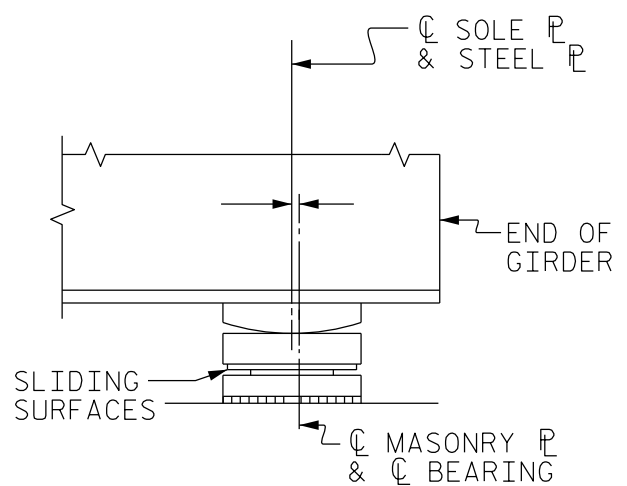
(FOR EXPANSION POT AND TFE BEARINGS)

TEMPERATURE AT TIME OF SETTING	30° F	60° F	90° F	*
BENT 1				
BENT 3				

* CORRECTION FOR END ROTATION DUE TO WEIGHT OF SLAB AND COMPOSITE DEAD LOAD.



POT BEARING



TFE BEARING

TEMPERATURE SETTING DETAIL

FIGURE 6 - 124

TABLE FOR LOADS AND MOVEMENT

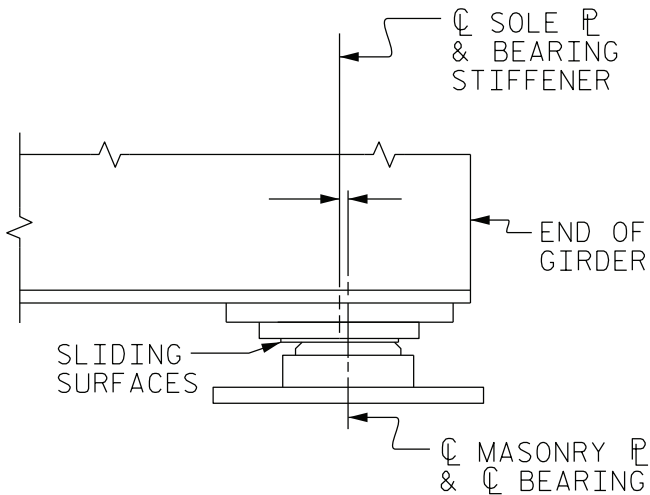
BEARING	LOCATION	UNFACTORED				FACTORED	TOTAL MOVEMENT (mm)
		VERTICAL LOAD (kN)				LATERAL LOAD (kN)	
		DEAD		LIVE	TOTAL		
		DC	DW	LL+IM			
PB1 (FIXED)							
PB2 (EXP.)							

TABLE FOR PLATE SETTING DATA

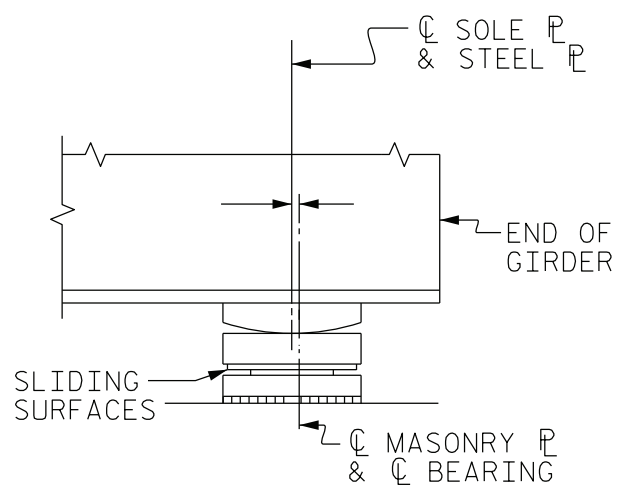
(FOR EXPANSION POT AND TFE BEARINGS)

TEMPERATURE AT TIME OF SETTING	0° C	16° C	32° C	*
BENT 1				
BENT 3				

* CORRECTION FOR END ROTATION DUE TO WEIGHT OF SLAB AND COMPOSITE DEAD LOAD.



POT BEARING



TFE BEARING

TEMPERATURE SETTING DETAIL

FIGURE 6 - 124 M