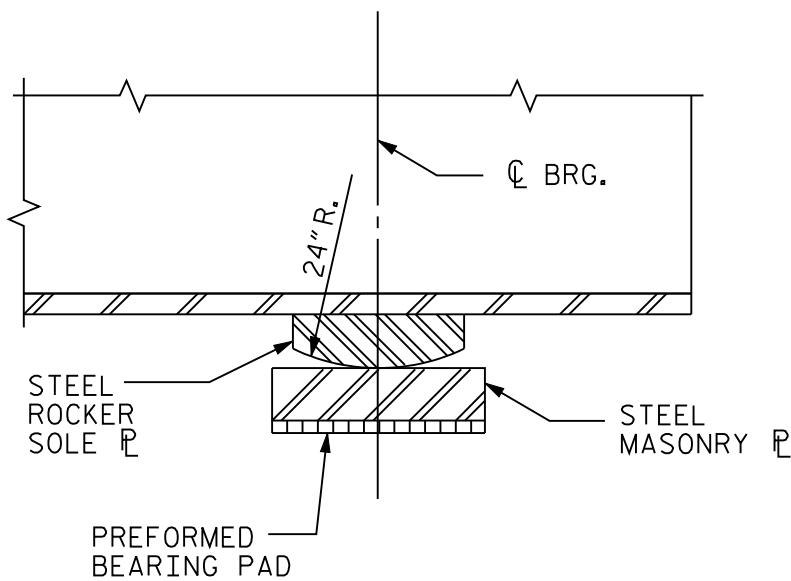


ELEVATION

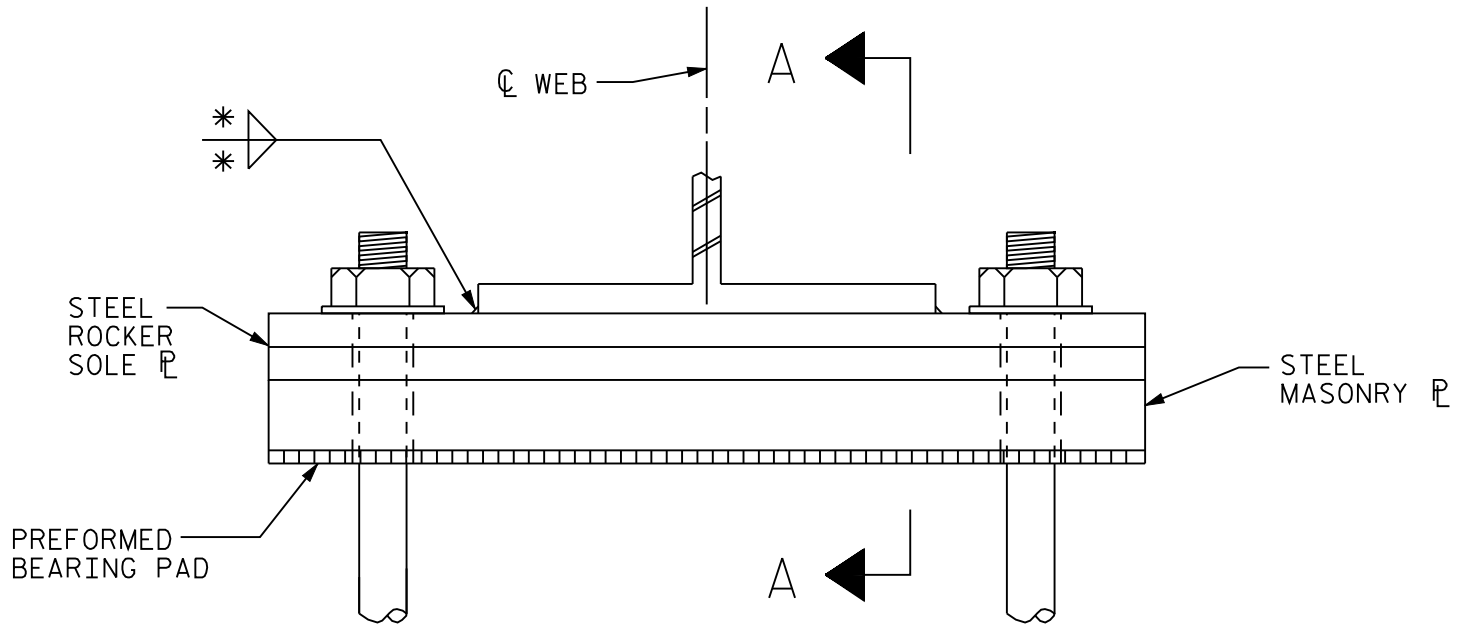
\* = SHOW WELD SIZE



SECTION A-A

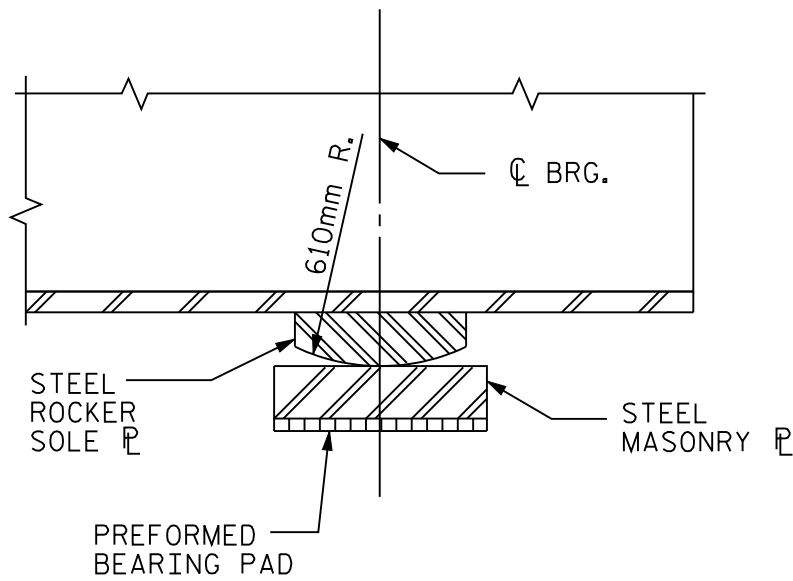
TYPICAL DETAILS  
FOR FIXED BEARINGS

**FIGURE 6 - 130**



ELEVATION

\* = SHOW WELD SIZE



SECTION A-A

TYPICAL DETAILS  
FOR FIXED BEARINGS

**FIGURE 6 - 130 M**