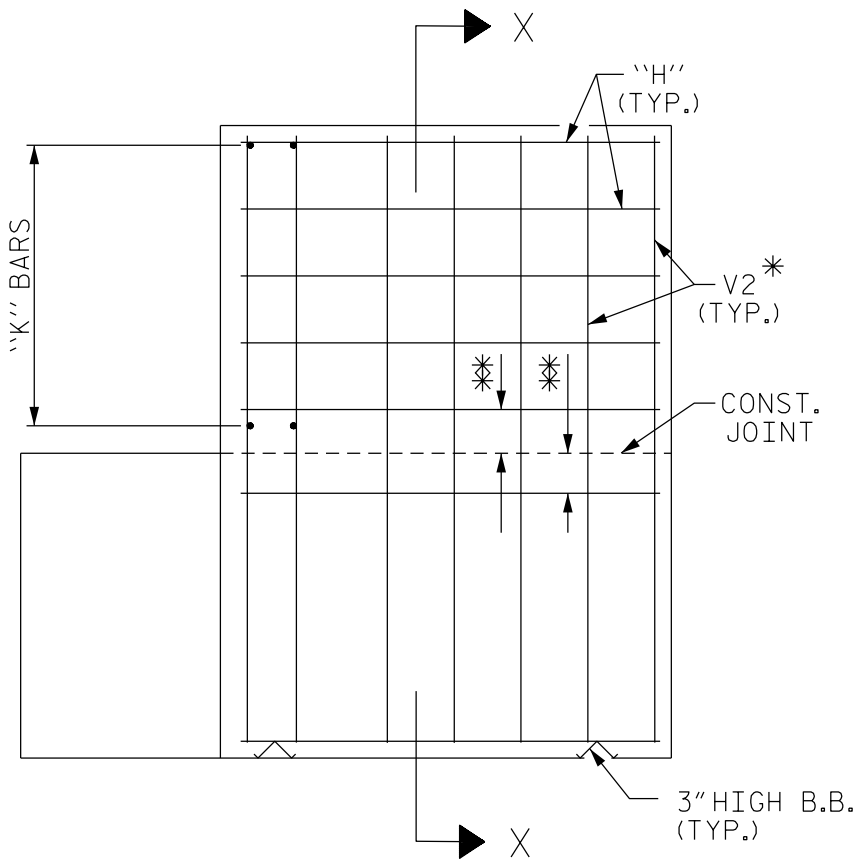


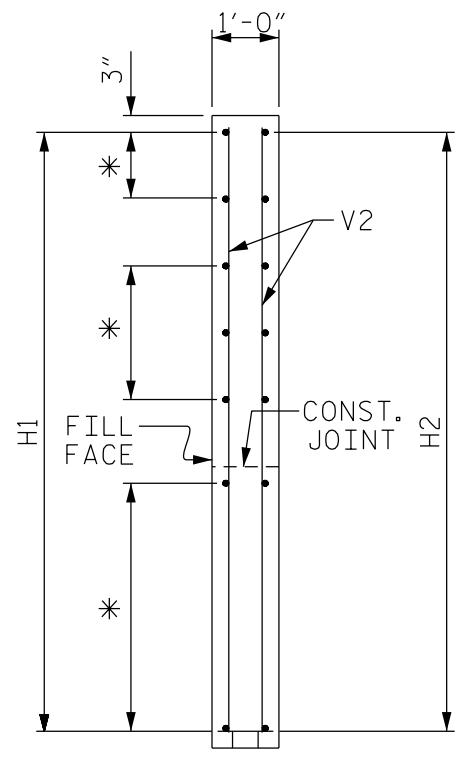
NOTES TO DETAILER:

- * SEE FIGURE 7-19 FOR VERT. AND HORIZ. REBAR SIZE AND SPACING.
- ** CHECK FOR ADEQUATE CONCRETE COVER FOR STEEL. DO NOT SHOW THIS DIMENSION ON THE PLANS.

PLAN OF LEFT WING



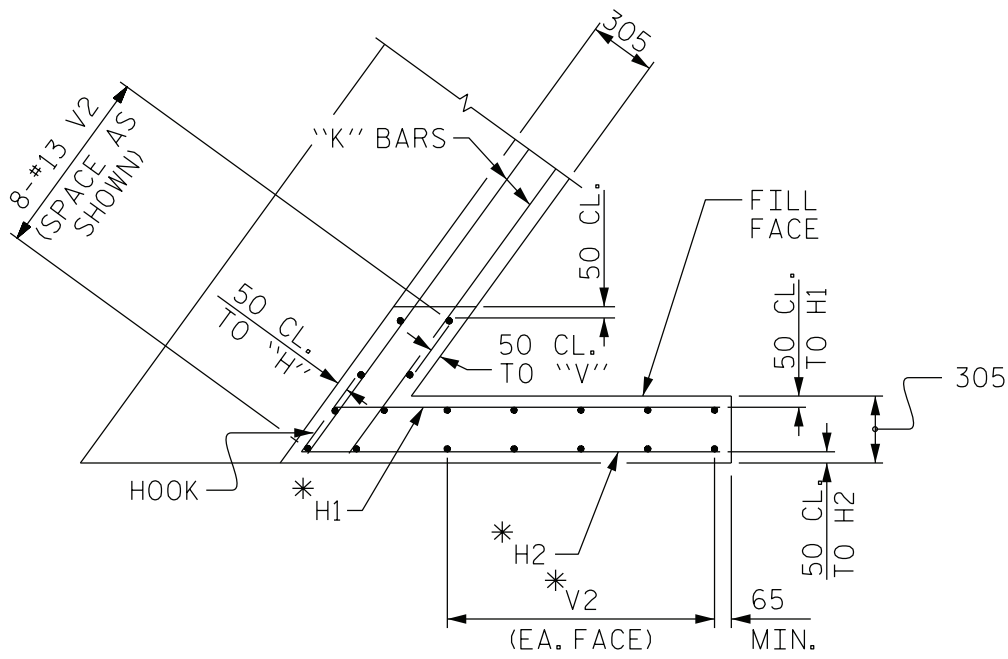
ELEVATION OF LEFT WING



SECTION X-X

REINFORCING FOR TURNED BACK WINGS
(4'-0" DEEP END BENT CAPS)

FIGURE 7 - 13a

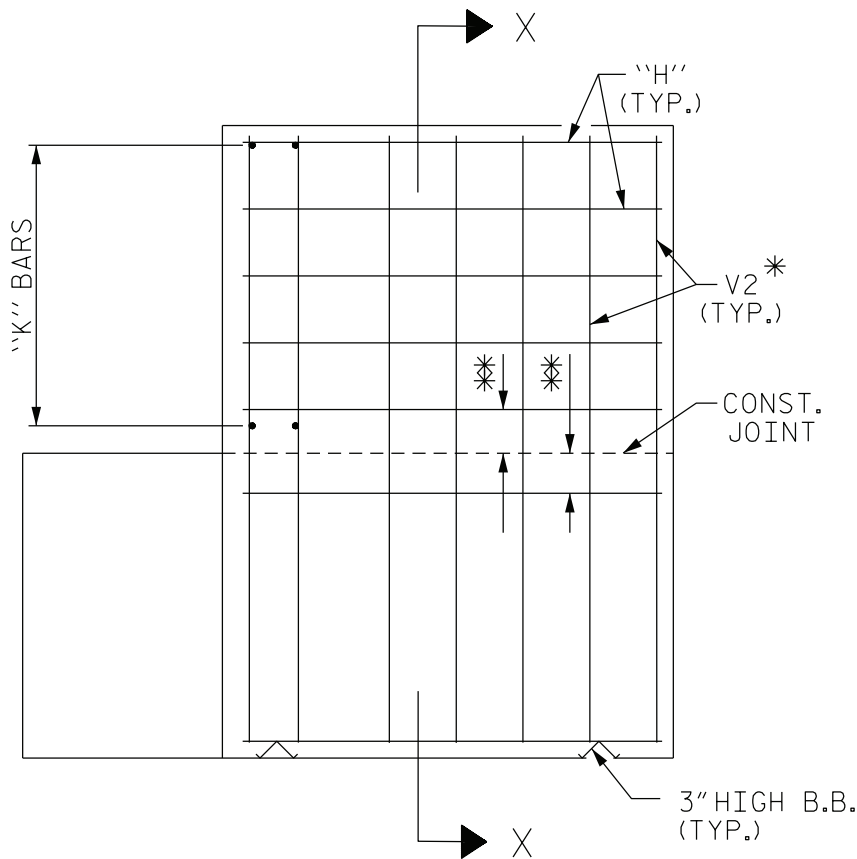


NOTES TO DETAILER:

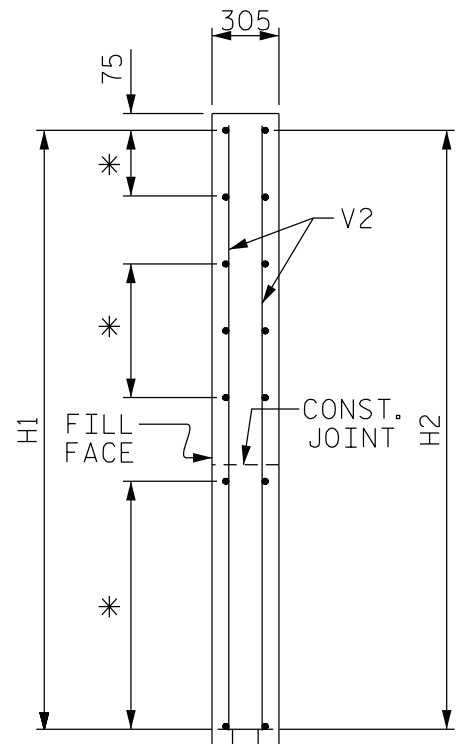
* SEE FIGURE 7-19 FOR VERT. AND HORIZ. REBAR SIZE AND SPACING.

** CHECK FOR ADEQUATE CONCRETE COVER FOR STEEL. DO NOT SHOW THIS DIMENSION ON THE PLANS.

PLAN OF LEFT WING



ELEVATION OF LEFT WING



SECTION X-X

REINFORCING FOR TURNED BACK WINGS
(1.220m DEEP END BENT CAPS)

FIGURE 7 - 13a M