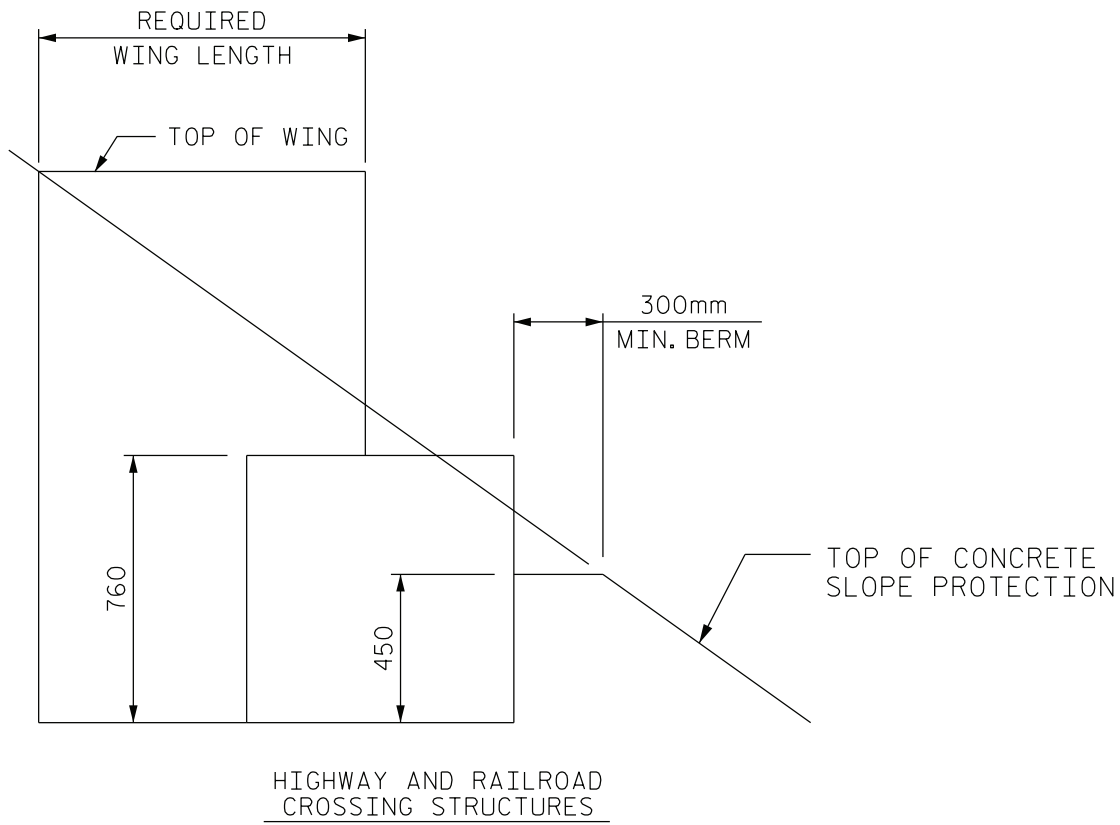
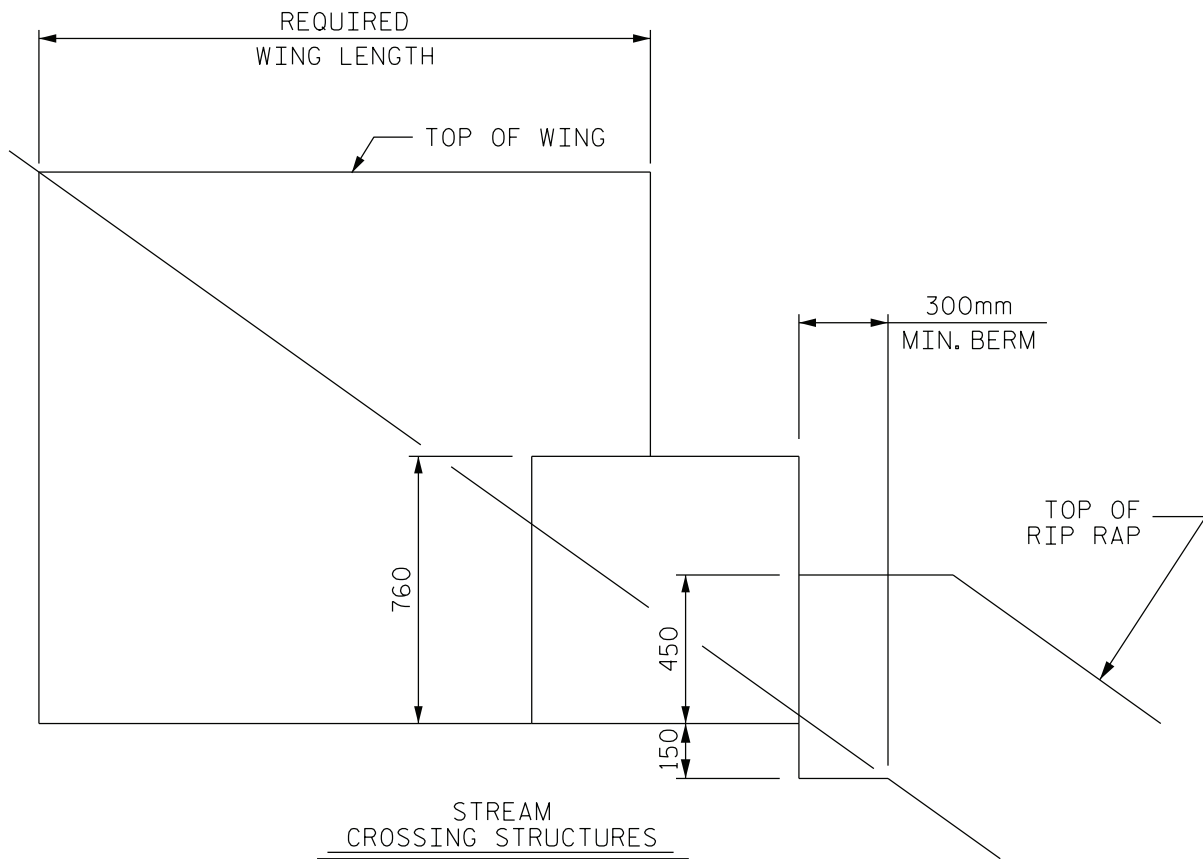


REQUIRED LENGTH OF THE WINGS  
(2'-6" DEEP END BENT CAPS)

**FIGURE 7 - 15**



REQUIRED LENGTH OF THE WINGS  
(760mm DEEP END BENT CAPS)

**FIGURE 7 - 15 M**