

WHEN "L" IS GREATER THAN 11'-0",
A PILE IS REQUIRED.

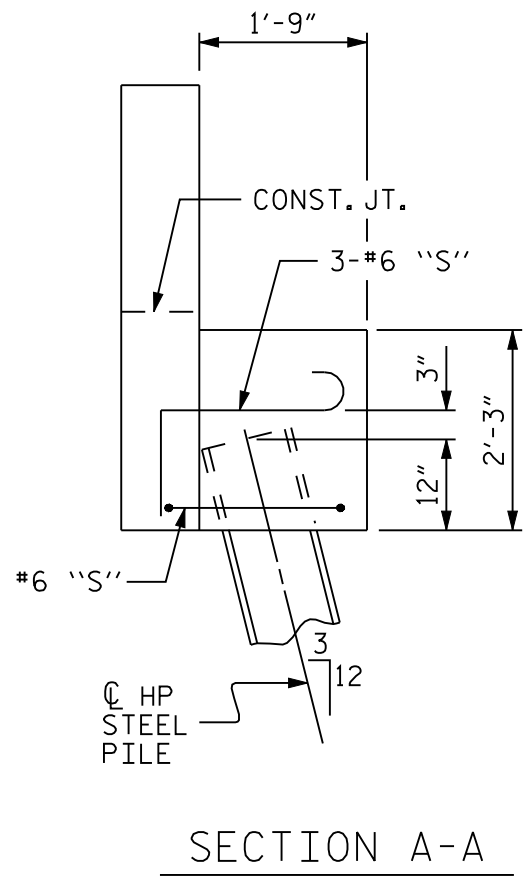
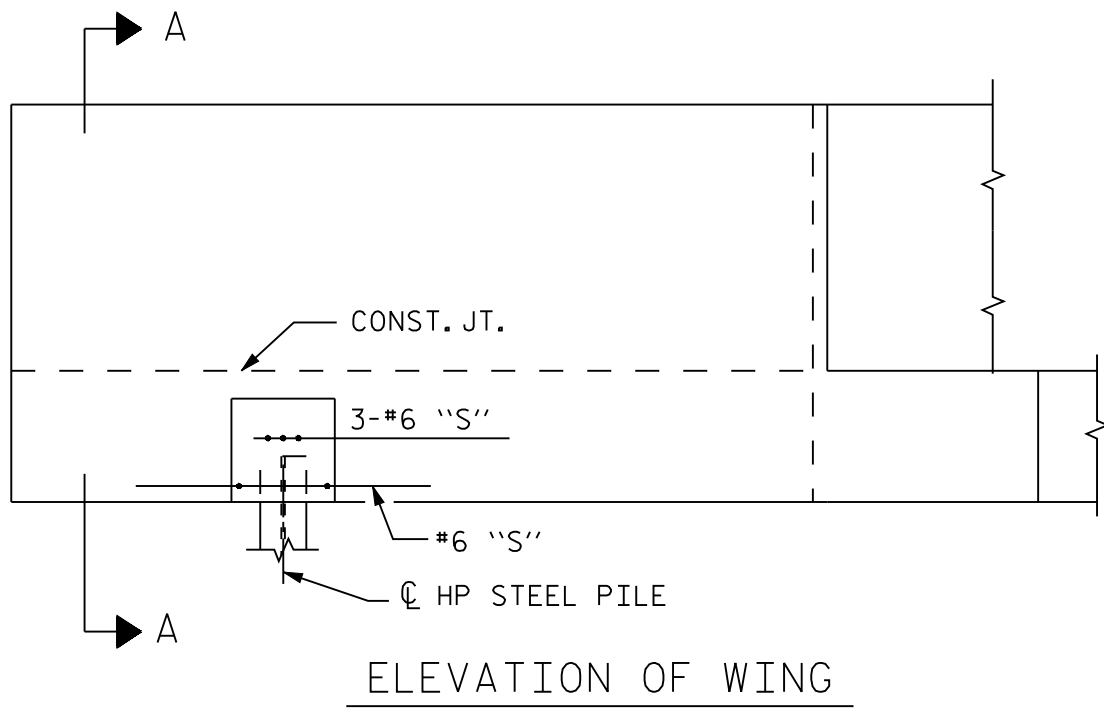
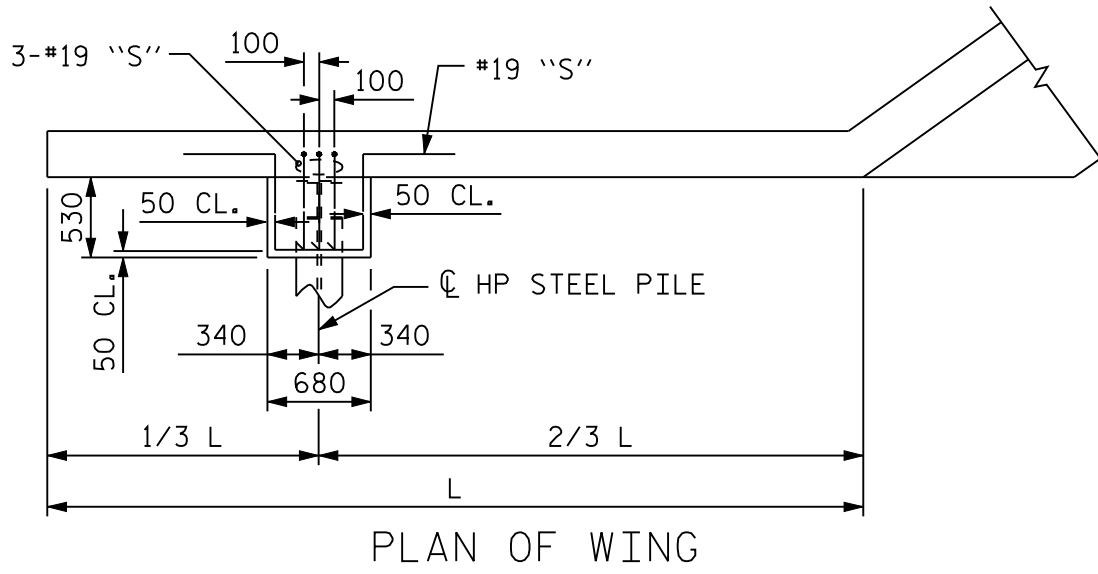


FIGURE 7 - 16

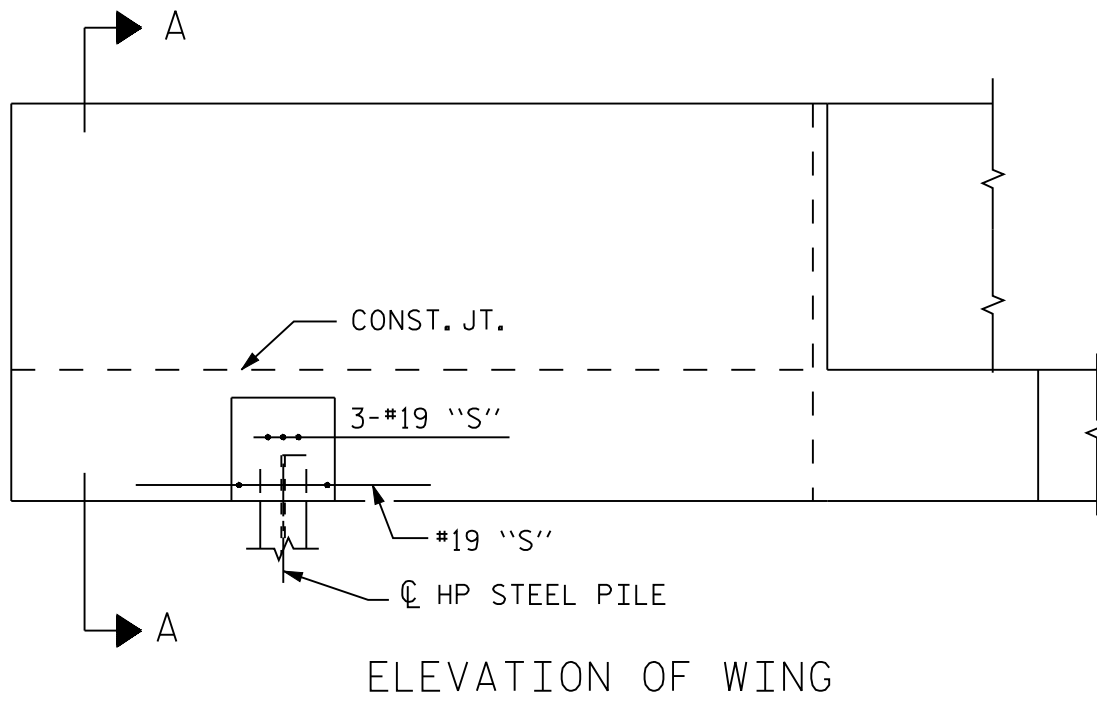
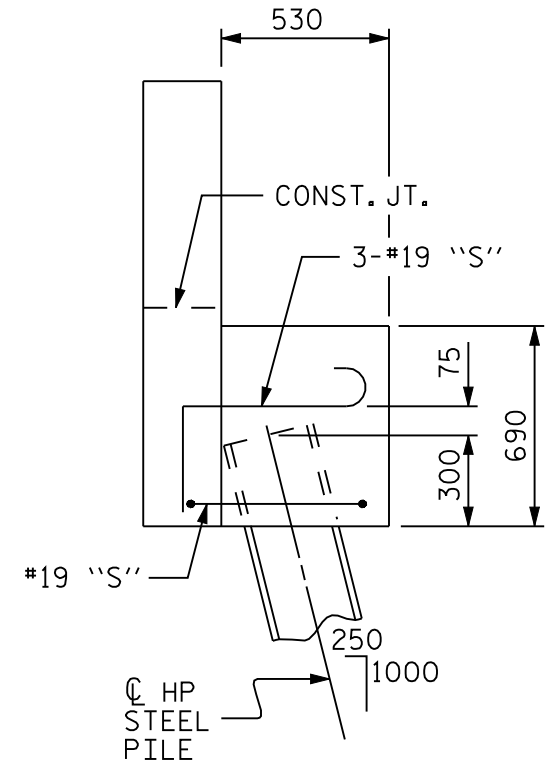


GENERAL GUIDE FOR PILES IN END BENT WINGS

FIGURE 7 - 16 M



WHEN "L" IS GREATER THAN 3.350m,
A PILE IS REQUIRED.



GENERAL GUIDE FOR PILES IN END BENT WINGS