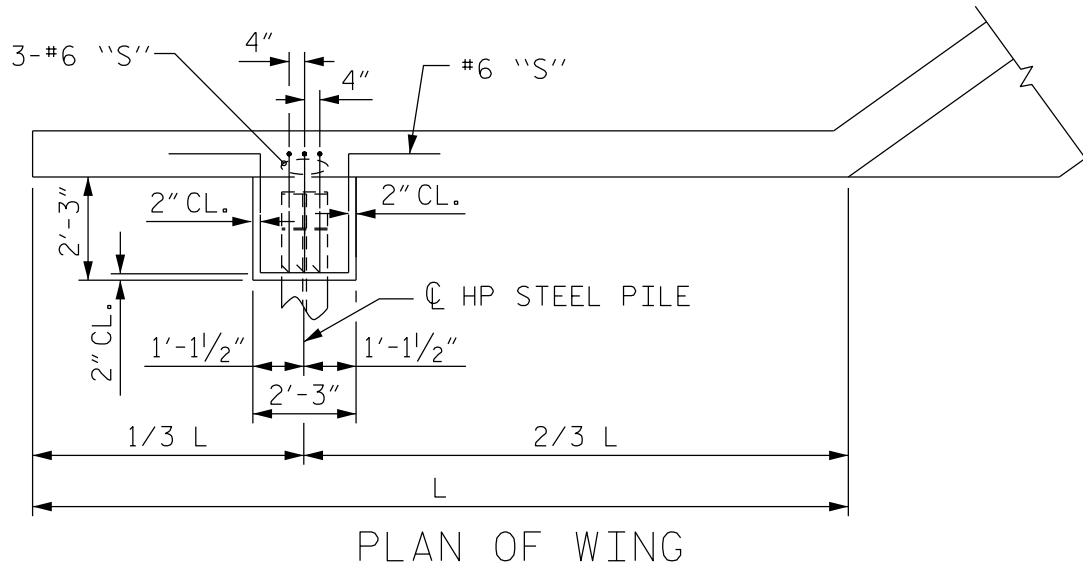
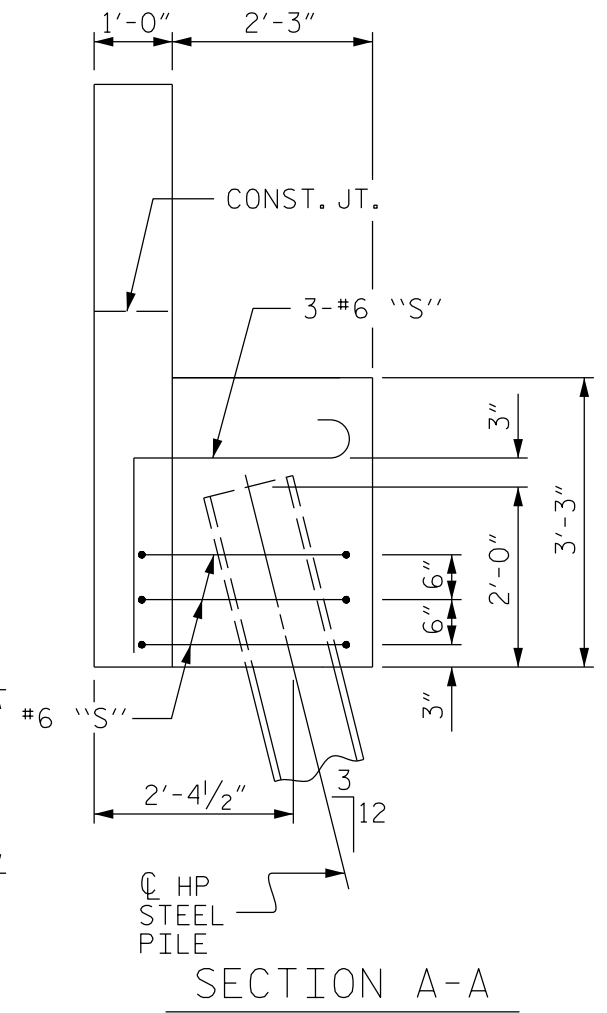
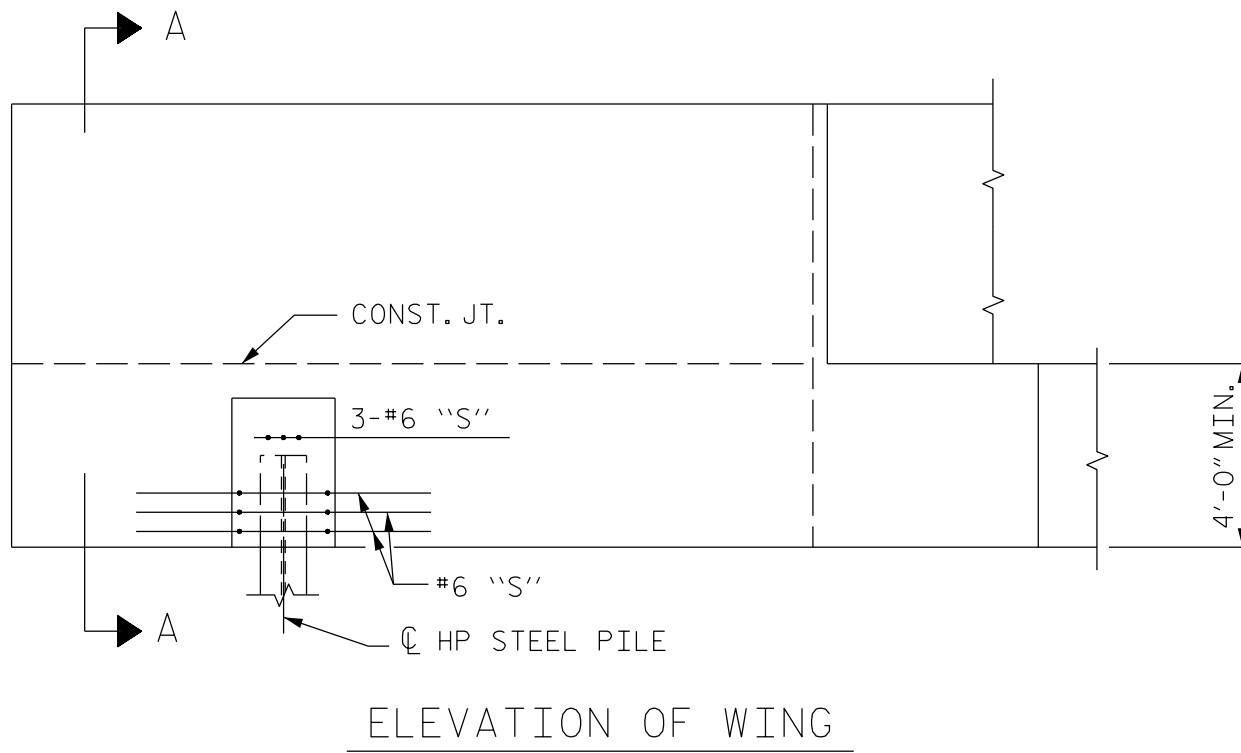


FIGURE 7 - 16a

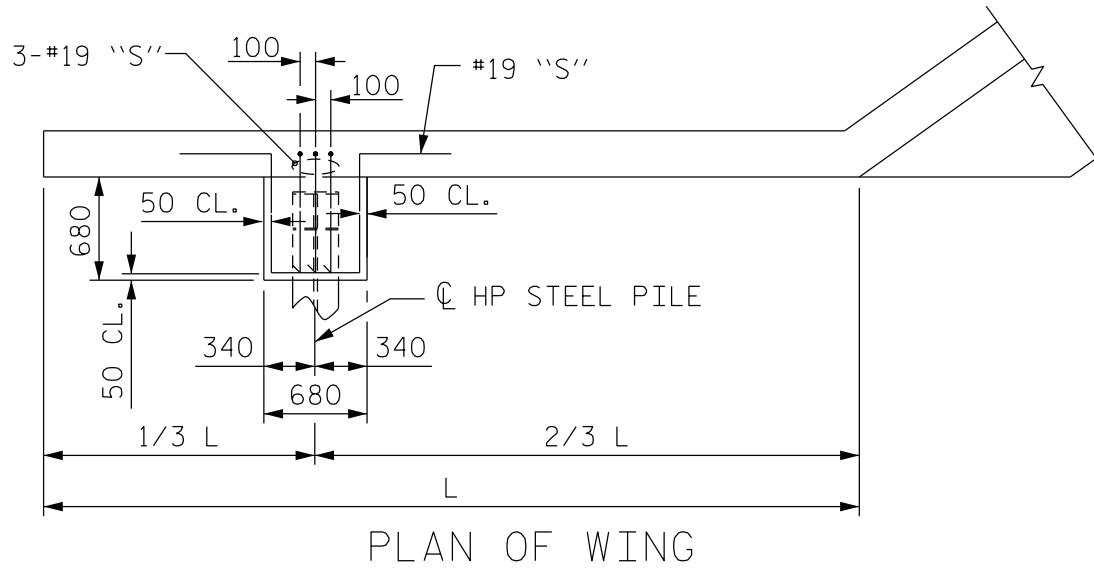


SEE FIG. 7-19 TO DETERMINE WHEN A PILE IS REQUIRED.

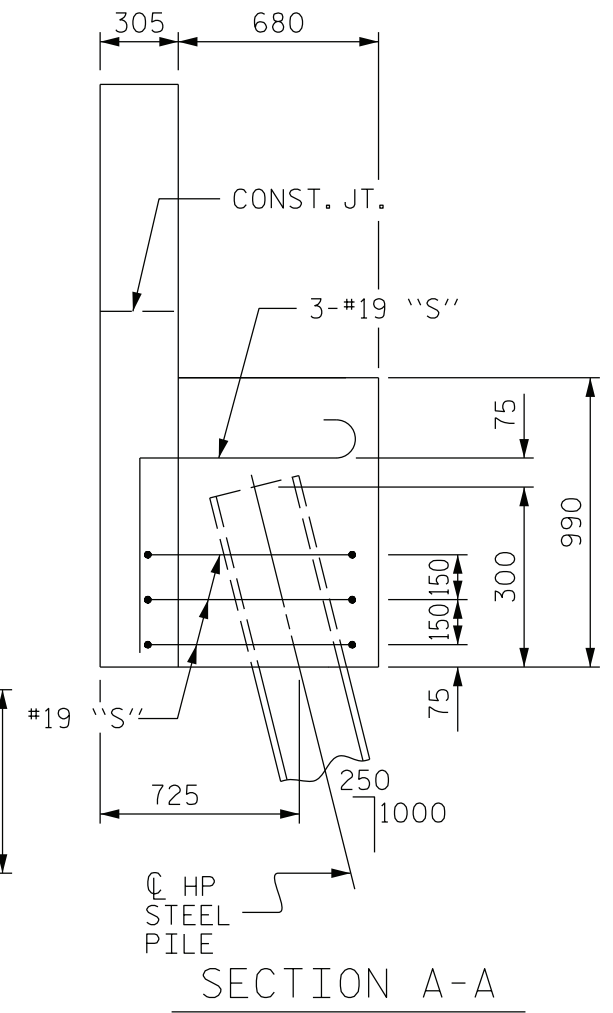
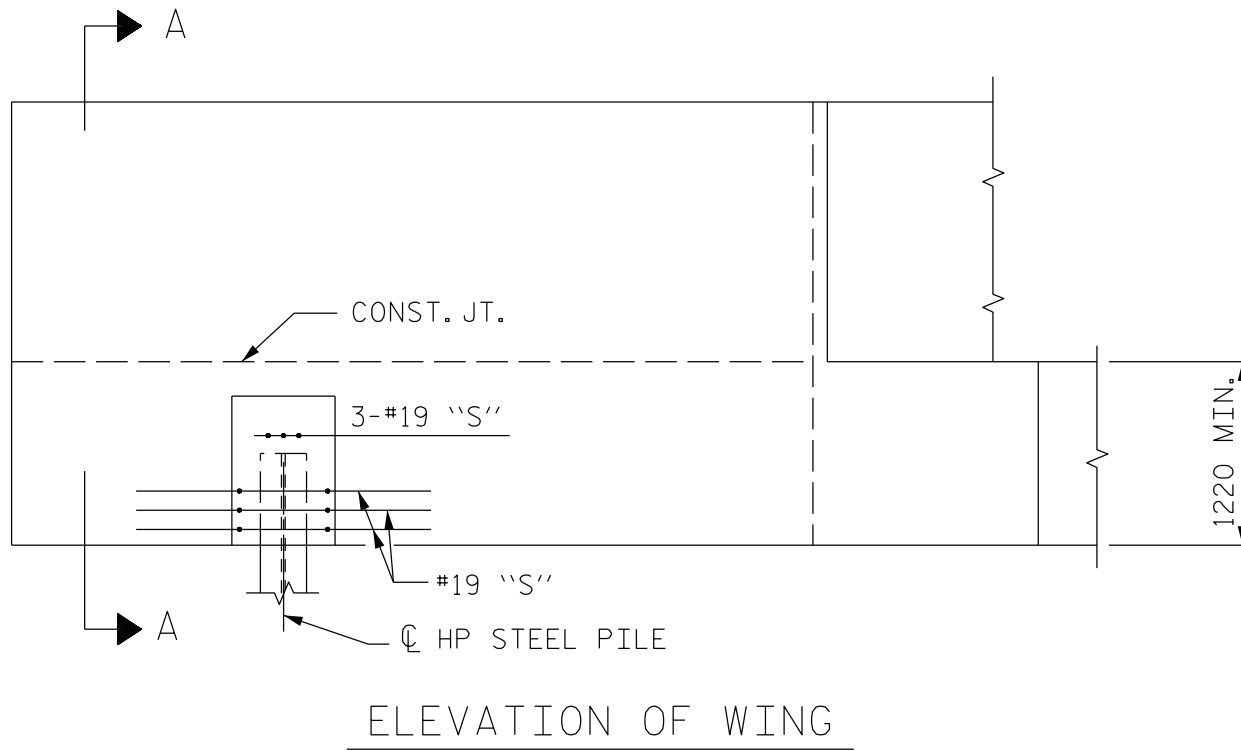


GENERAL GUIDE FOR PILES IN END BENT WINGS
(4'-0" DEEP END BENT CAPS)

FIGURE 7 - 16a M



SEE FIG. 7-19 M TO DETERMINE WHEN A PILE IS REQUIRED.



GENERAL GUIDE FOR PILES IN END BENT WINGS
(1.220m DEEP END BENT CAPS)