

NOTE TO DETAILER:

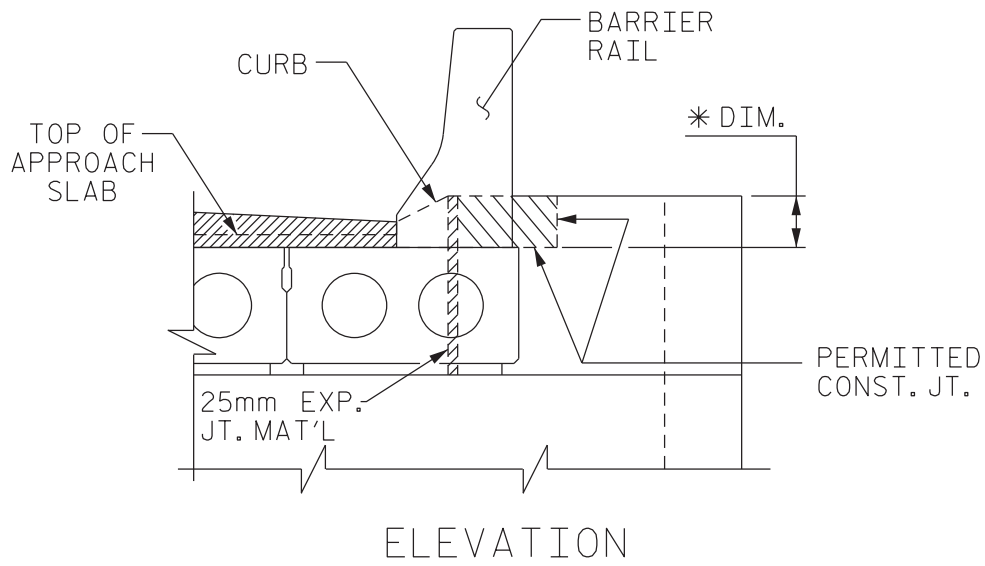
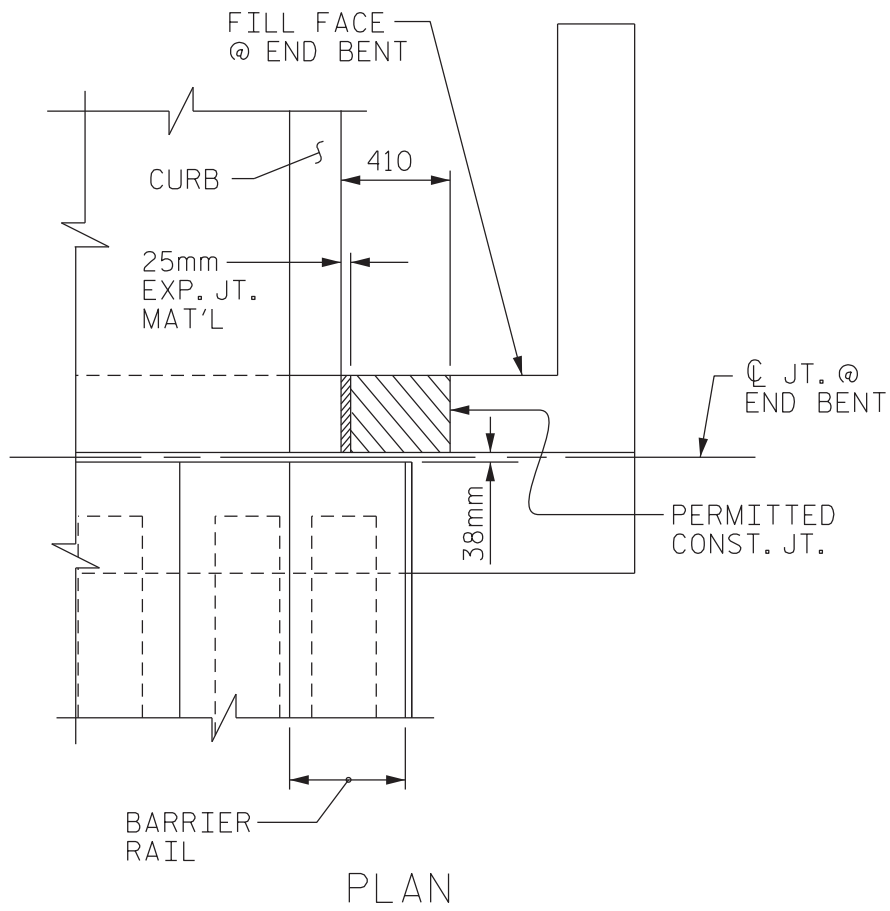
THE CONCRETE IN THE SHADED AREA OF THE WING SHALL BE POURED AFTER THE BARRIER RAIL IS CAST IF SLIP FORMING IS USED.

\* DIMENSION = 4" (CURB HEIGHT) + WEARING SURFACE AT BEARING.

BLOCKOUT IN WING WALL FOR CORED SLAB

( WHEN APPROACH SLAB HAS CURB )

**FIGURE 7 - 18**



NOTE TO DETAILER:

THE CONCRETE IN THE SHADED AREA OF THE WING SHALL BE POURED AFTER THE BARRIER RAIL IS CAST IF SLIP FORMING IS USED.

\* DIMENSION = 100mm (CURB HEIGHT) + WEARING SURFACE AT BEARING.

BLOCKOUT IN WING WALL FOR CORED SLAB

( WHEN APPROACH SLAB HAS CURB )

**FIGURE 7 - 18 M**