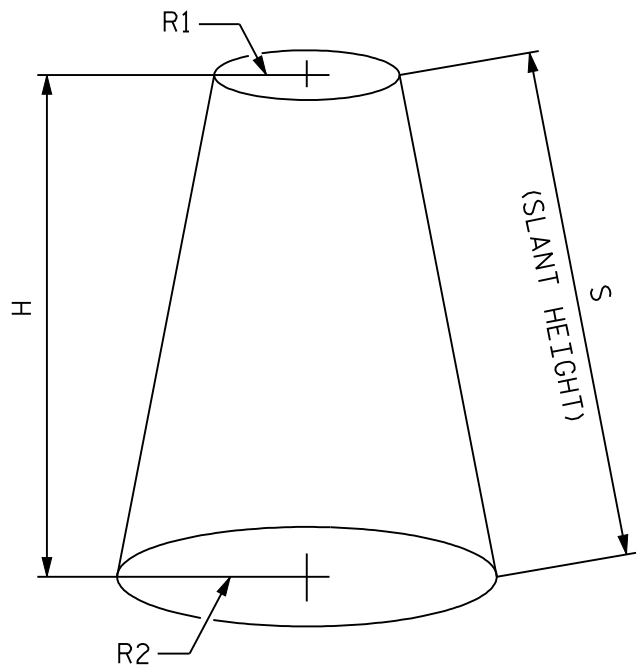
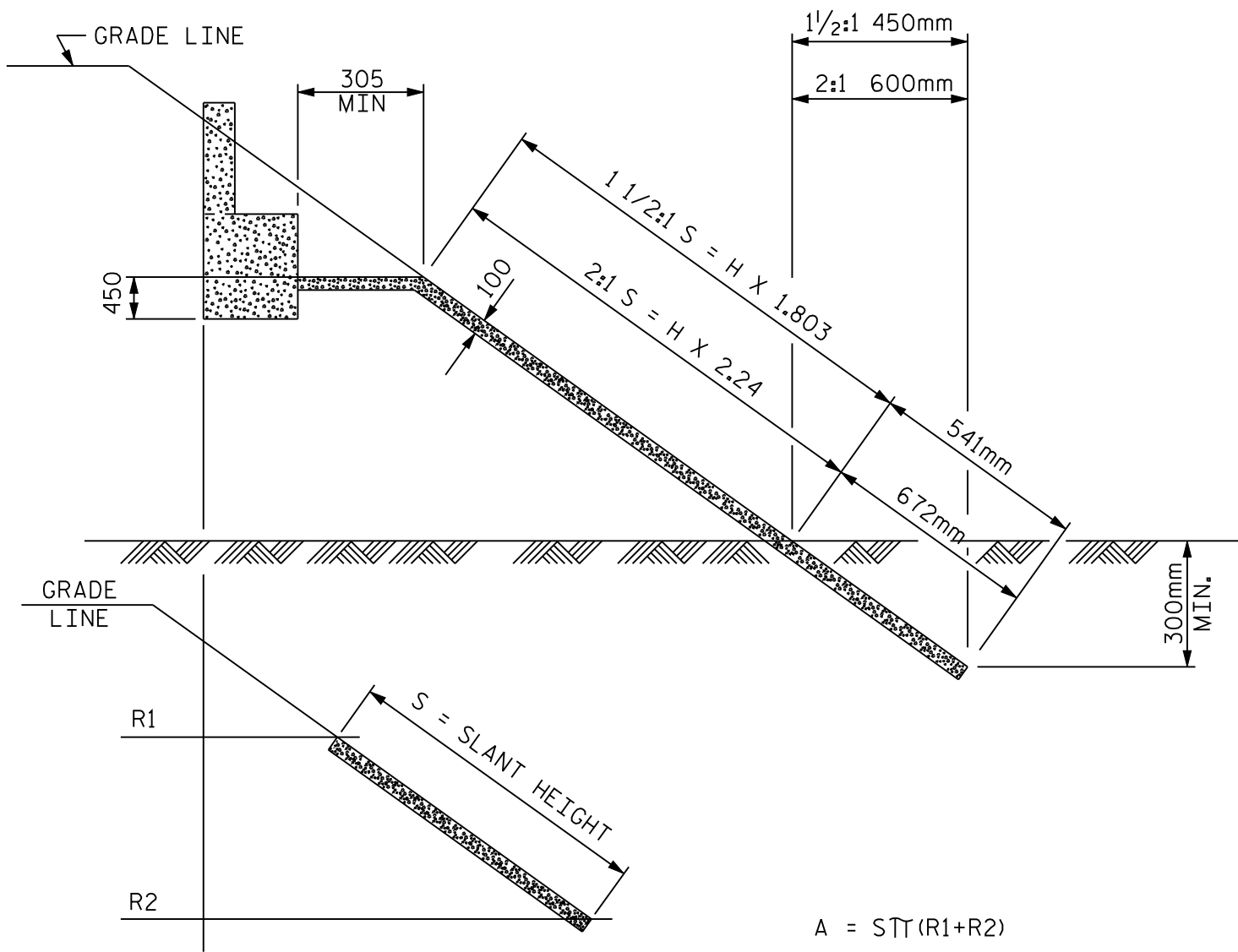


$$A = S\pi(R1+R2)$$

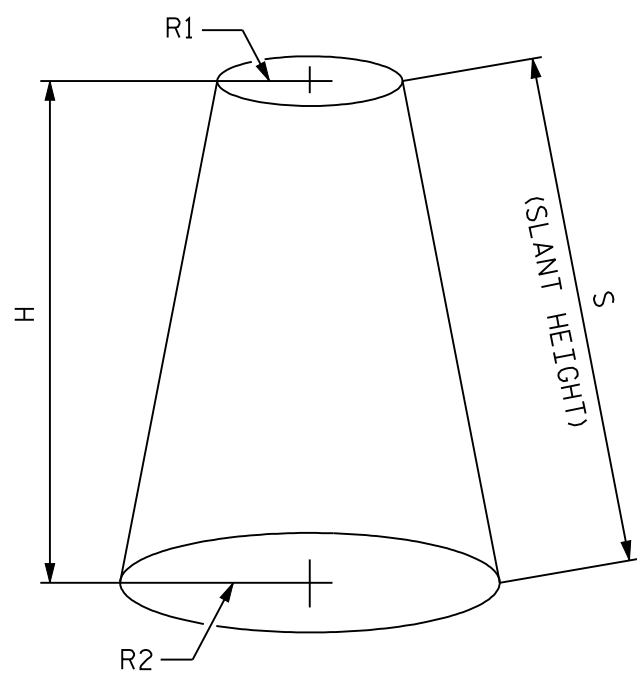


CONCRETE SLOPE PROTECTION

FIGURE 12 - 23



$$A = S\pi(R1+R2)$$



CONCRETE SLOPE PROTECTION

FIGURE 12 - 23 M