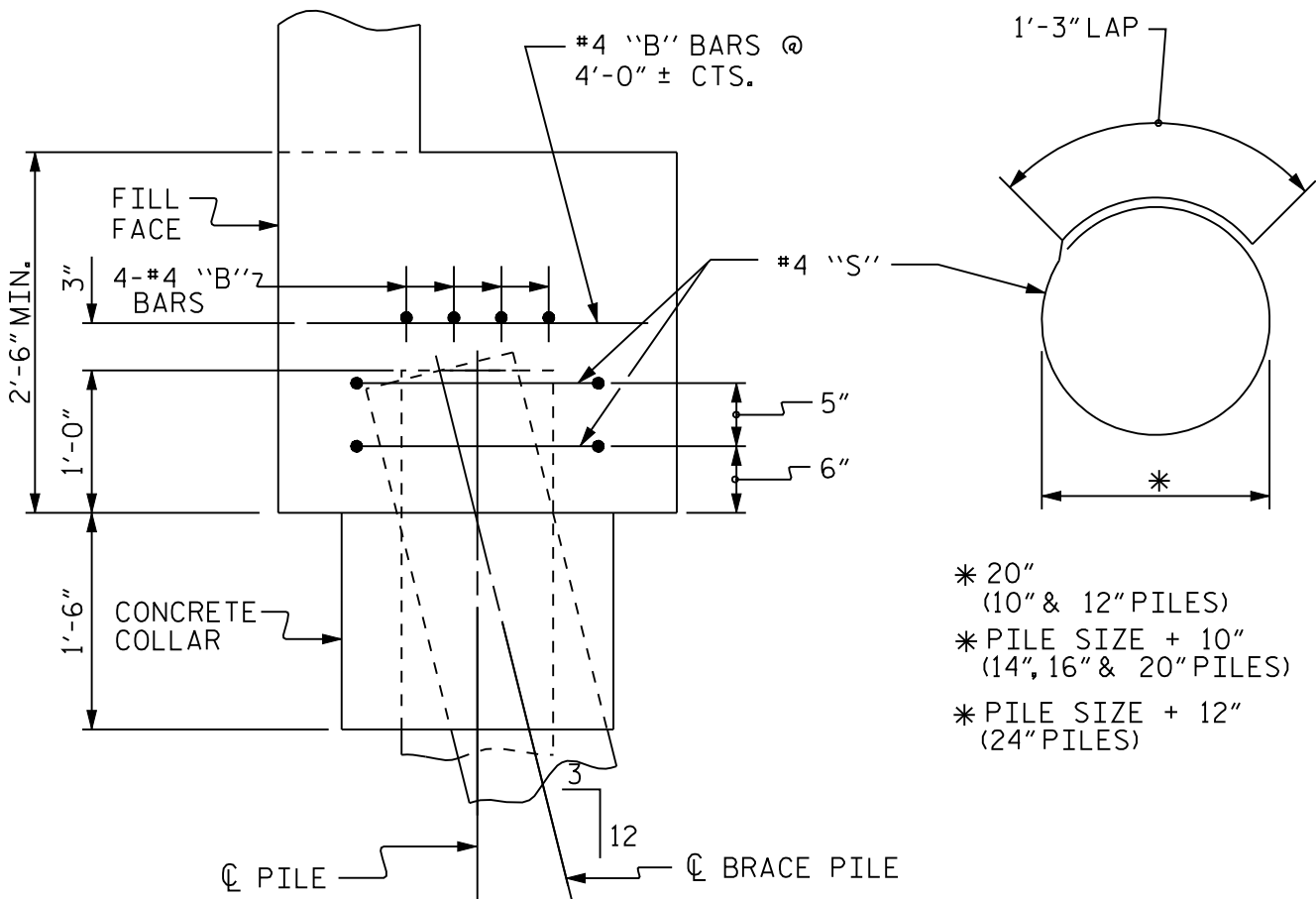


NOTE TO DETAILER:

DIMENSIONS ARE BASED ON PILE SIZE REGARDLESS OF TYPE OF PILE.

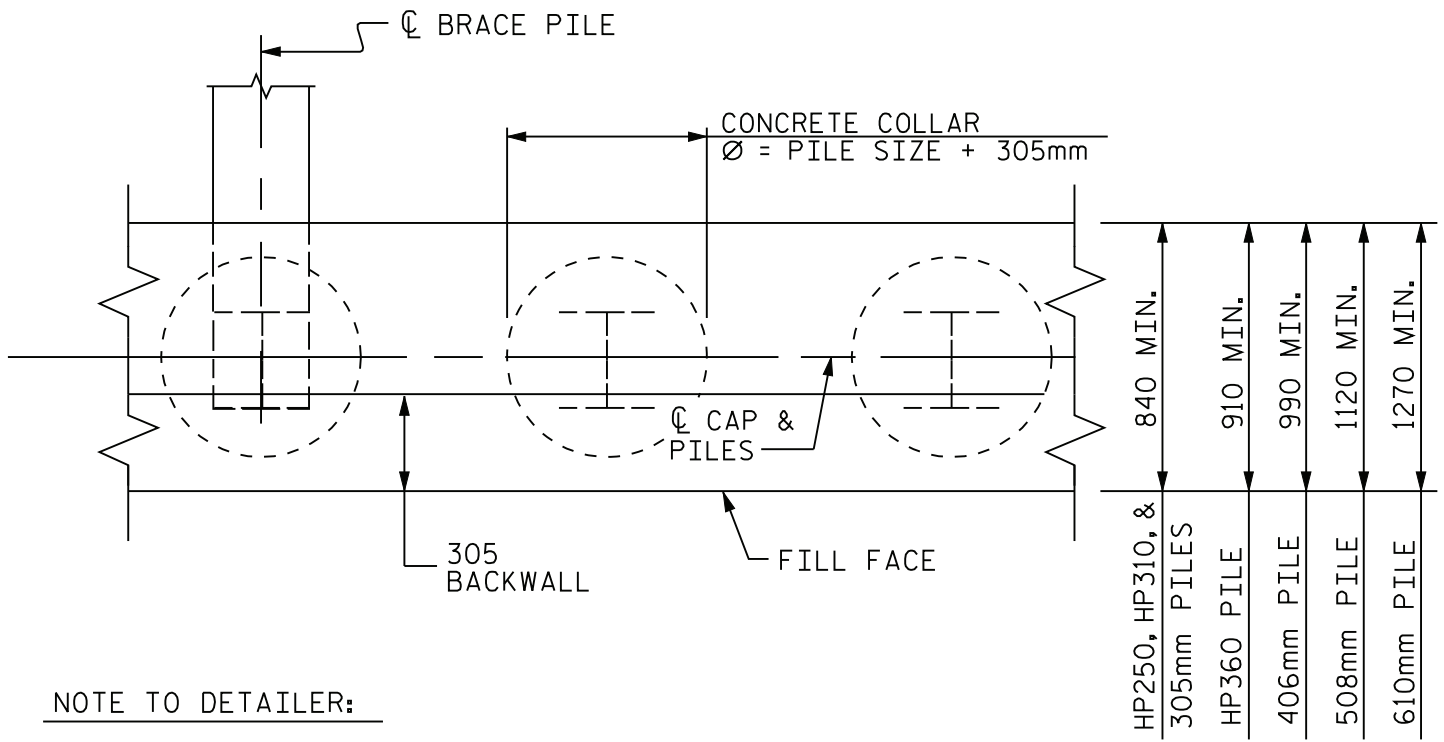
BATTER PILES PER BRACE PILE DESIGN.



STANDARD BRACE PILE DETAILS

FOR END BENTS

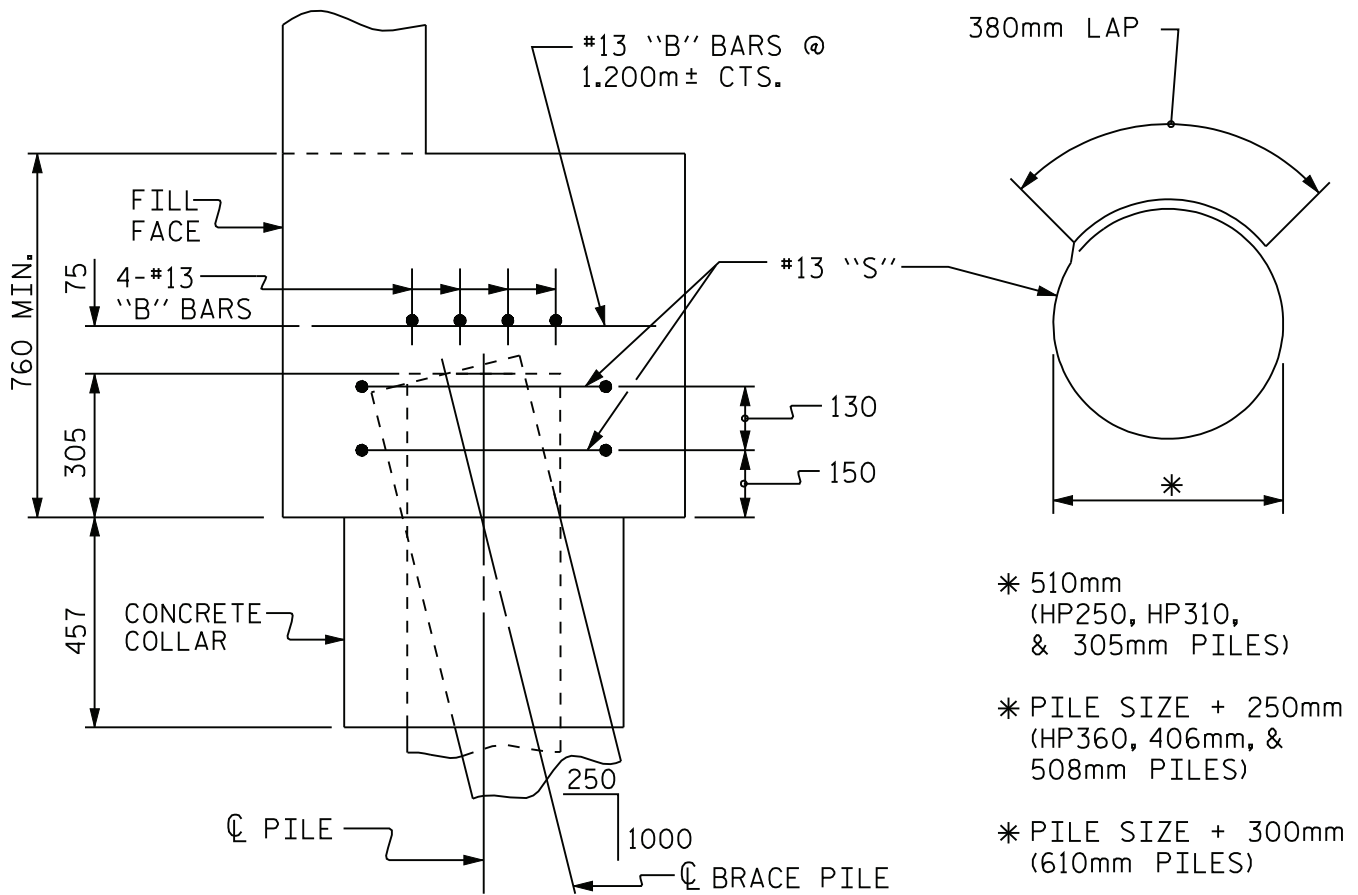
FIGURE 7 - 23



NOTE TO DETAILER:

DIMENSIONS ARE BASED ON PILE SIZE REGARDLESS OF TYPE OF PILE.

BATTER PILES PER BRACE PILE DESIGN.



STANDARD BRACE PILE DETAILS

FOR END BENTS

FIGURE 7 - 23 M