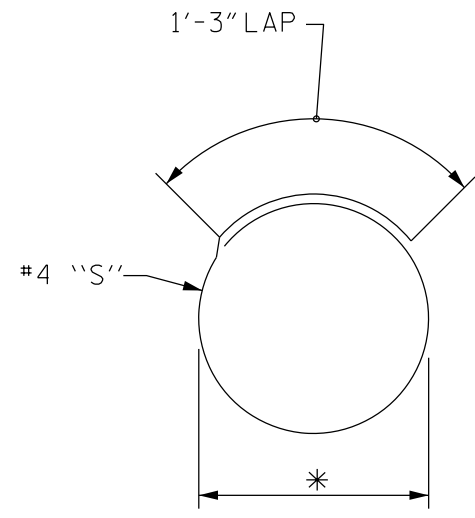


NOTE TO DETAILER:
 DIMENSIONS ARE BASED ON PILE SIZE REGARDLESS OF TYPE OF PILE.
 BATTER PILES PER BRACE PILE DESIGN.

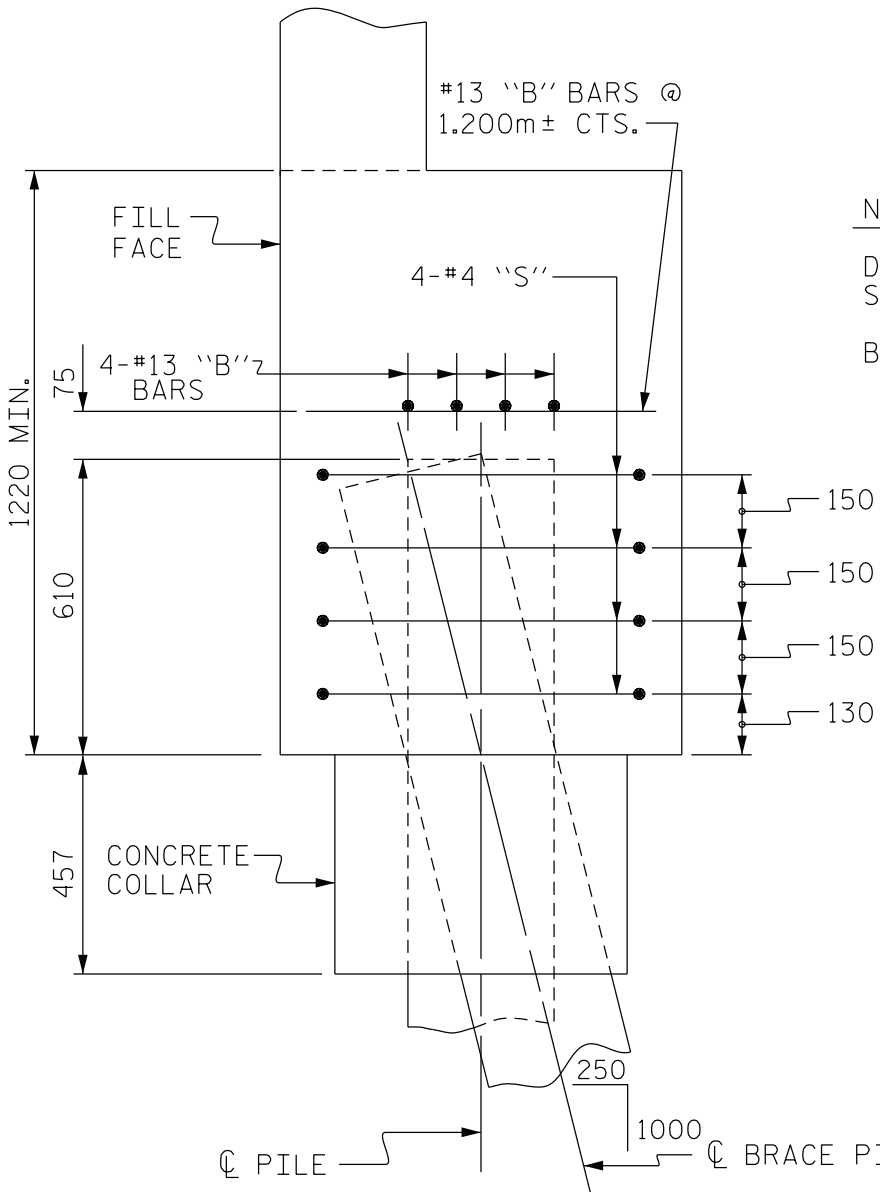
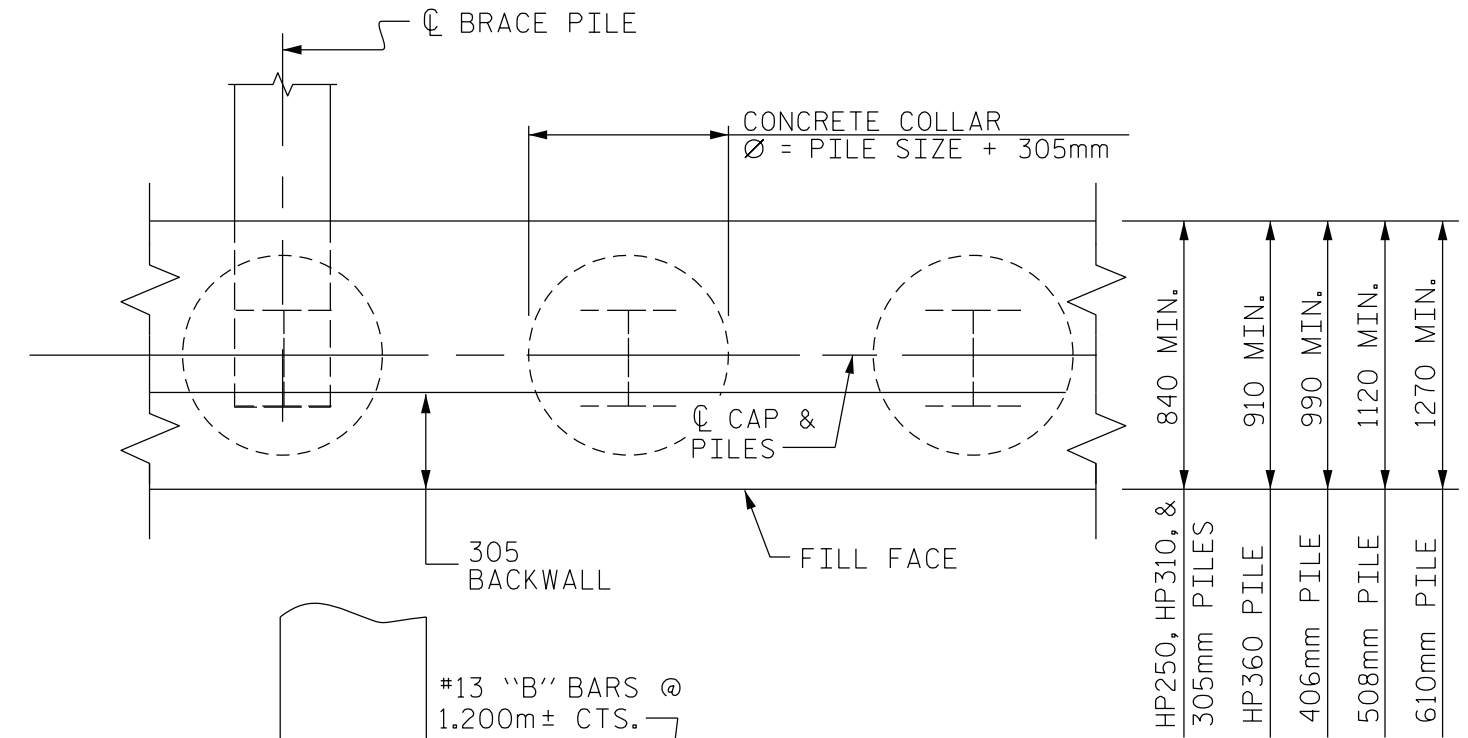


- * 20" (10" & 12" PILES)
- * PILE SIZE + 10" (14", 16" & 20" PILES)
- * PILE SIZE + 12" (24" PILES)

STANDARD BRACE PILE DETAILS
 (4'-0" DEEP END BENT CAP)

FOR END BENTS

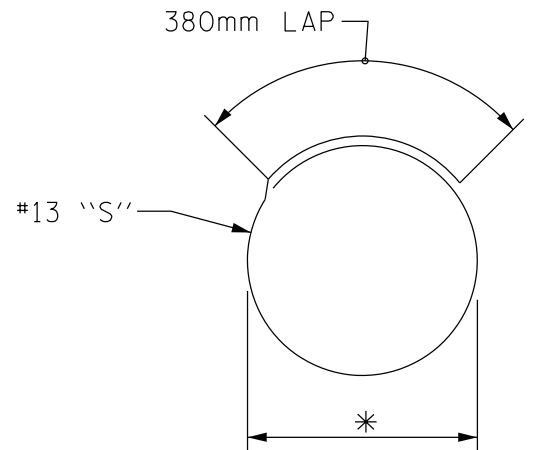
FIGURE 7 - 23a



NOTE TO DETAILER:

DIMENSIONS ARE BASED ON PILE SIZE REGARDLESS OF TYPE OF PILE.

BATTER PILES PER BRACE PILE DESIGN.



* 510mm (HP250, HP310, & 305mm PILES)

* PILE SIZE + 250mm (HP360, 406mm, & 508mm PILES)

* PILE SIZE + 300mm (610mm PILES)

STANDARD BRACE PILE DETAILS
(1.220m DEEP END BENT CAP)

FOR END BENTS

FIGURE 7 - 23a M