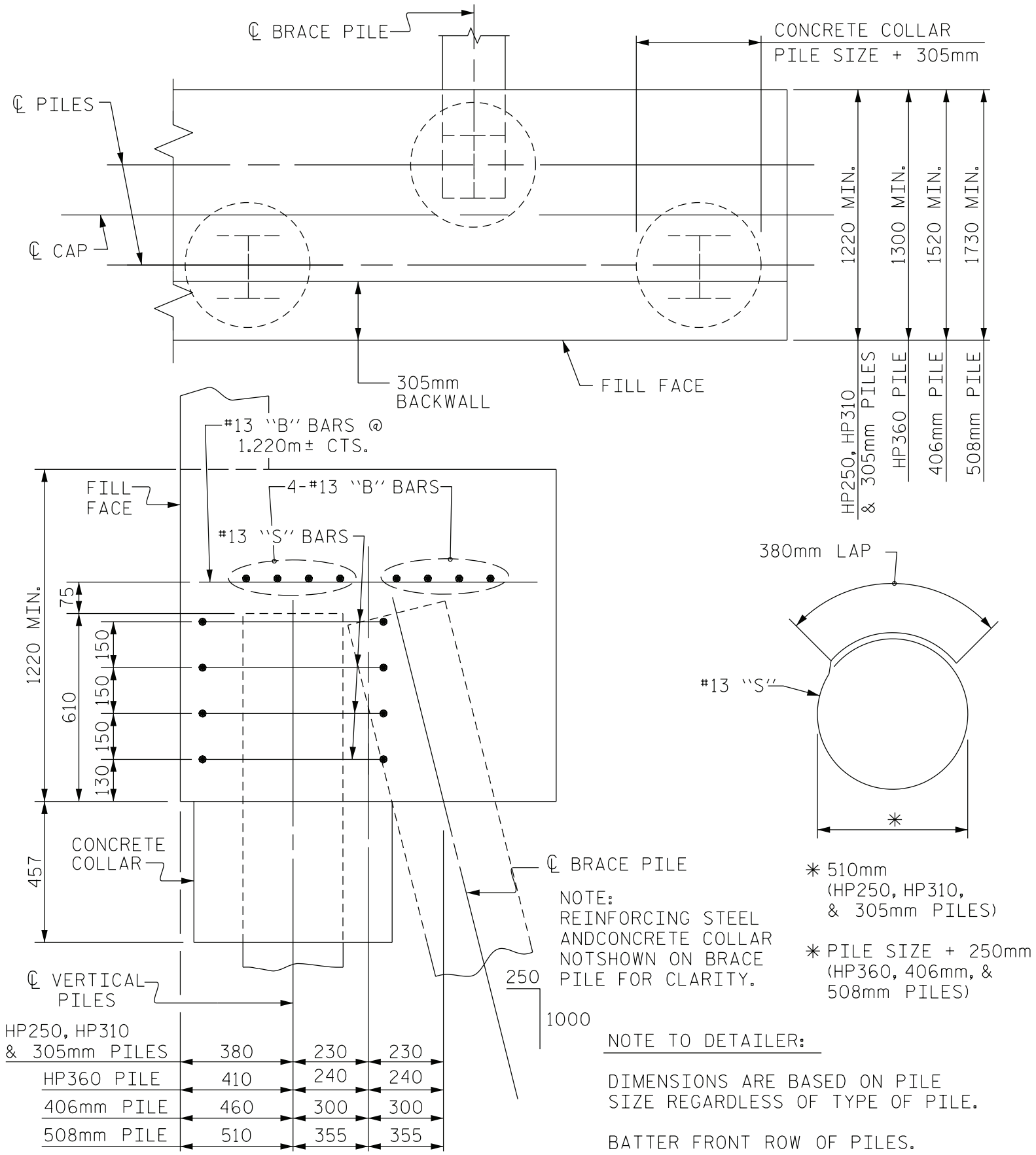


STANDARD BRACE PILE DETAILS
(4'-0" END BENT CAPS)

(FOR END BENTS WHEN DOUBLE ROW OF PILES ARE USED)

FIGURE 7 - 24a



STANDARD BRACE PILE DETAILS
(1.220m END BENT CAPS)

(FOR END BENTS WHEN DOUBLE ROW OF PILES ARE USED)

FIGURE 7 - 24a M