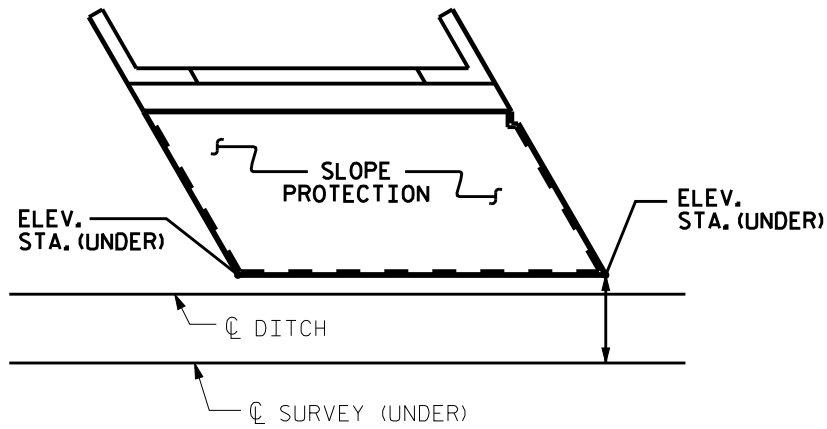
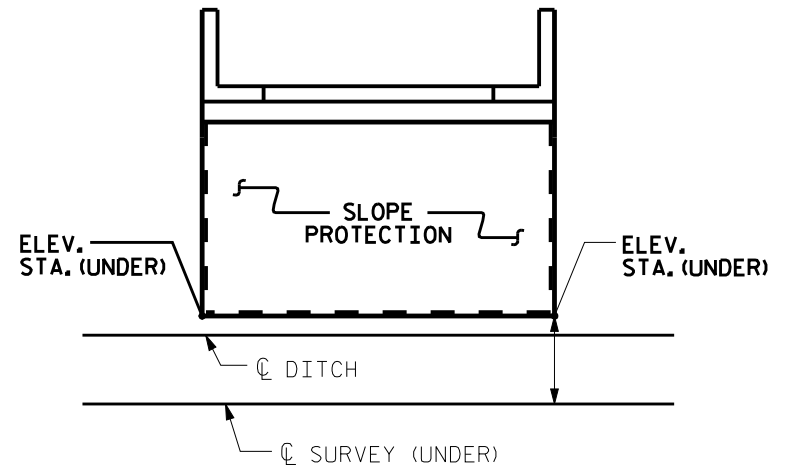


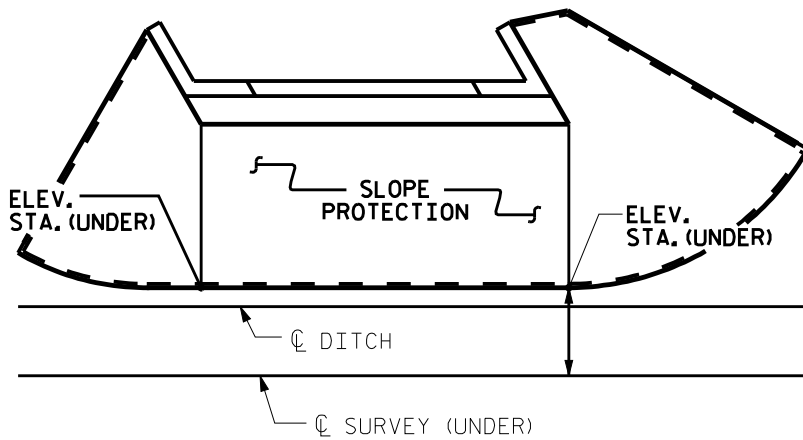
FIGURE 12-25



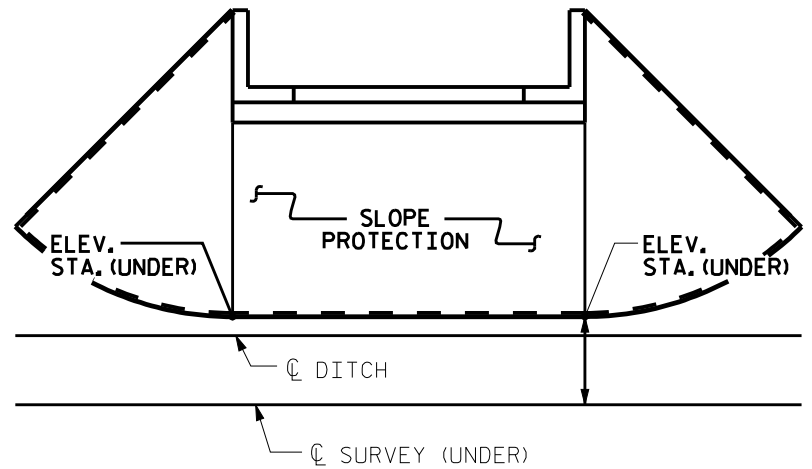
SKEWED
(2:1 SLOPE)



90°
(2:1 SLOPE)



SKEWED
(1 1/2: 1 SLOPE)



90°
(1 1/2: 1 SLOPE)

SLOPE PROTECTION DETAILS SHEET