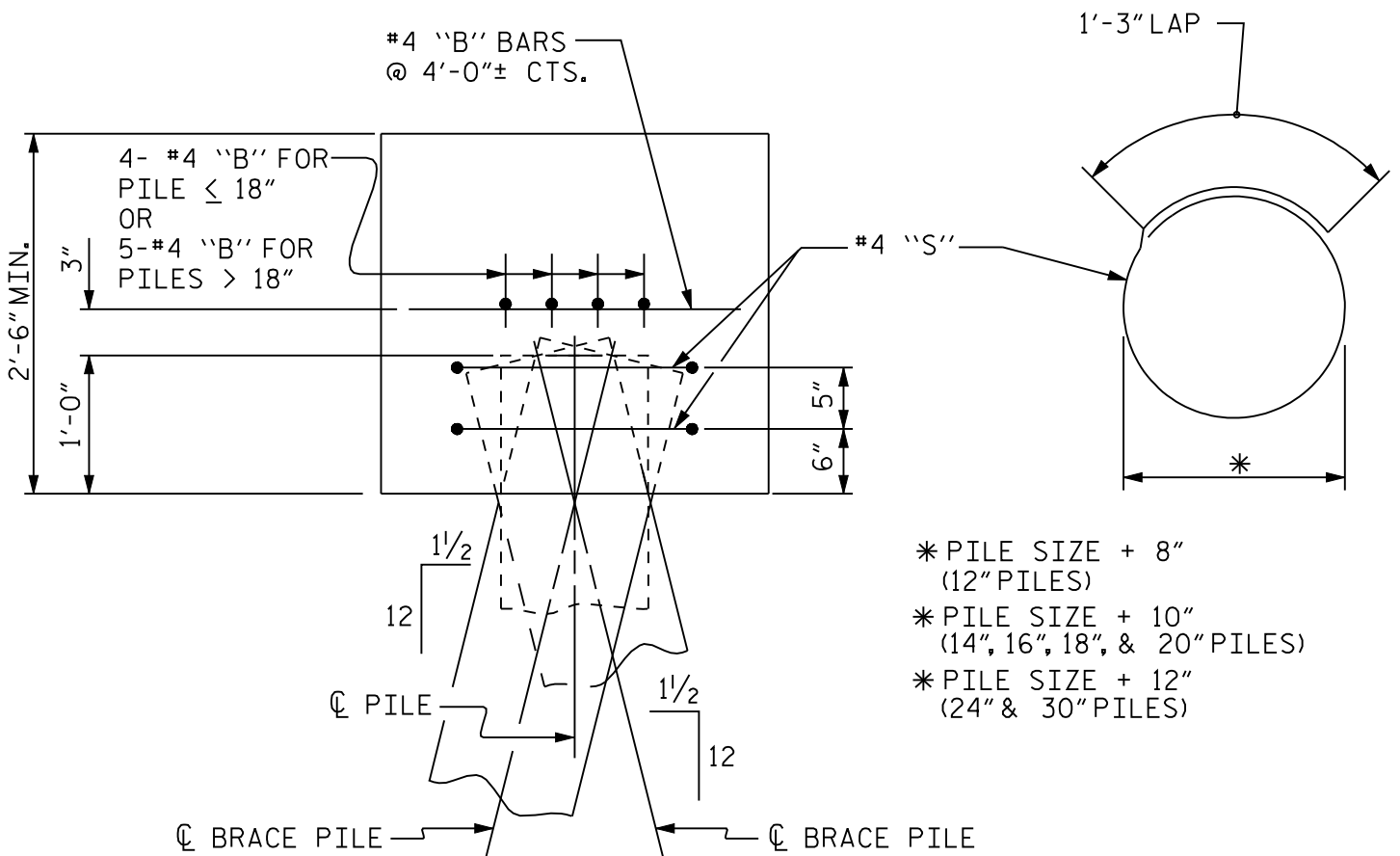
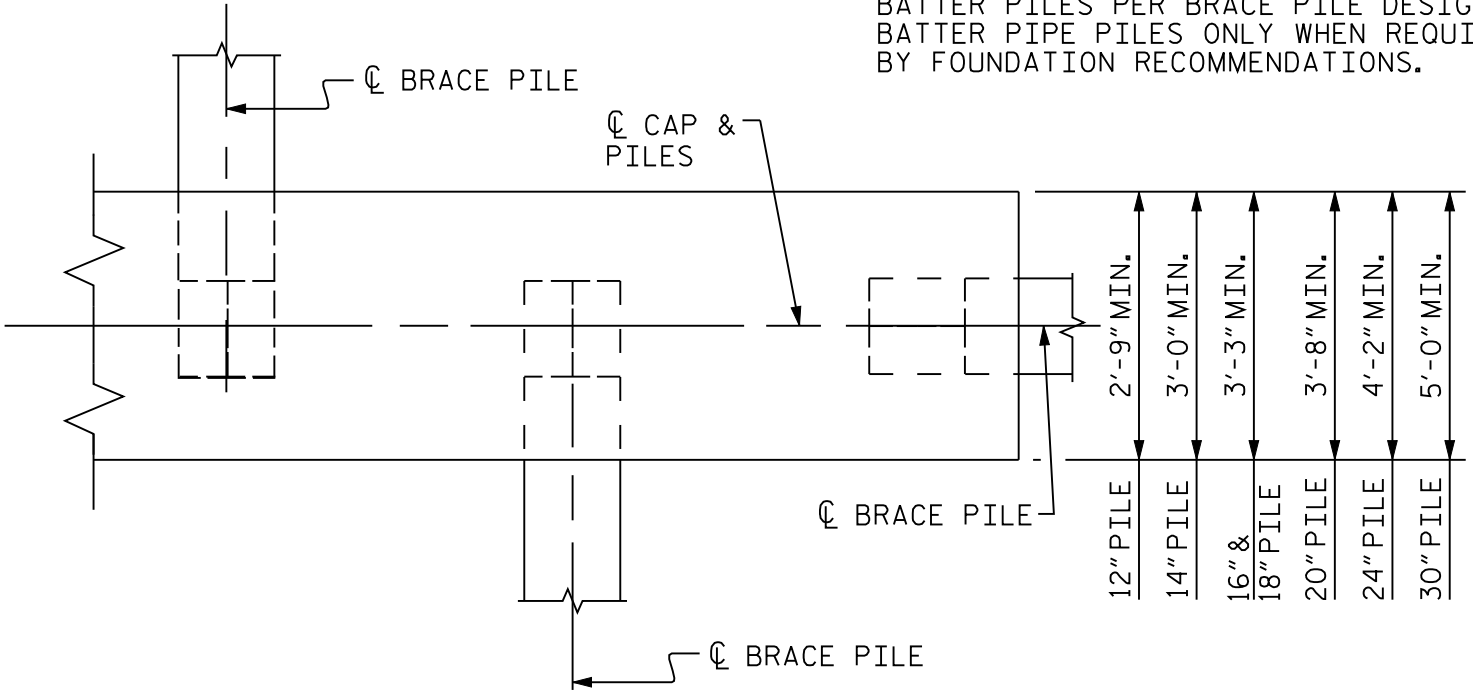


NOTES TO DETAILER:

DIMENSIONS ARE BASED ON PILE SIZE REGARDLESS OF TYPE OF PILE.

BATTER PILES PER BRACE PILE DESIGN.
BATTER PIPE PILES ONLY WHEN REQUIRED BY FOUNDATION RECOMMENDATIONS.



- * PILE SIZE + 8" (12" PILES)
- * PILE SIZE + 10" (14", 16", 18", & 20" PILES)
- * PILE SIZE + 12" (24" & 30" PILES)

STANDARD BRACE PILE DETAILS

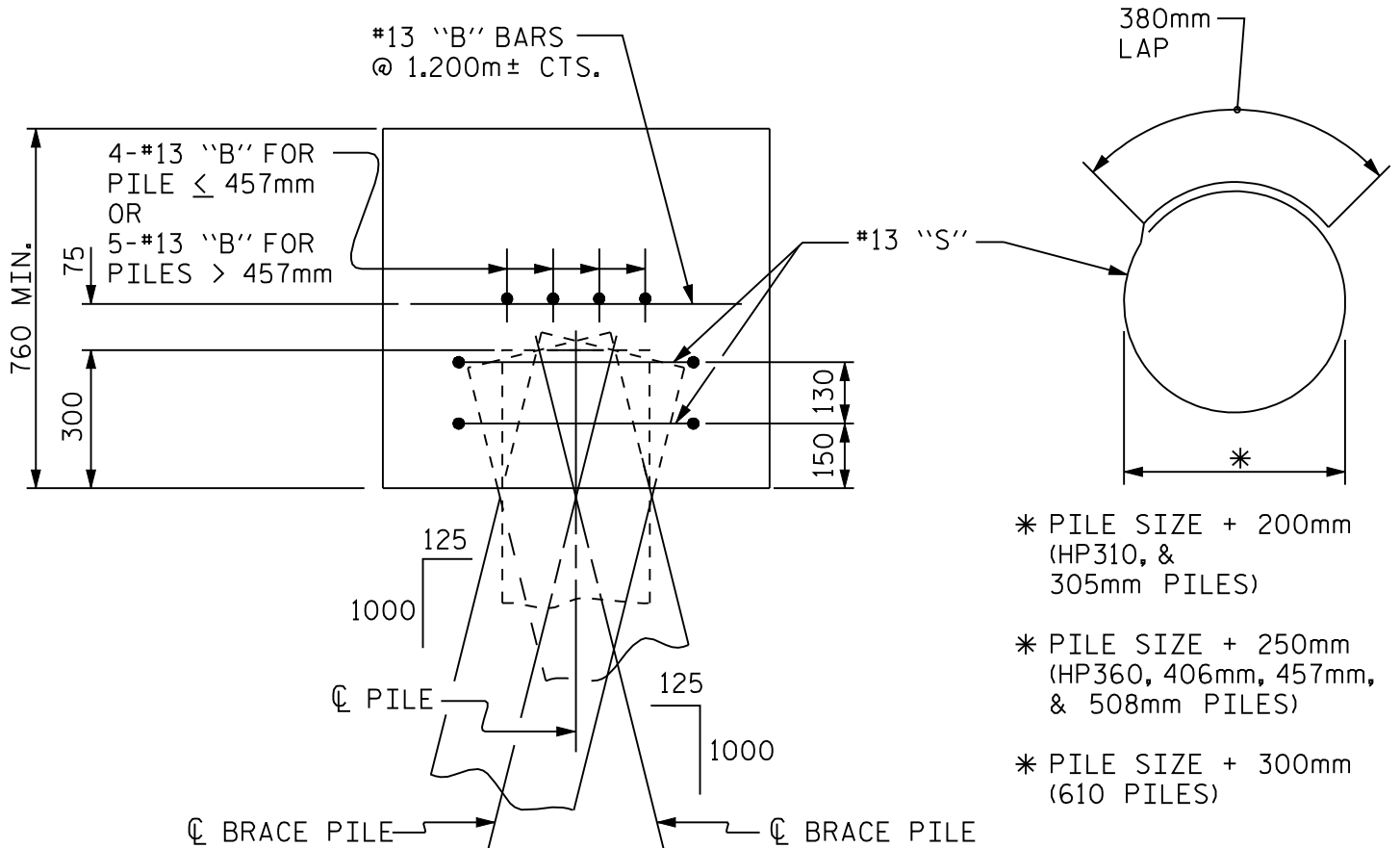
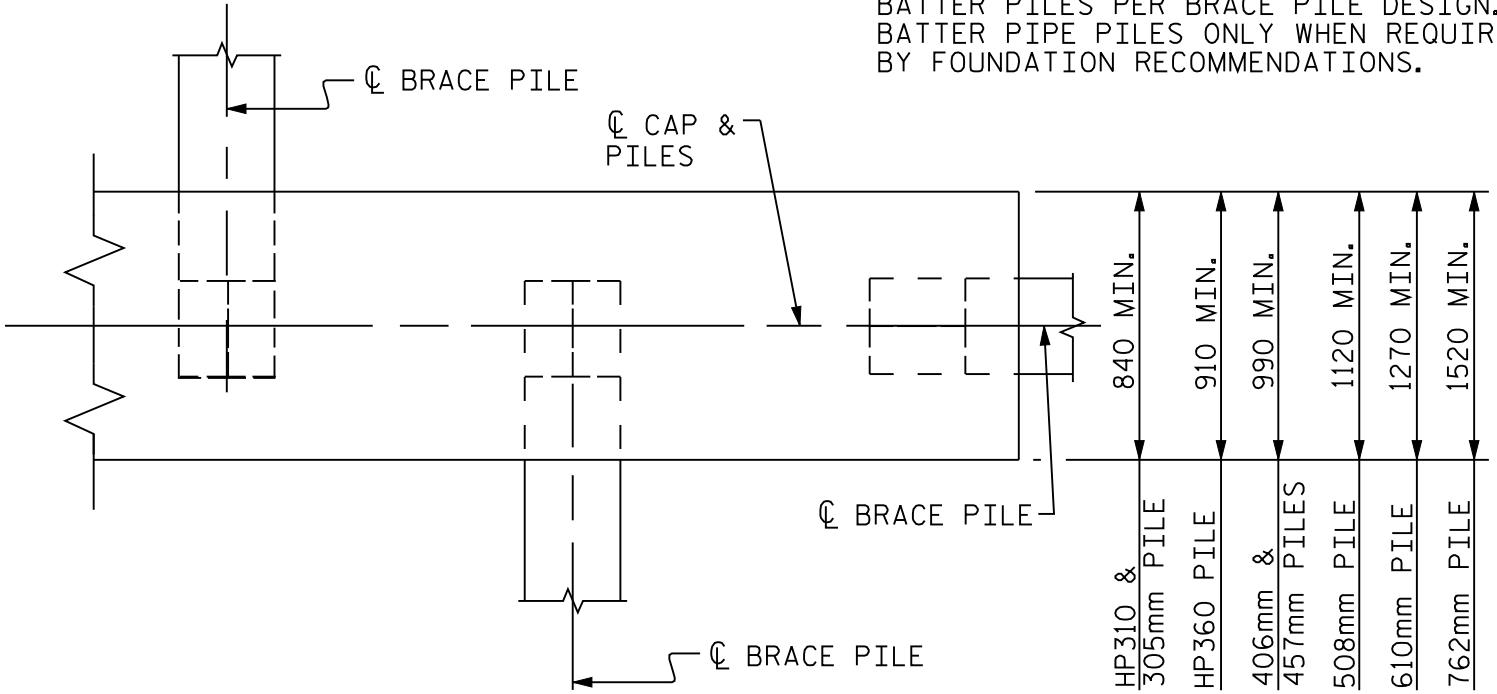
FOR INTERIOR BENTS

FIGURE 7 - 26

NOTES TO DETAILER:

DIMENSIONS ARE BASED ON PILE SIZE REGARDLESS OF TYPE OF PILE.

BATTER PILES PER BRACE PILE DESIGN.
BATTER PIPE PILES ONLY WHEN REQUIRED BY FOUNDATION RECOMMENDATIONS.



STANDARD BRACE PILE DETAILS

FOR INTERIOR BENTS

FIGURE 7 - 26 M