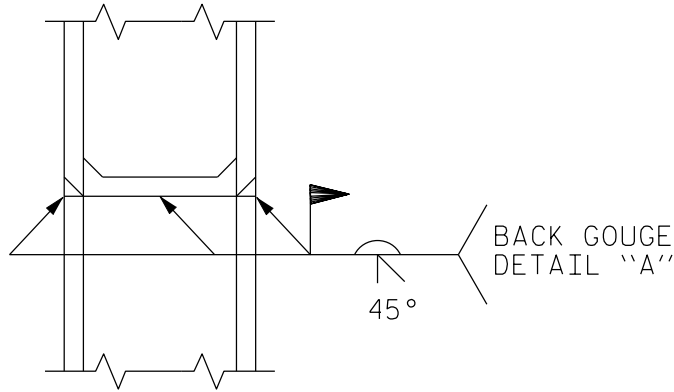
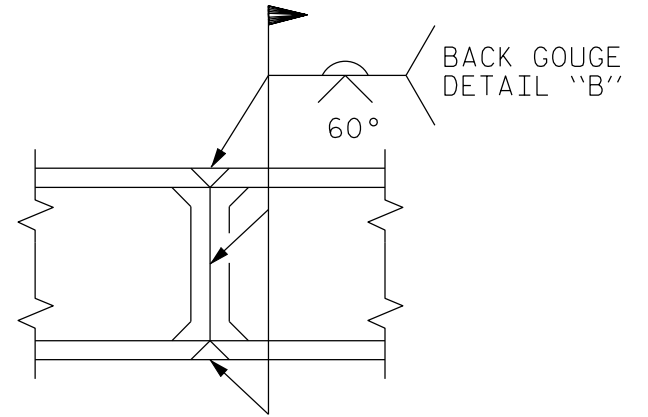


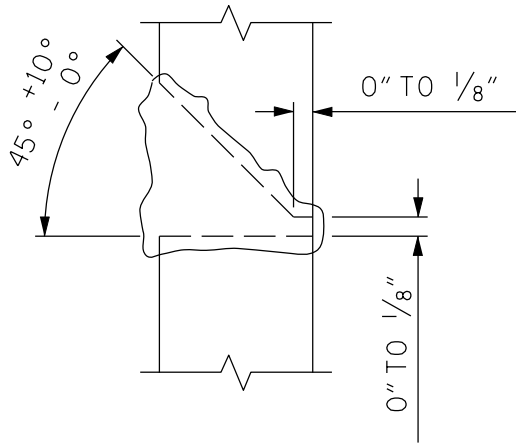
FIGURE 7 - 31



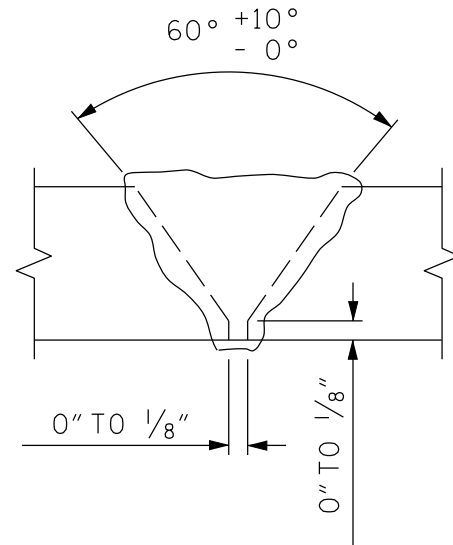
* PILE VERTICAL



* PILE HORIZONTAL OR VERTICAL



DETAIL "A"

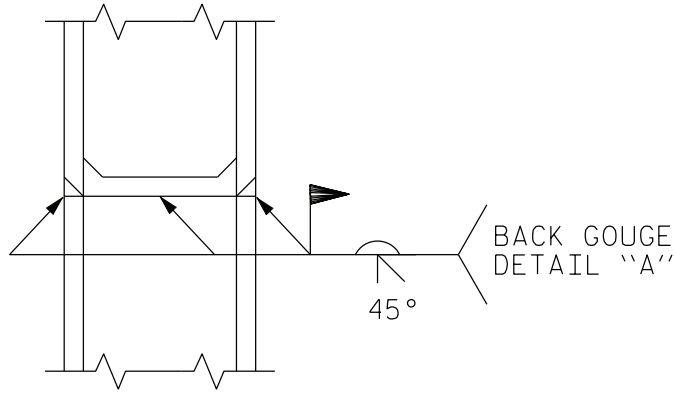


DETAIL "B"

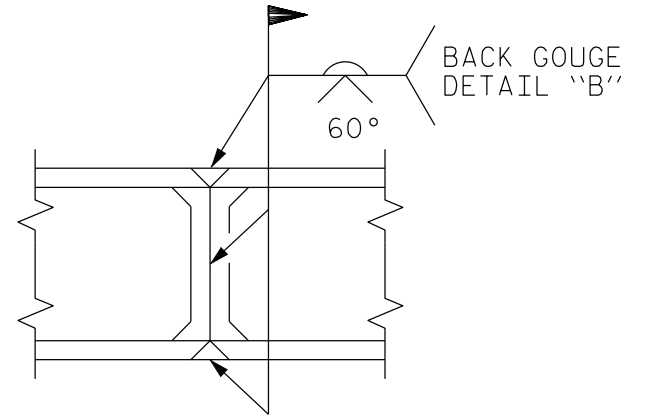
* POSITION OF PILE DURING WELDING

PILE SPLICE DETAILS

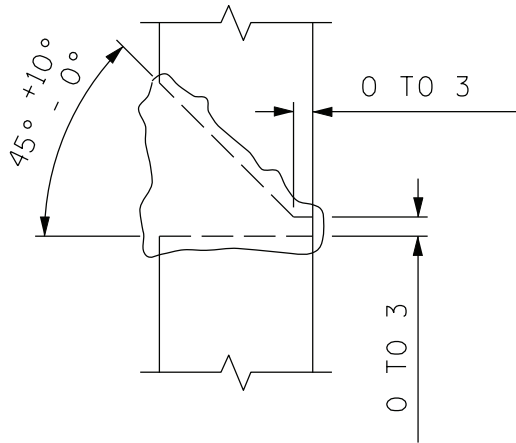
FIGURE 7 - 31 M



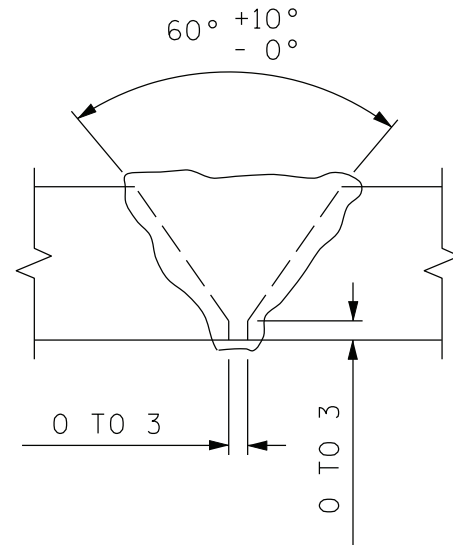
* PILE VERTICAL



* PILE HORIZONTAL OR VERTICAL



DETAIL "A"



DETAIL "B"

* POSITION OF PILE DURING WELDING

PILE SPLICE DETAILS