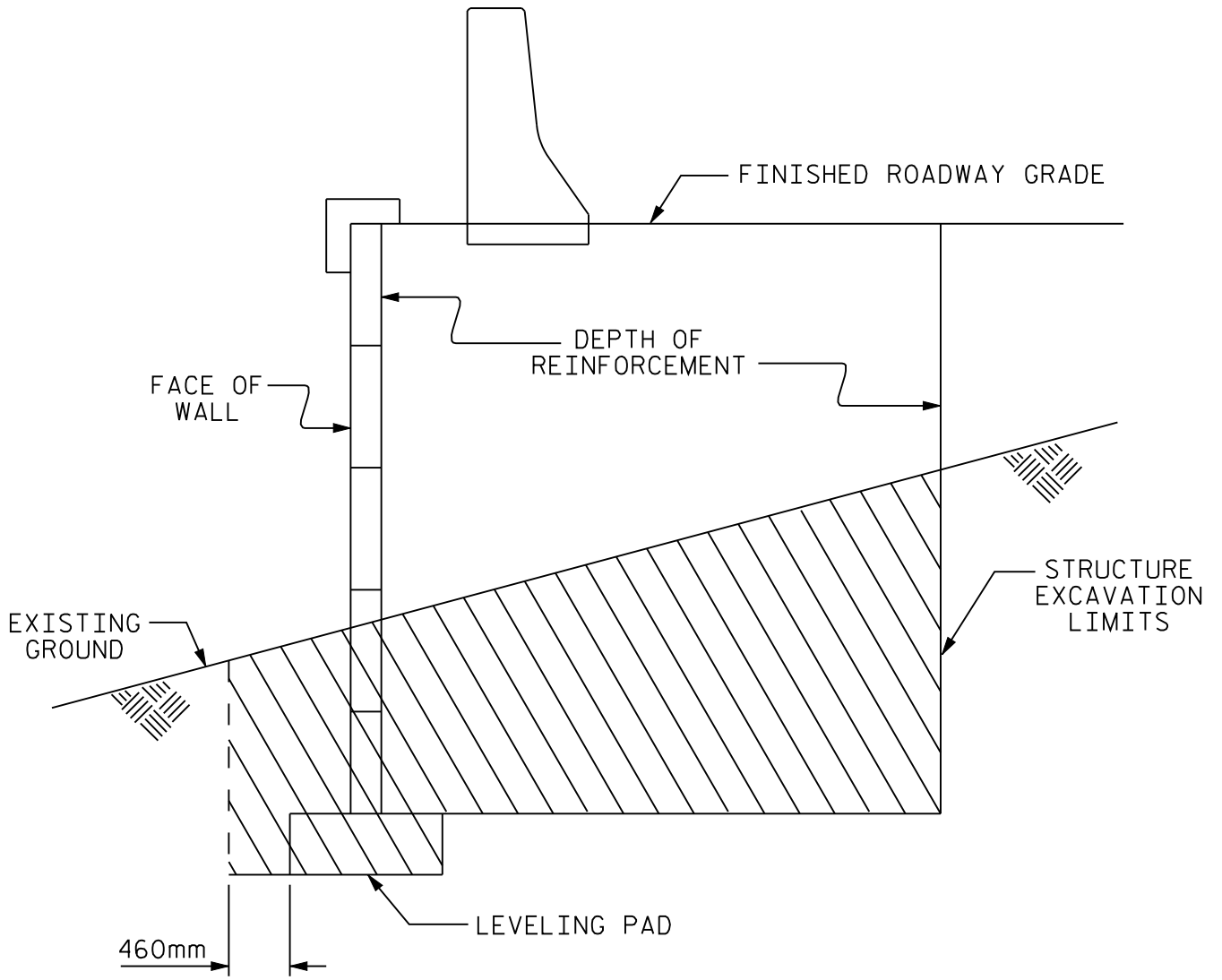


STRUCTURE EXCAVATION LIMITS

(REINFORCED EARTH TYPE WALL)
(FILL SECTION)

FIGURE 12 - 31



STRUCTURE EXCAVATION LIMITS

(REINFORCED EARTH TYPE WALL)
(FILL SECTION)

FIGURE 12 - 31 M