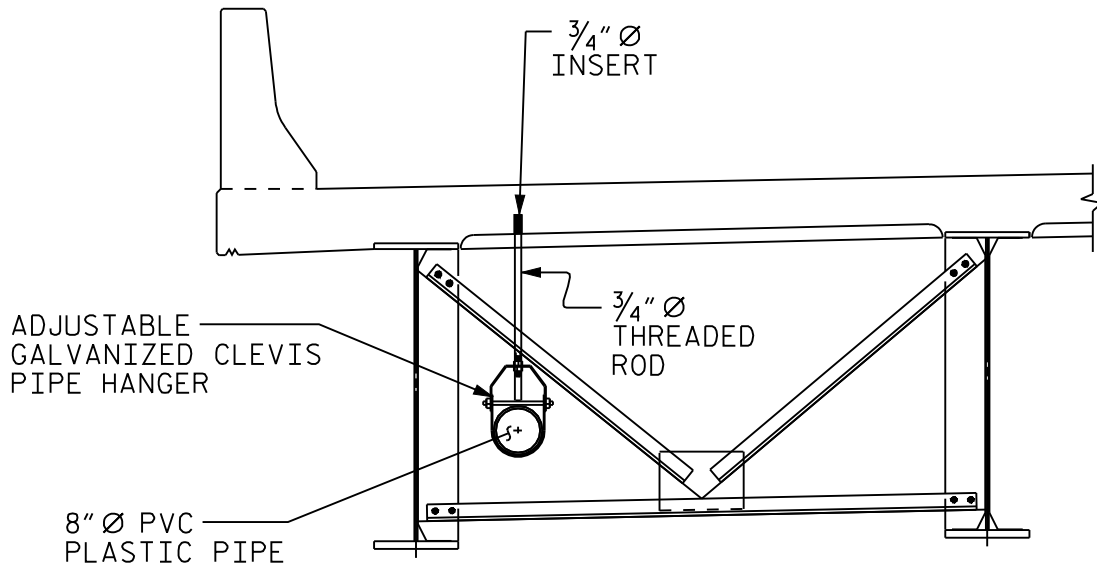


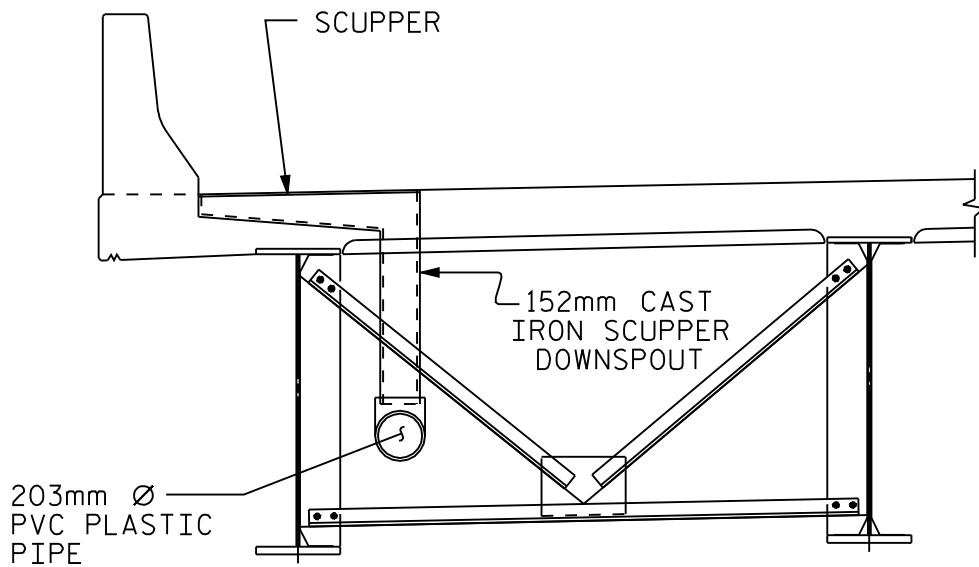
PART-SECTION @ SCUPPER



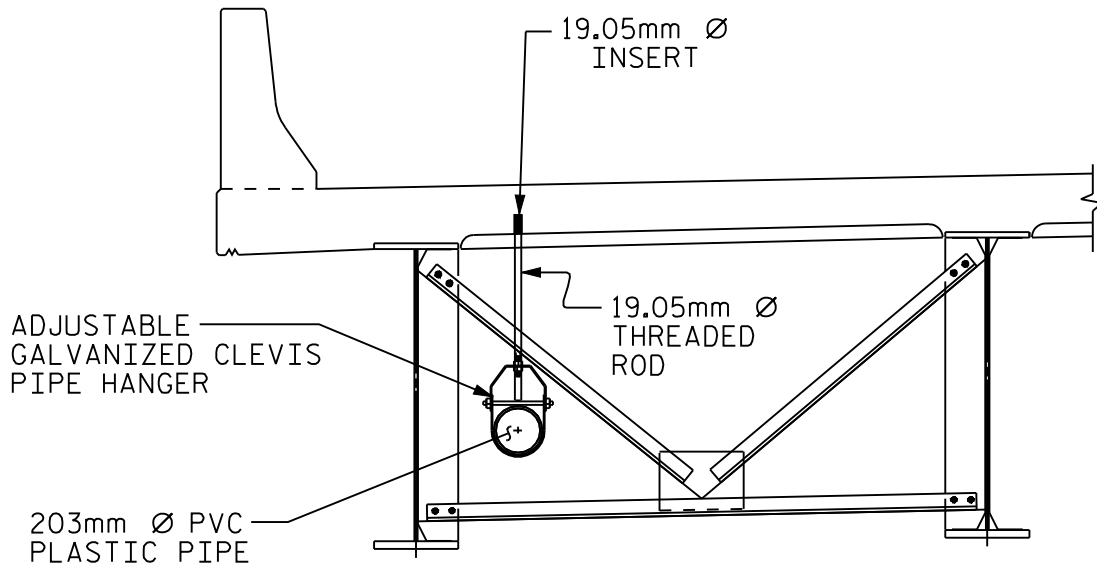
PART-SECTION SHOWING PIPE HANGER

STRUCTURE DRAINAGE SYSTEM DETAILS

FIGURE 12 - 35



PART-SECTION @ SCUPPER



PART-SECTION SHOWING PIPE HANGER

STRUCTURE DRAINAGE SYSTEM DETAILS

FIGURE 12 - 35 M